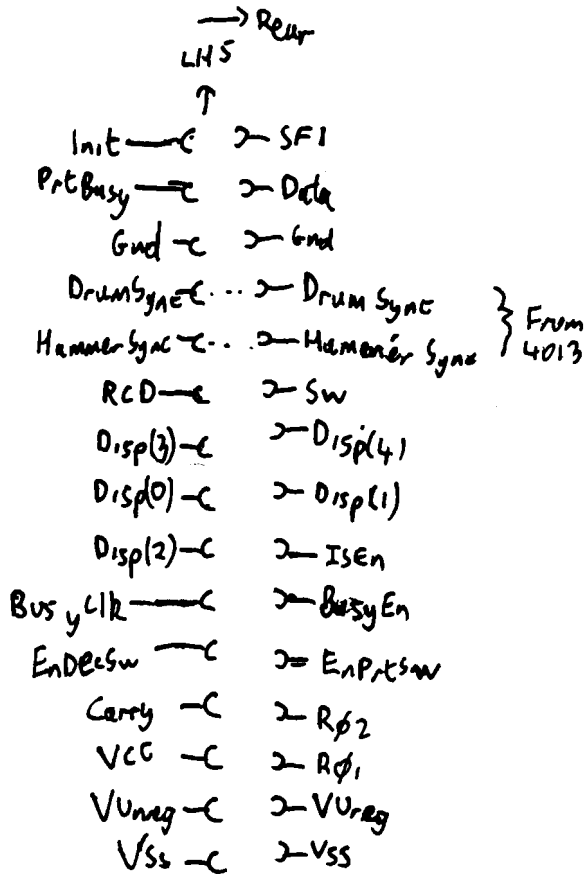
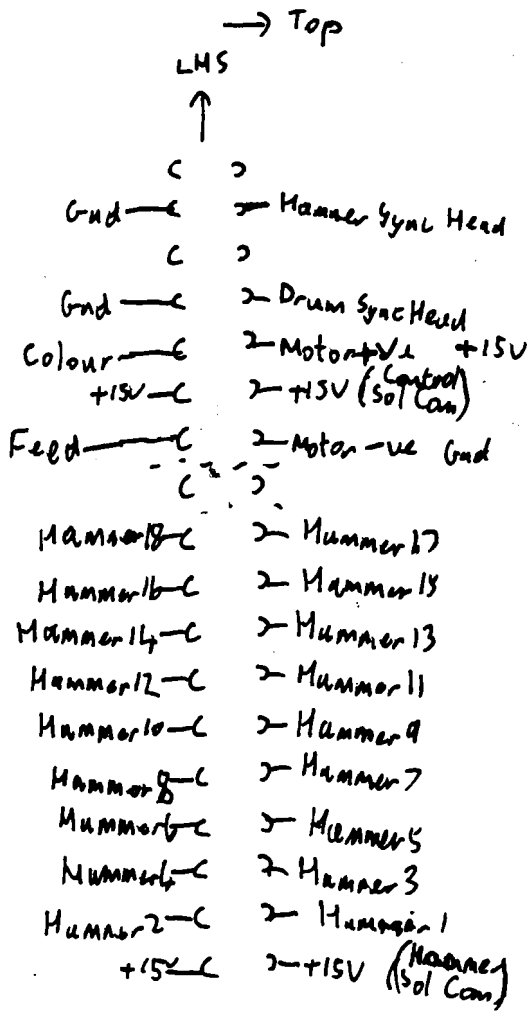


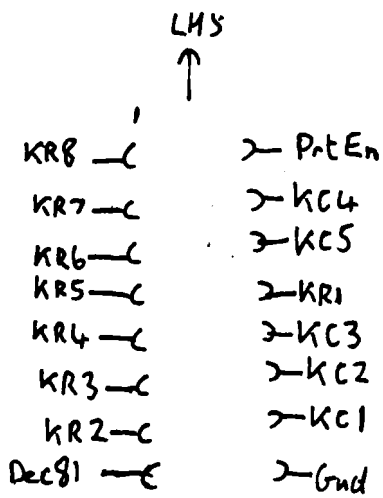
HP46/HP81



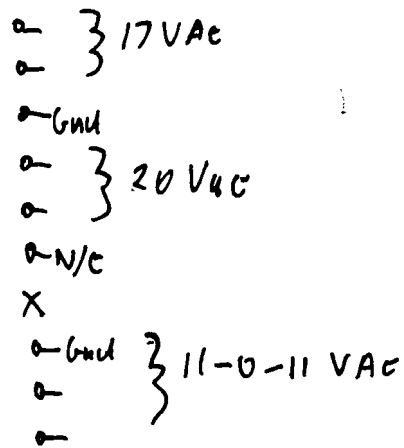
Display PCB



Printer

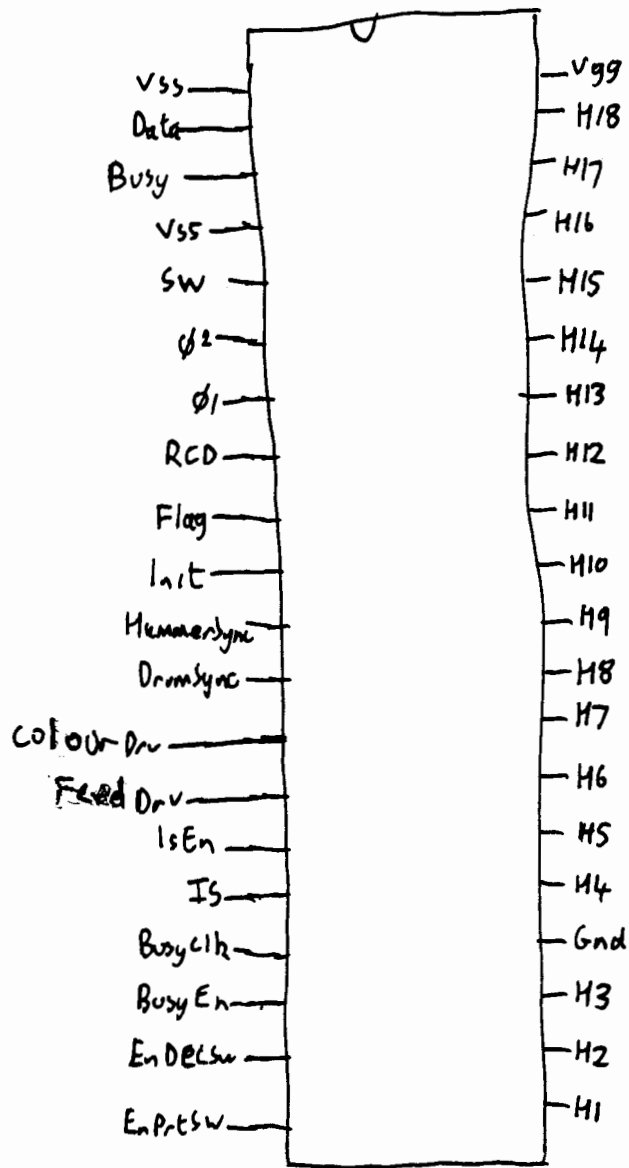


Keyboard



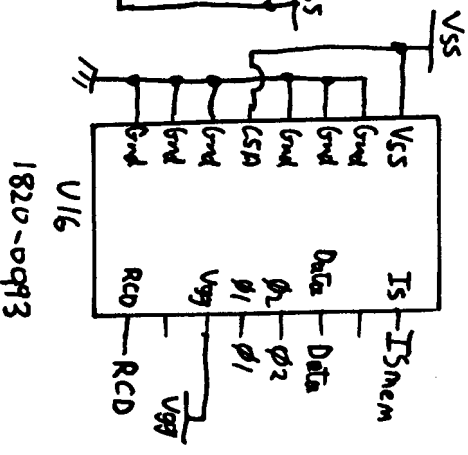
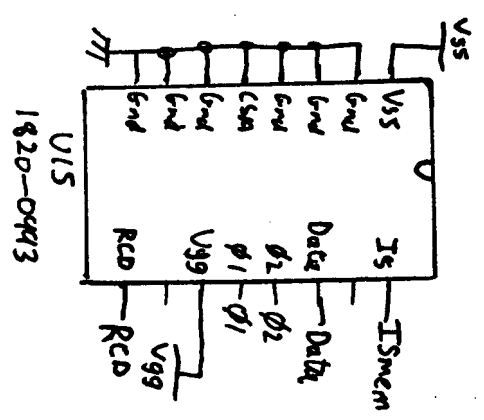
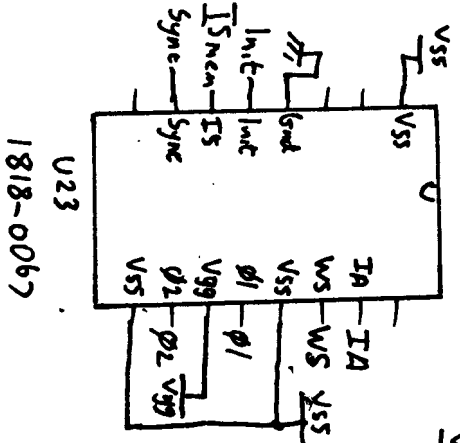
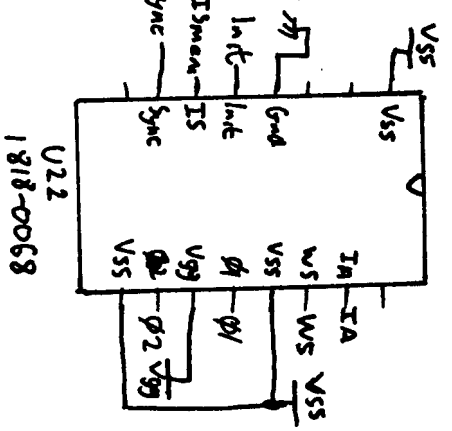
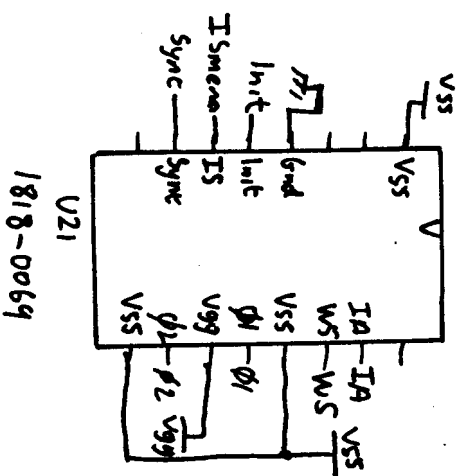
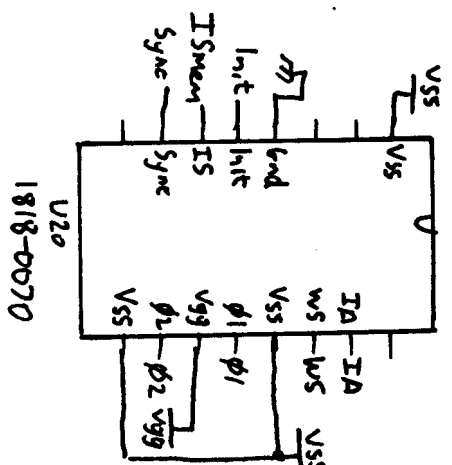
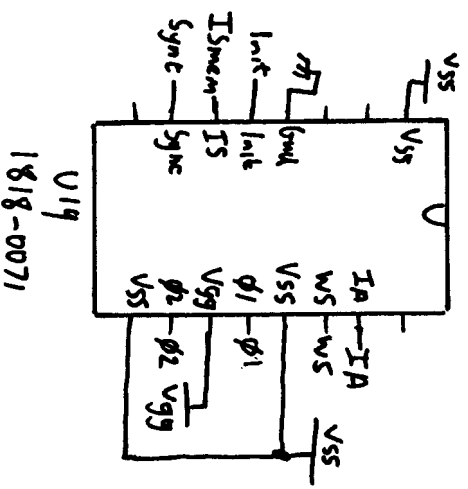
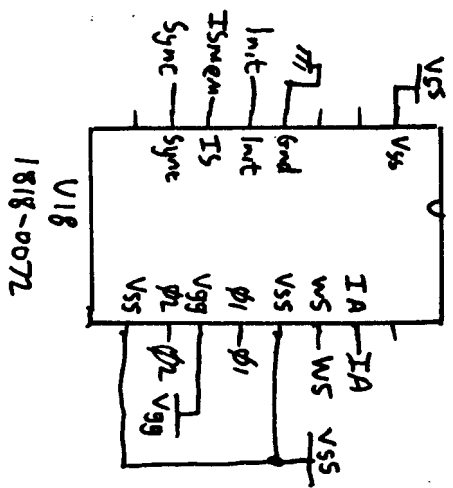
Transformer

MP46 / MP81



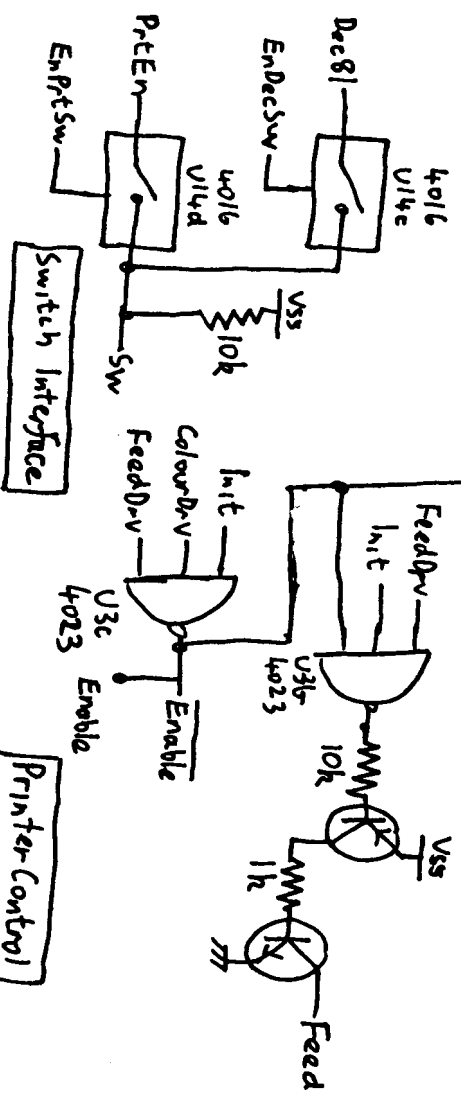
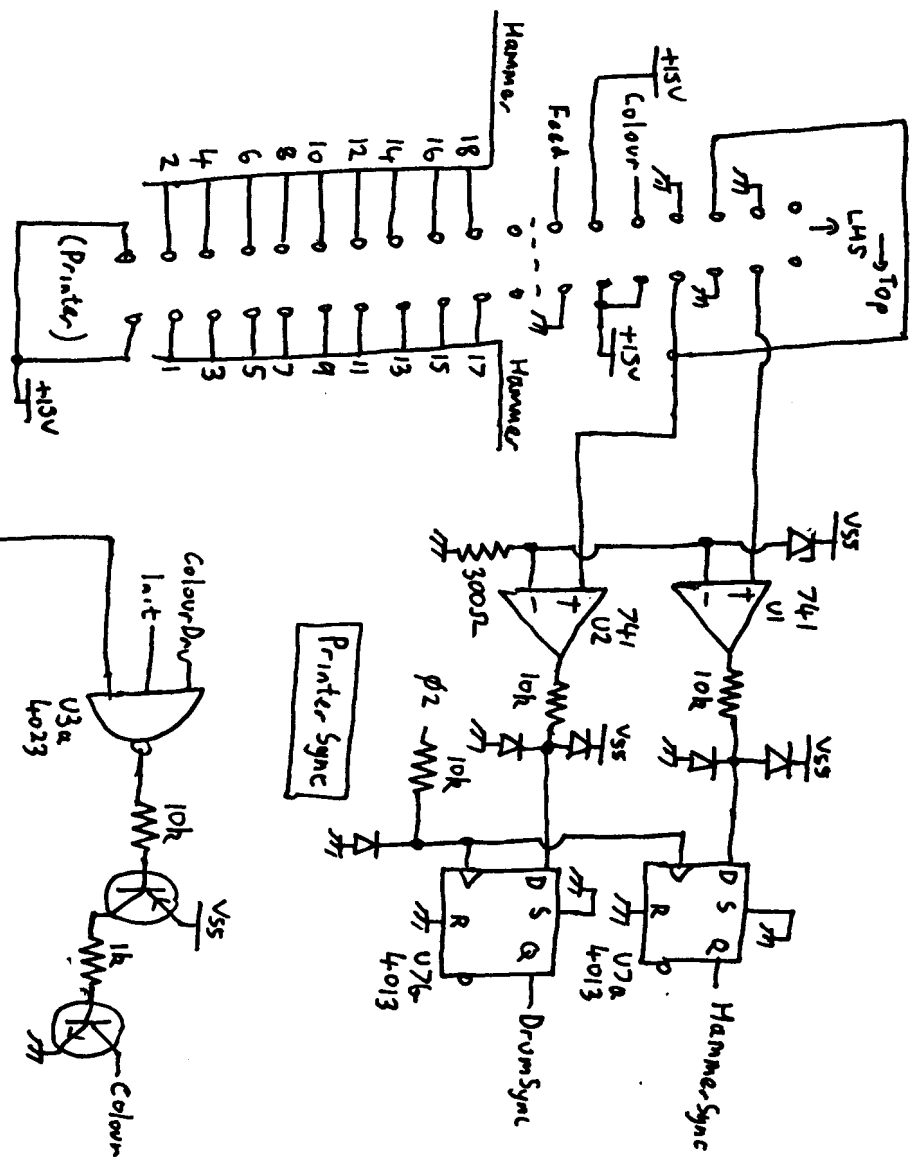
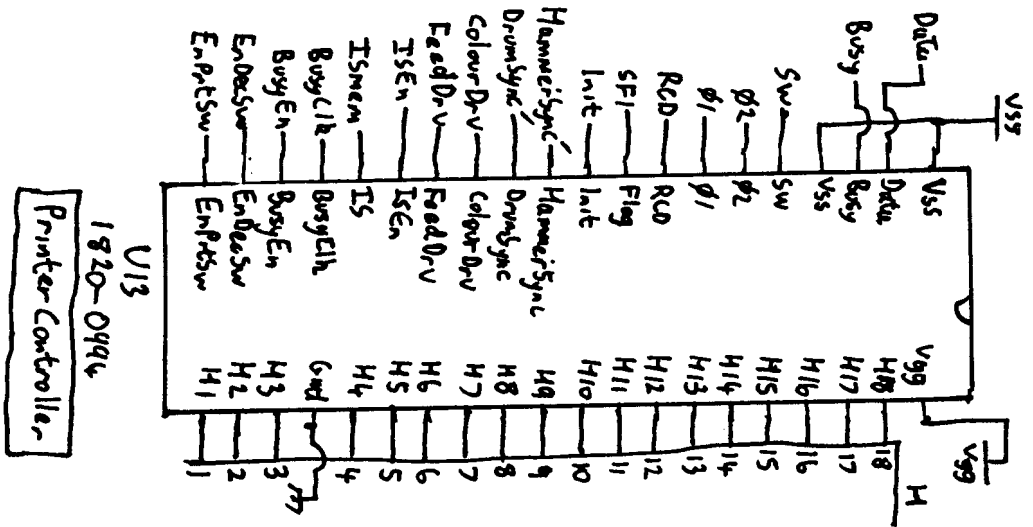
1820-0994

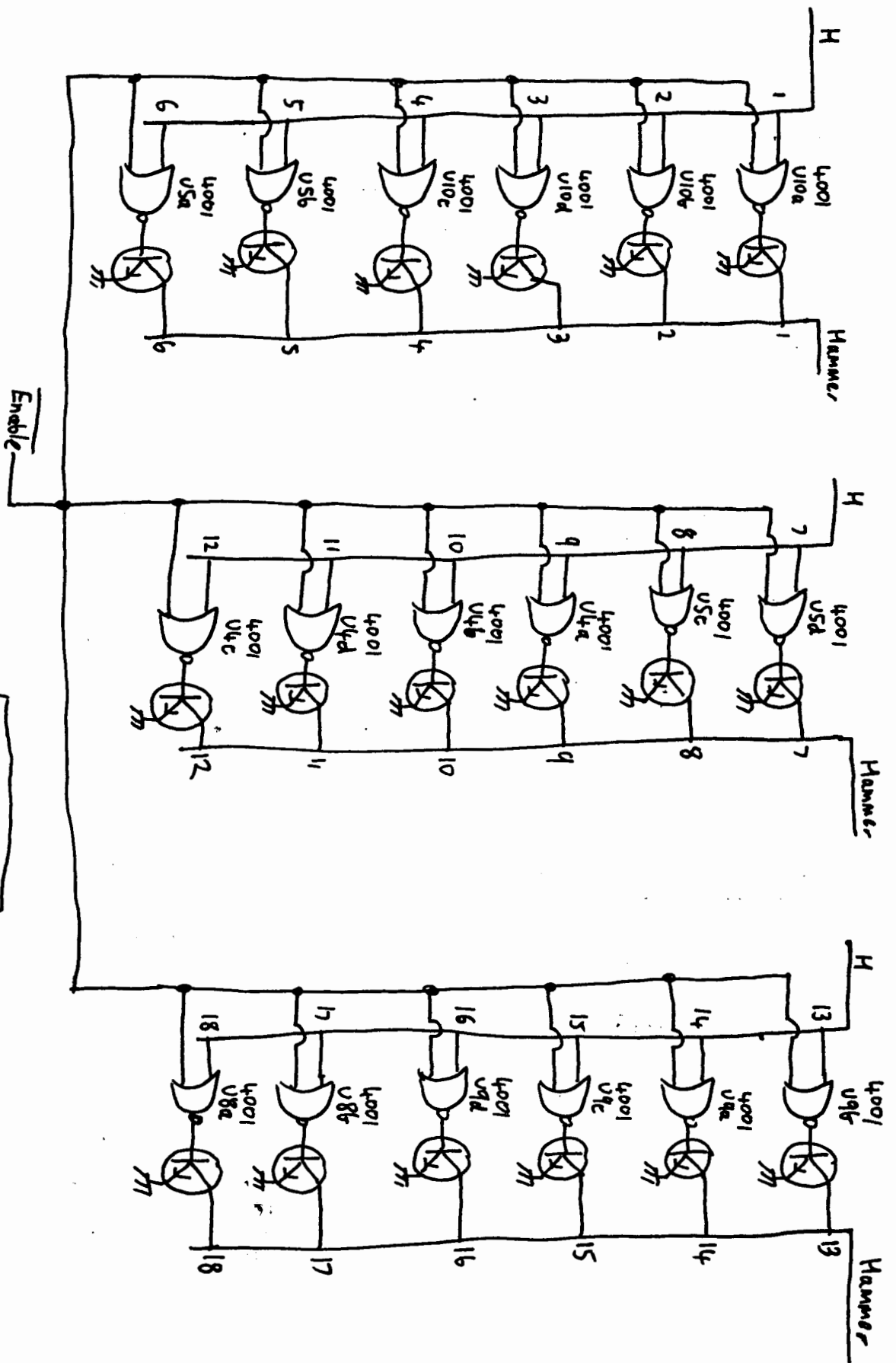
Printer Controller



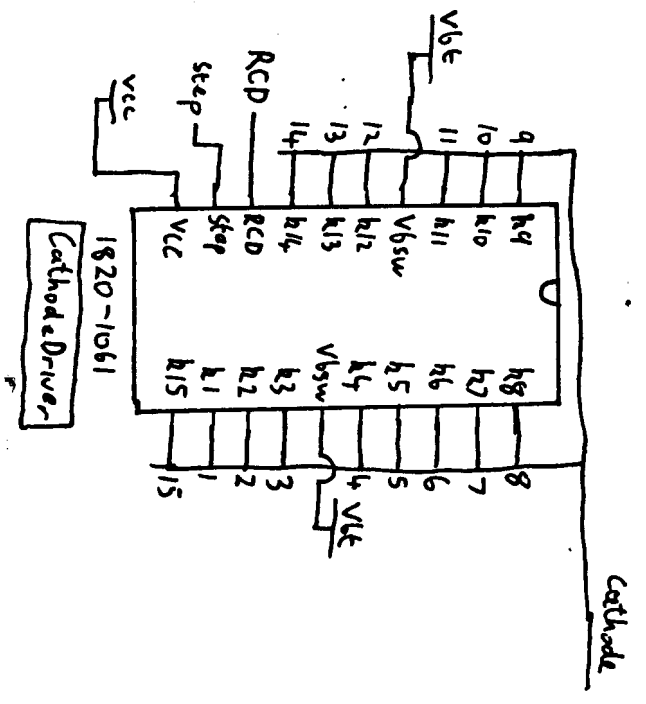
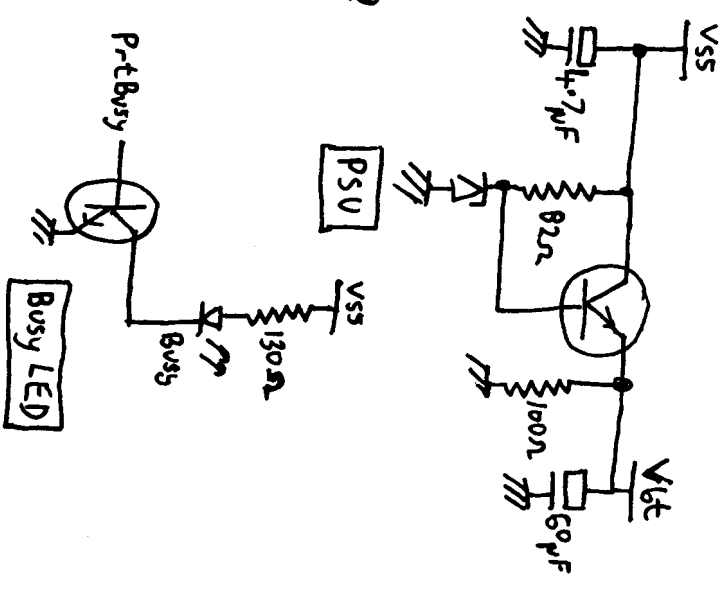
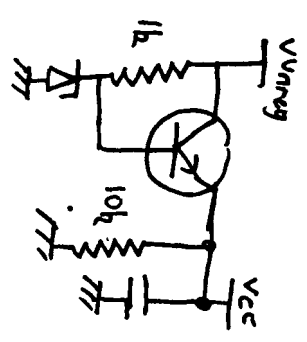
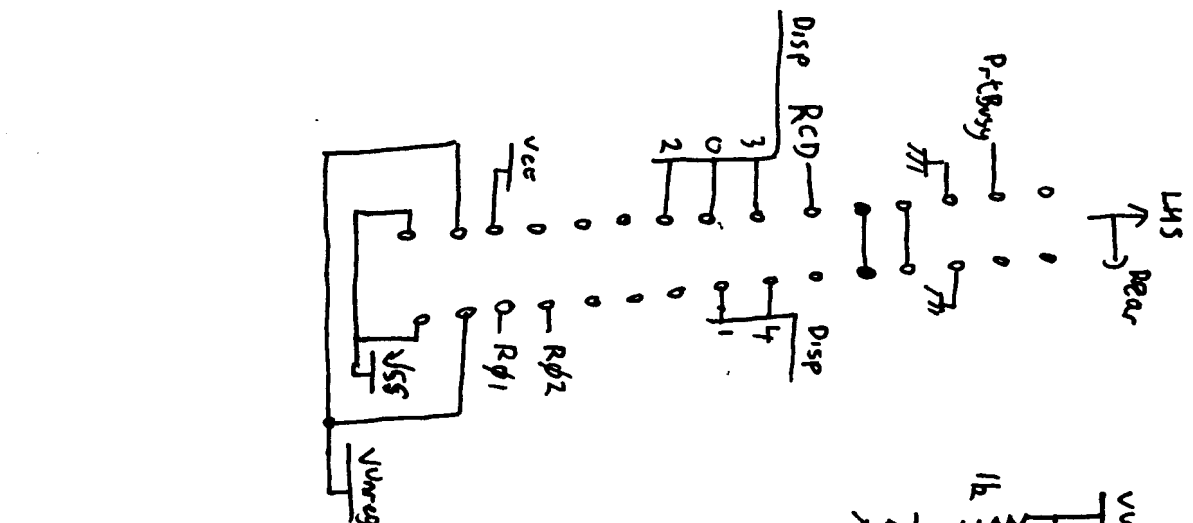
ROM

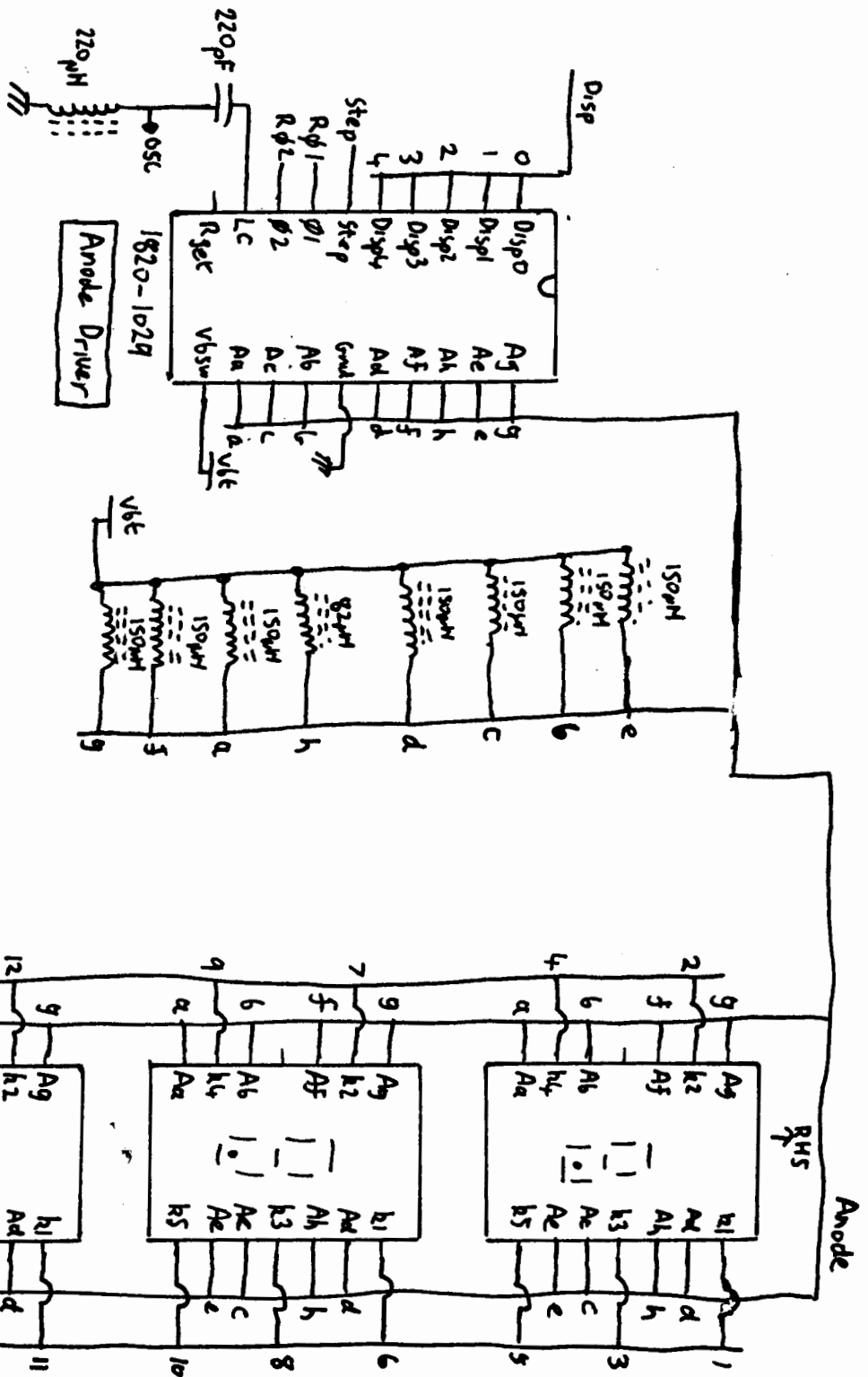
RAM





Hammer Drivers





HP46/HP81 Display PCB Sheet ②

00046-66541

Print Off Report

n	TL
i	SOD
PMT	DAY
PV	%
FV	EXIT()

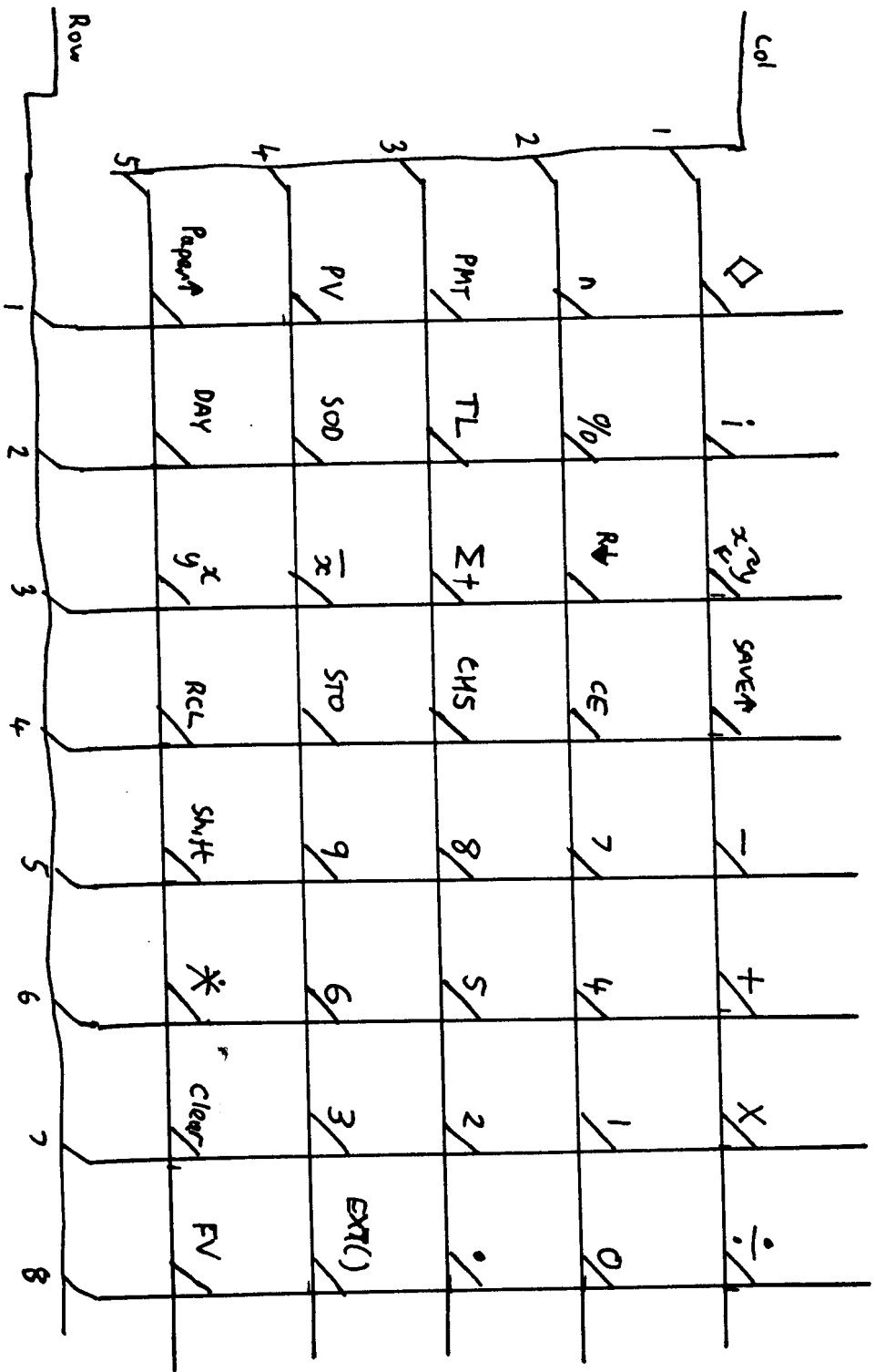
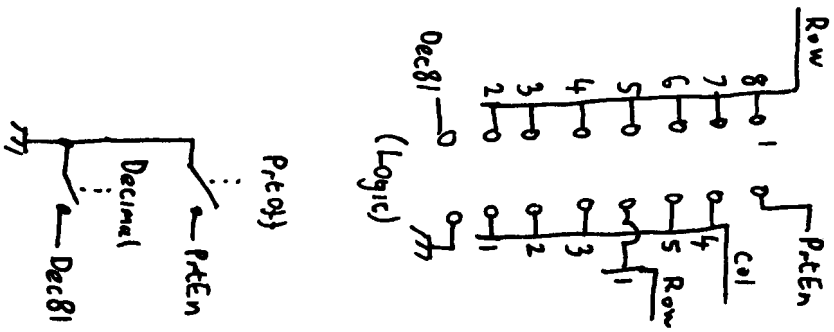
Shift Decimal Clear

CE	CHS	STD	REL
R↓	7	8	9
$\sum_{x=1}^y$	4	5	6
$\sum_{x=1}^y$	1	2	3
$\sum_{x=1}^y$	0	.	

Power

\div	y^x
X	\bar{I}
-	$\Sigma+$
+	\diamond
	*

HP81 Keypads

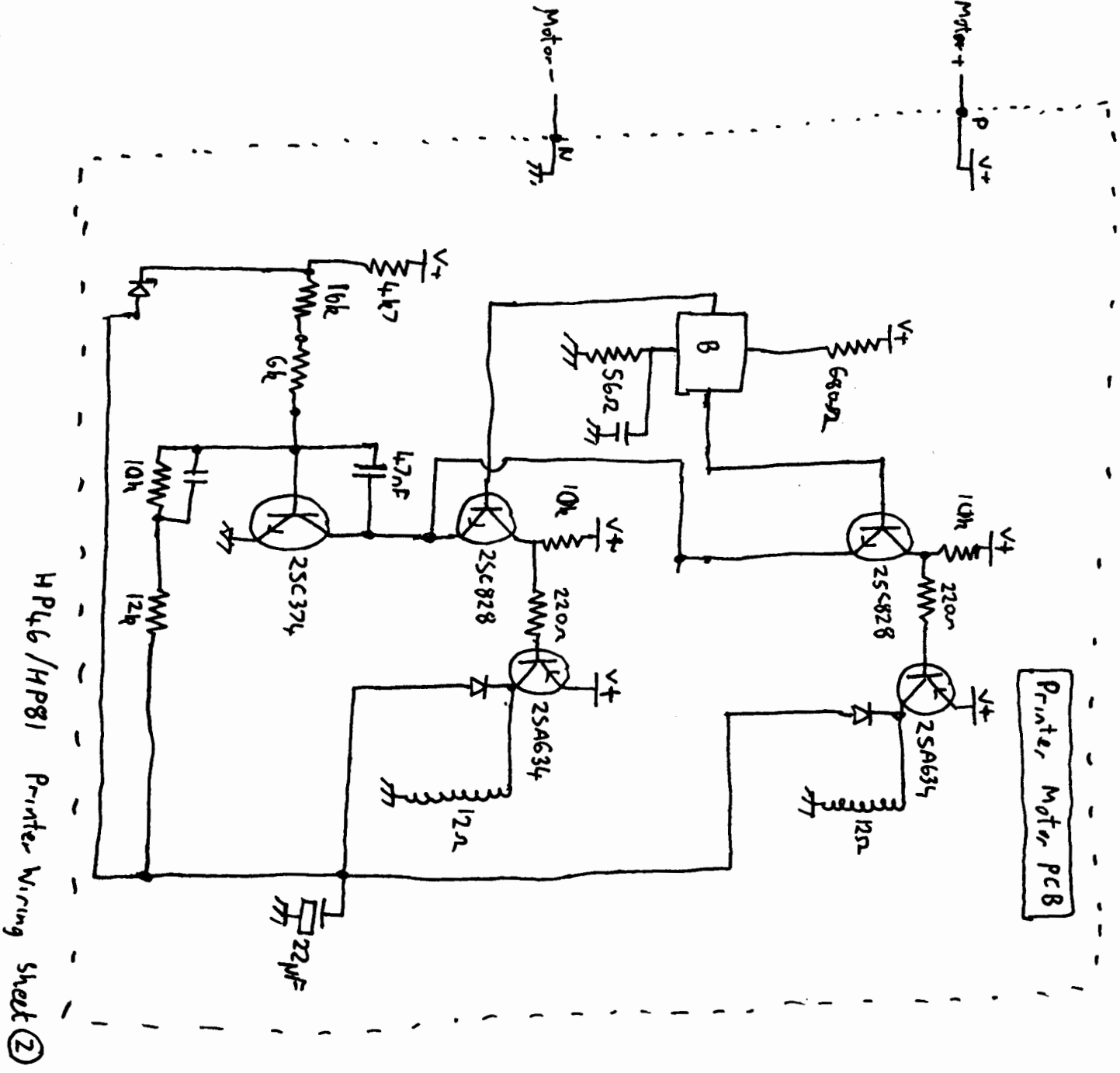


HP81 Keyboard

00081-66530

HP81 Printer Drum

S	M	N	F	Y	R	S	L	R	I	S	E	W	A	T	S	M	T
A	0	0	0	0	0	0	0	0	0	0	0	0	0	0	0	0	0
B	1	1	1	1	1	1	1	1	1	1	1	1	1	1	1	1	1
D	2	2	2	2	2	2	2	2	2	2	2	2	2	2	2	2	2
P	3	3	3	3	3	3	3	3	3	3	3	3	3	3	3	3	3
M	5	5	5	5	5	5	5	5	5	5	5	5	5	5	5	5	5
Q	6	6	6	6	6	6	6	6	6	6	6	6	6	6	6	6	6
G	7	7	7	7	7	7	7	7	7	7	7	7	7	7	7	7	7
X	8	8	8	8	8	8	8	8	8	8	8	8	8	8	8	8	8
-	9	9	9	9	9	9	9	9	9	9	9	9	9	9	9	9	9
I	F	0	C	T	0	0	0	0	0	0	0	0	0	0	0	0	0
N	P	A	R	V	I	E	C	D	E	D	C	V	E	L	R	P	%



HP46/HP81 Printer Wiring sheet 2

