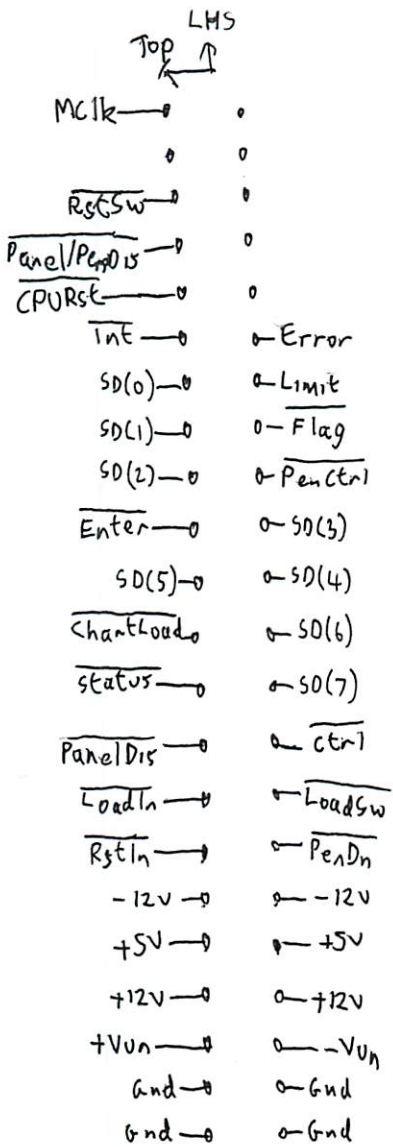
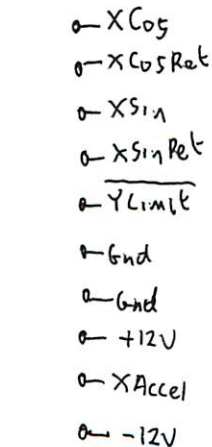
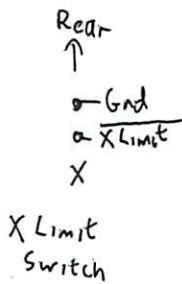


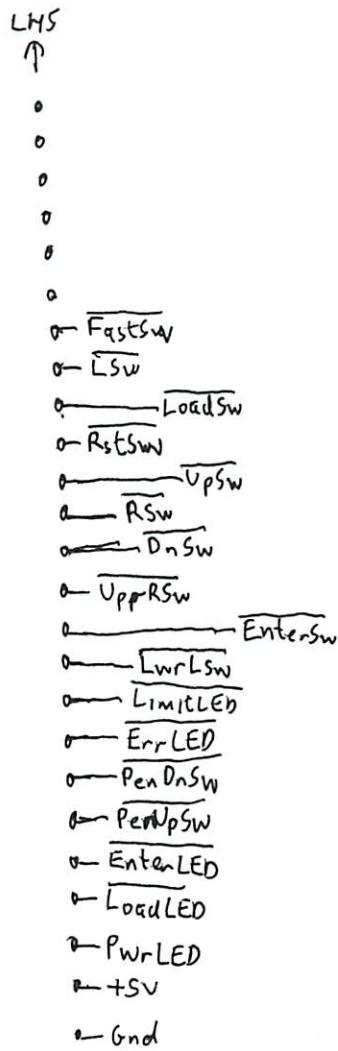
HP7225B



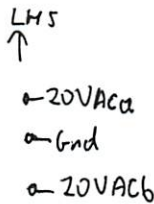
Interface PCB



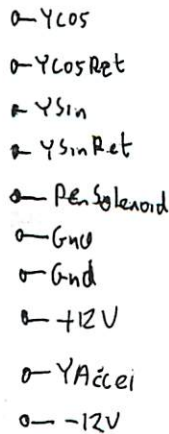
X Motor



Control Panel PCB



Transformer Secondary

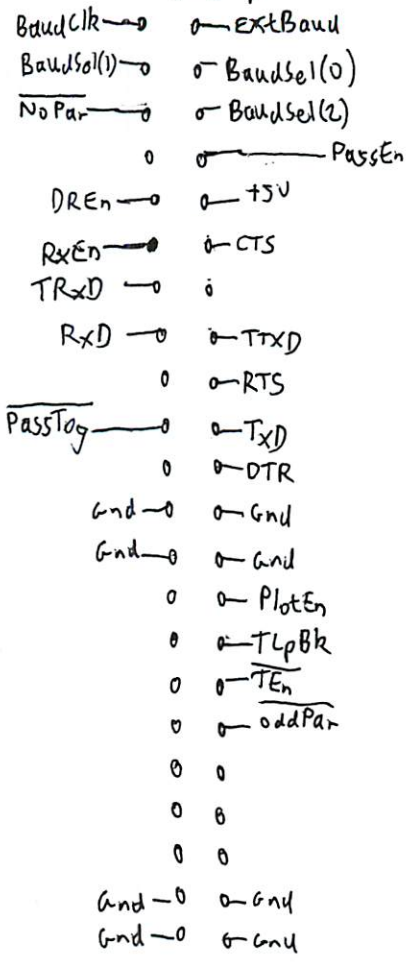


Y Motor

HP7225B

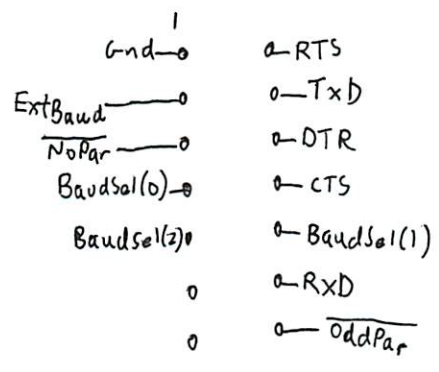
LHS

↑ → Top

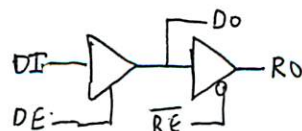
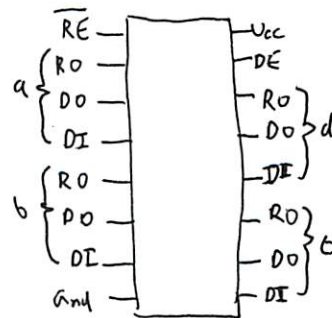
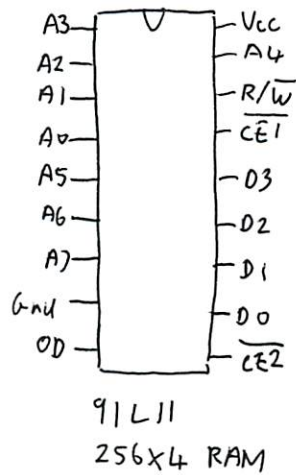
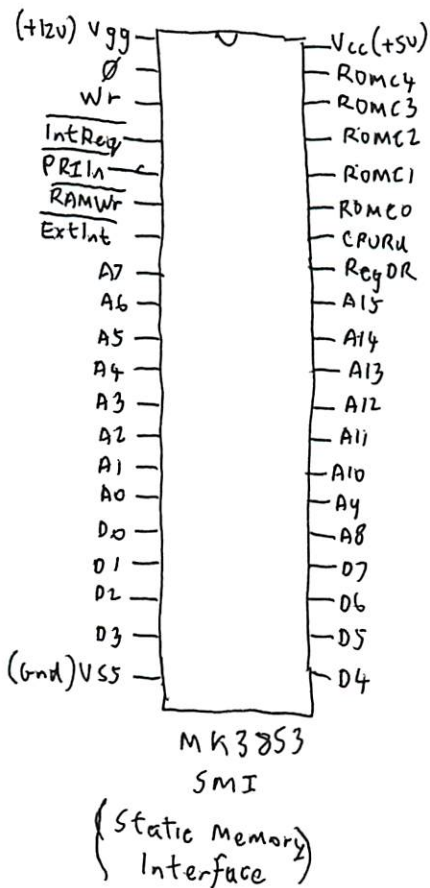
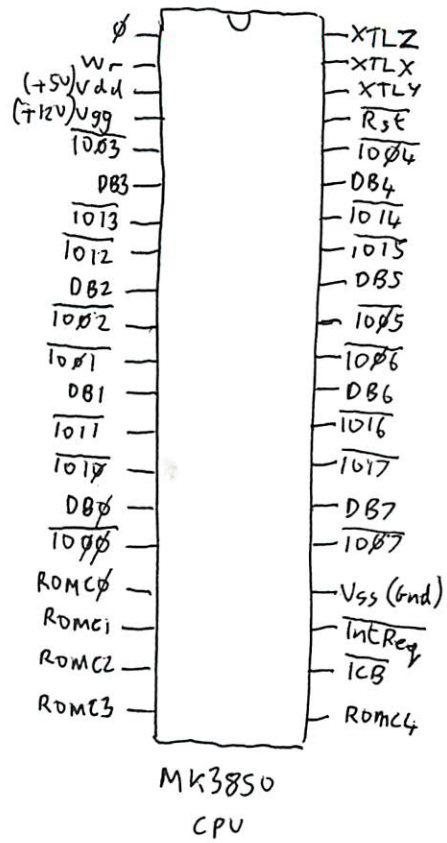
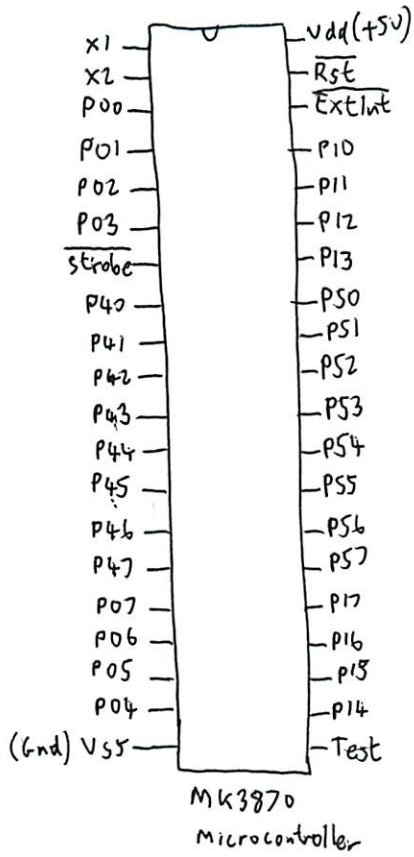


RS232 PCB

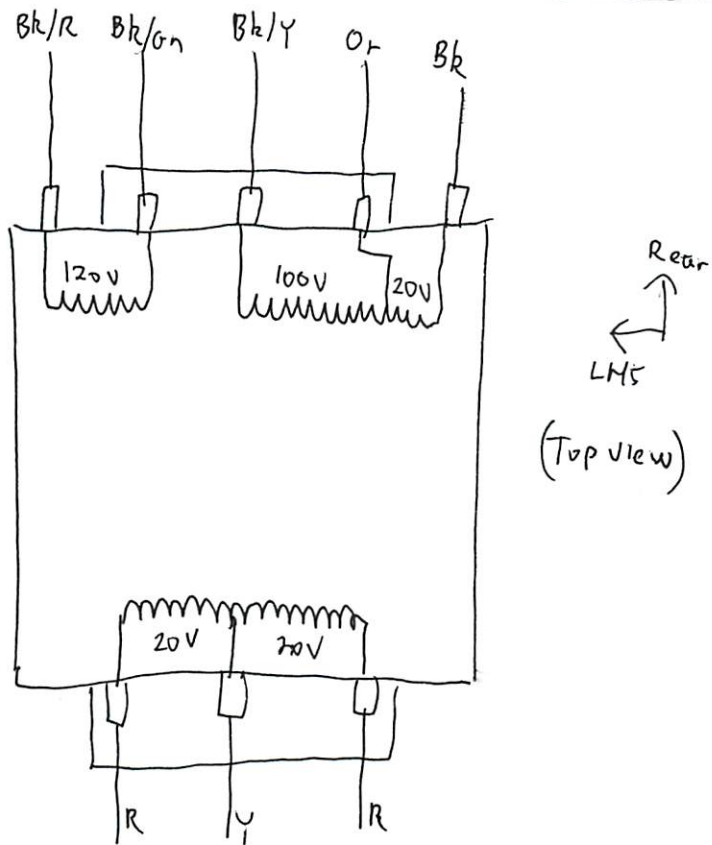
Y Adaptor

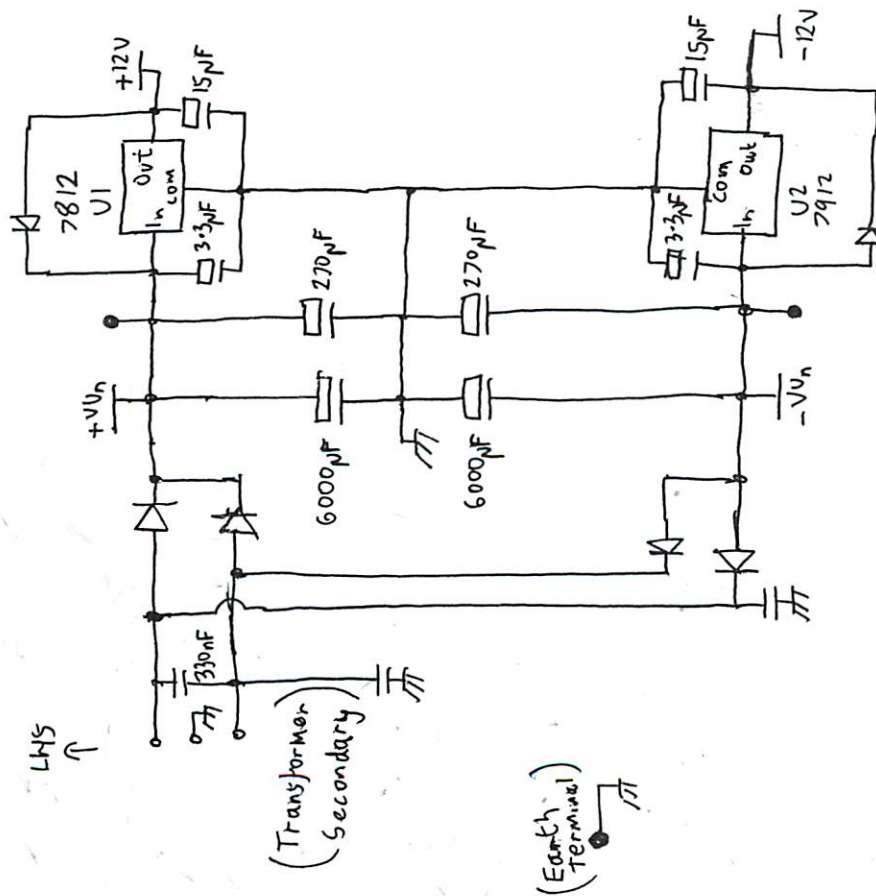


RS232
Connector PCB

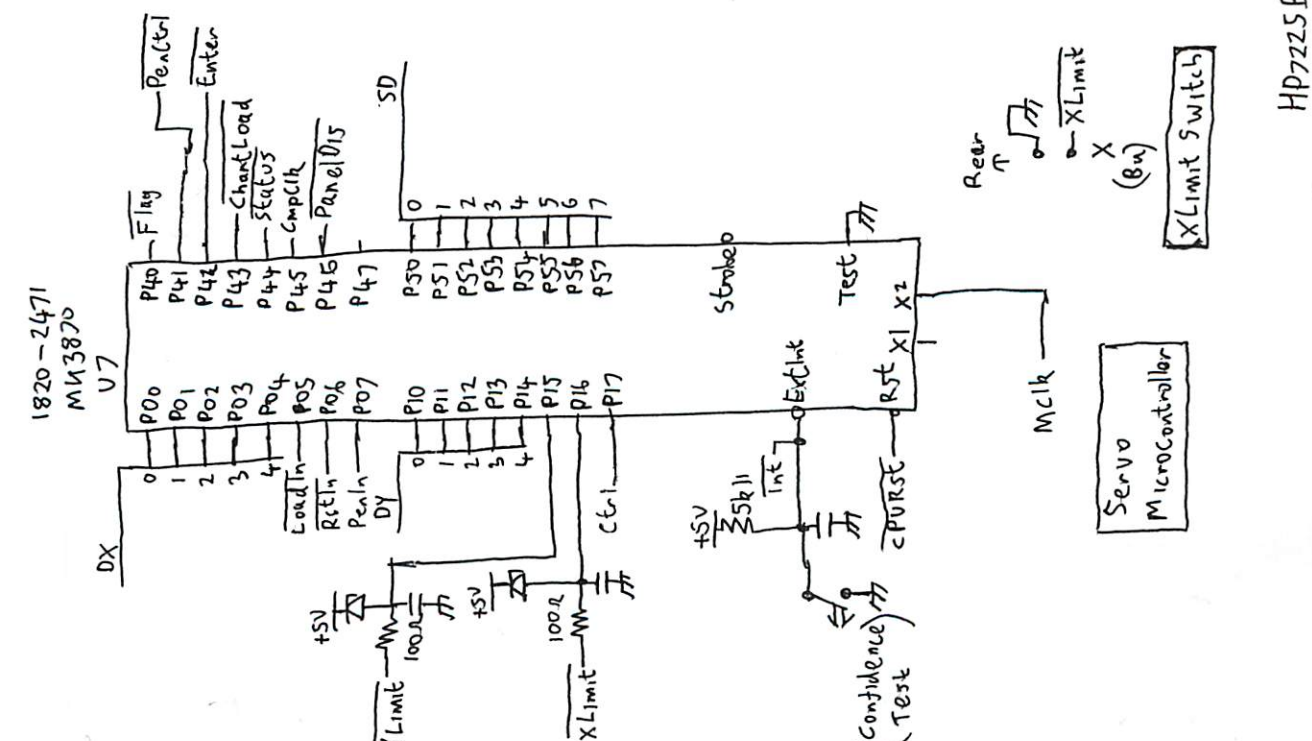
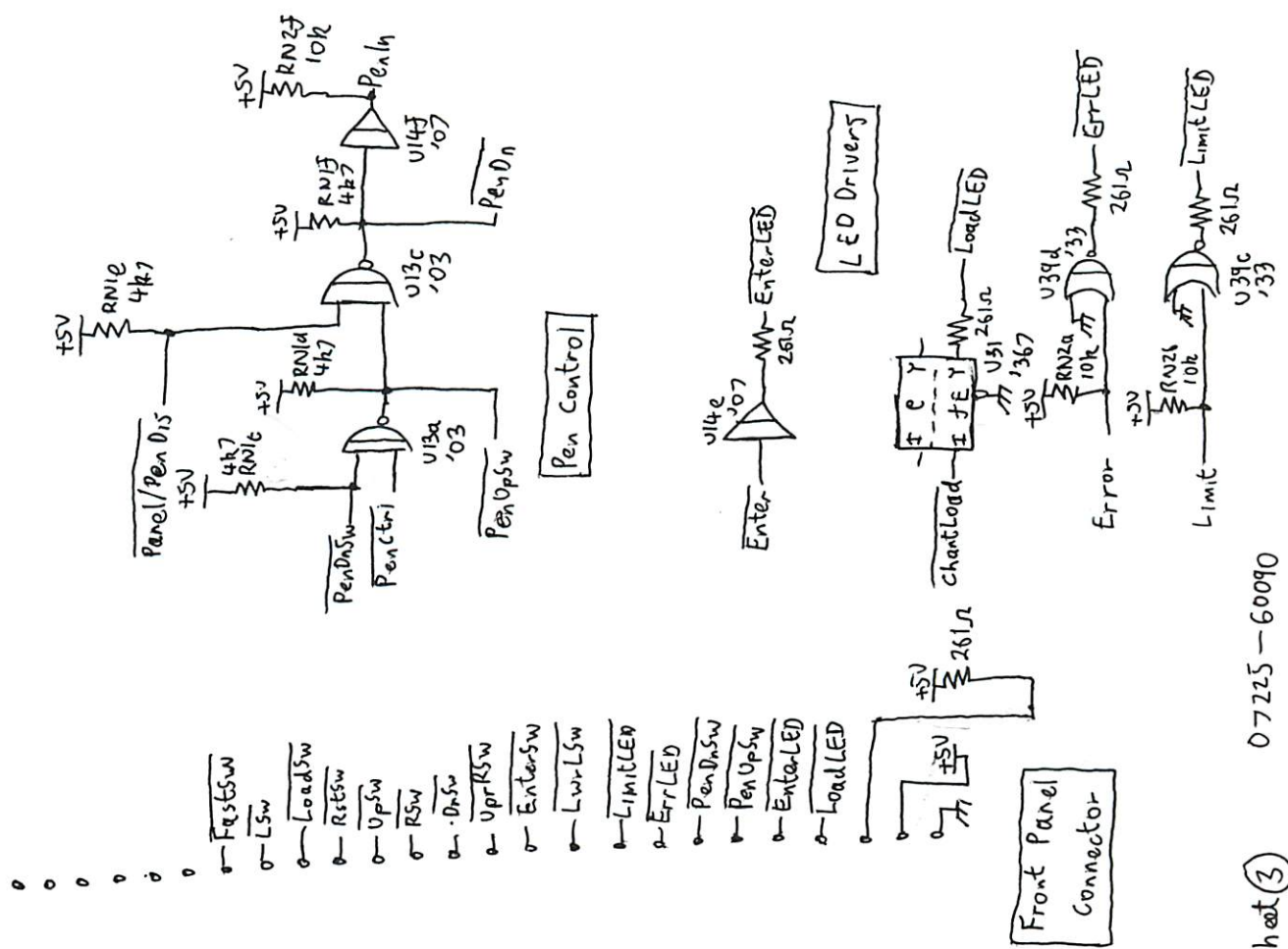


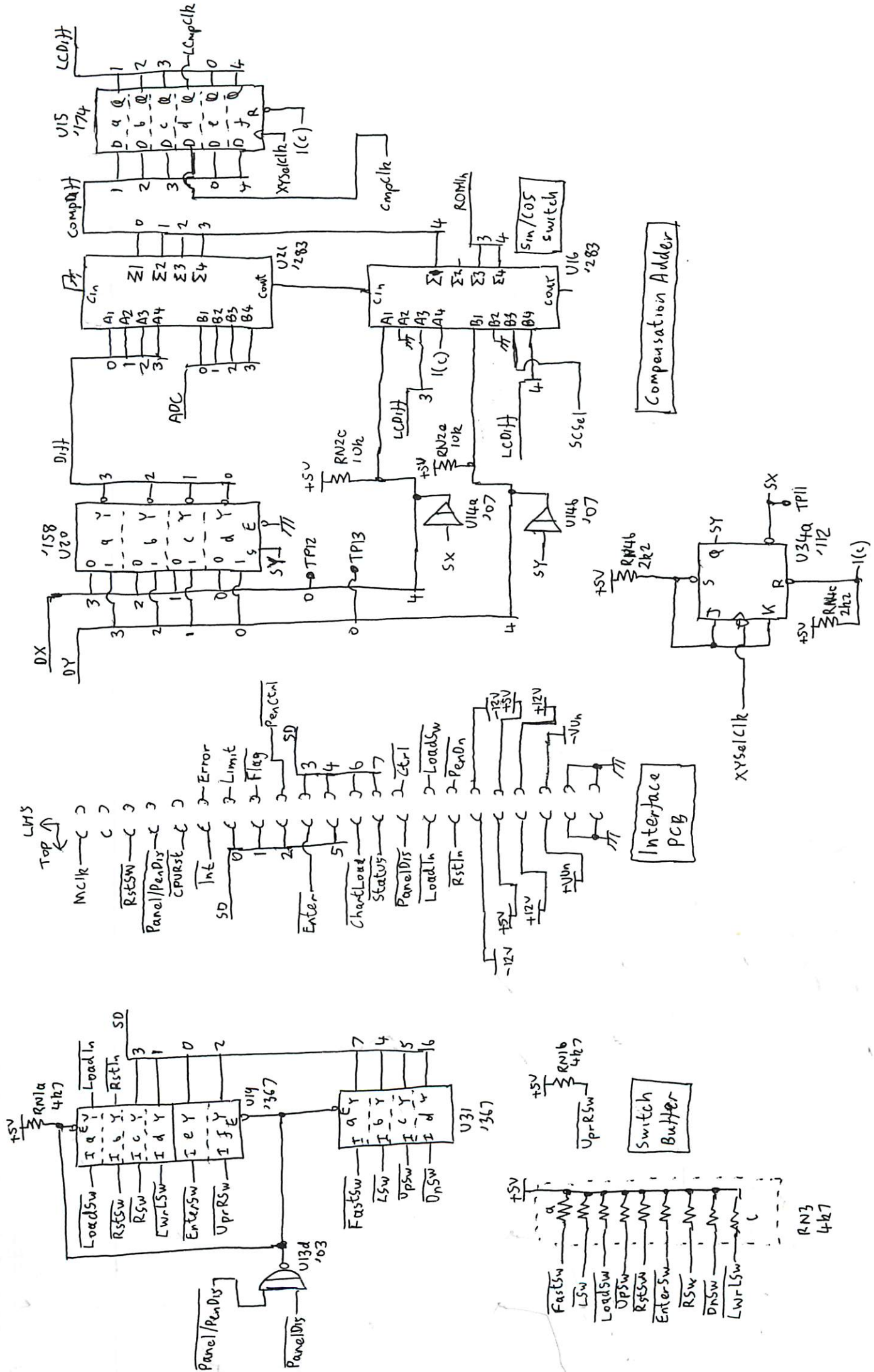
HP7225B Mains Transformer (9100-4156)

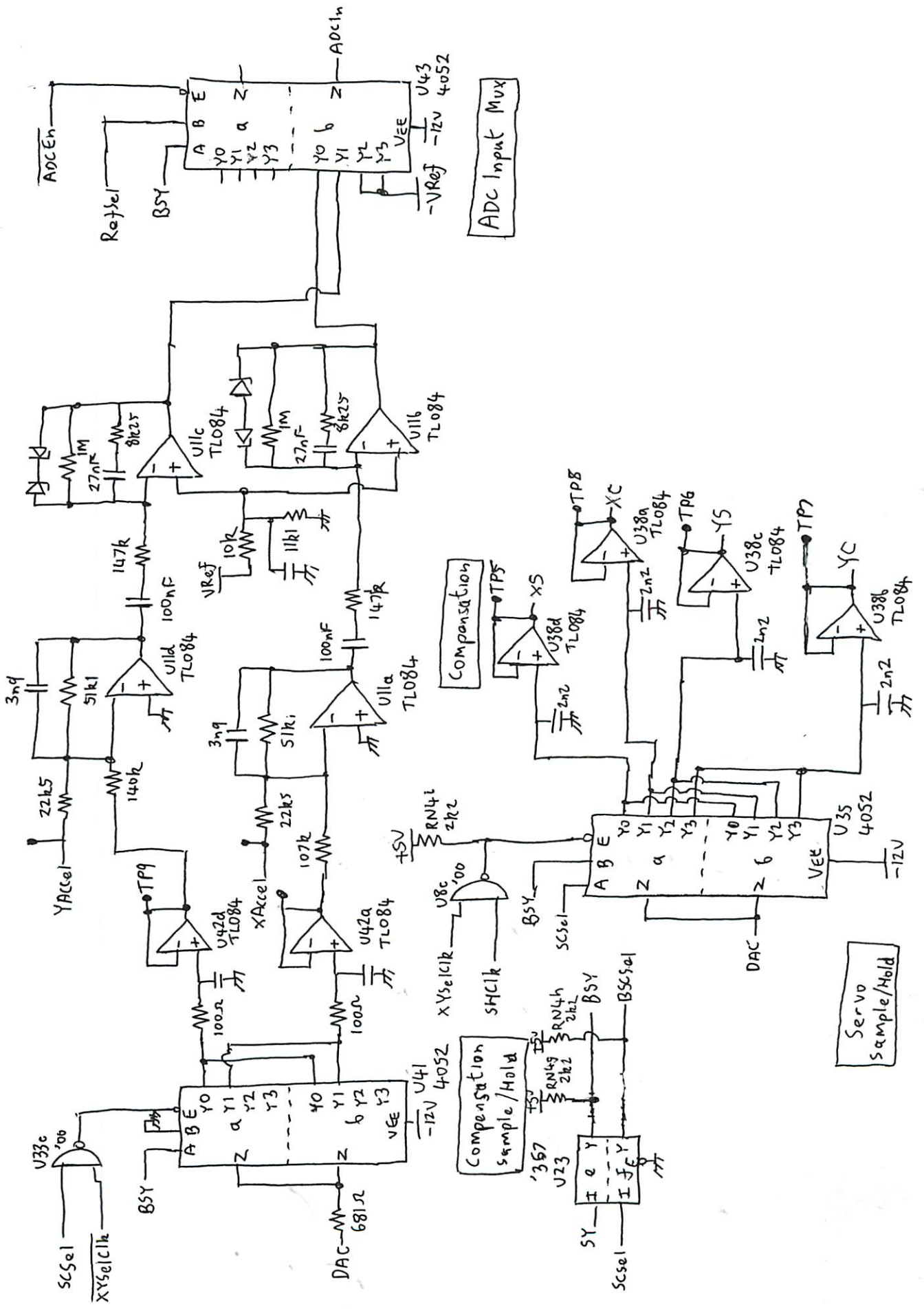


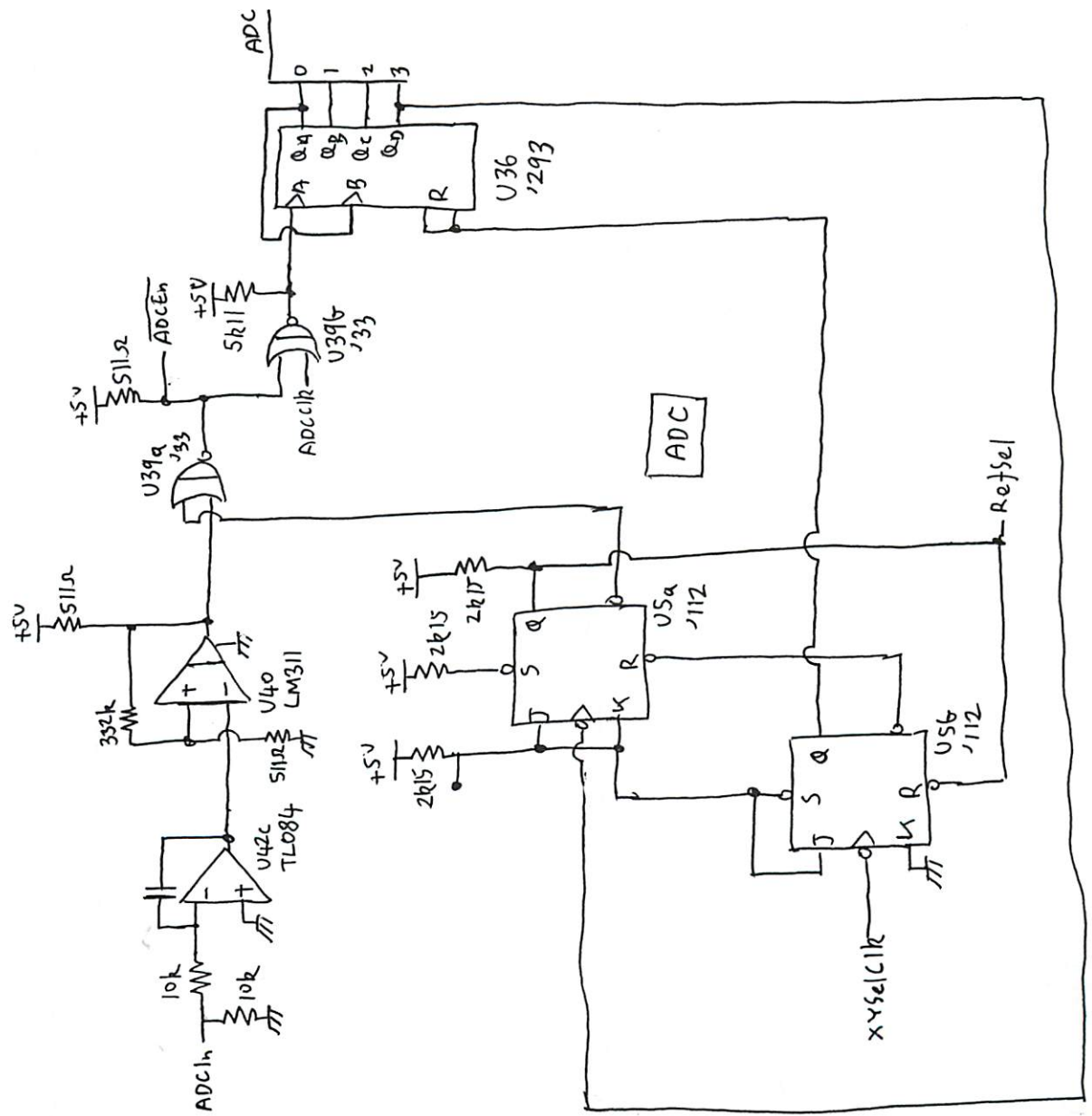


LHS ↑

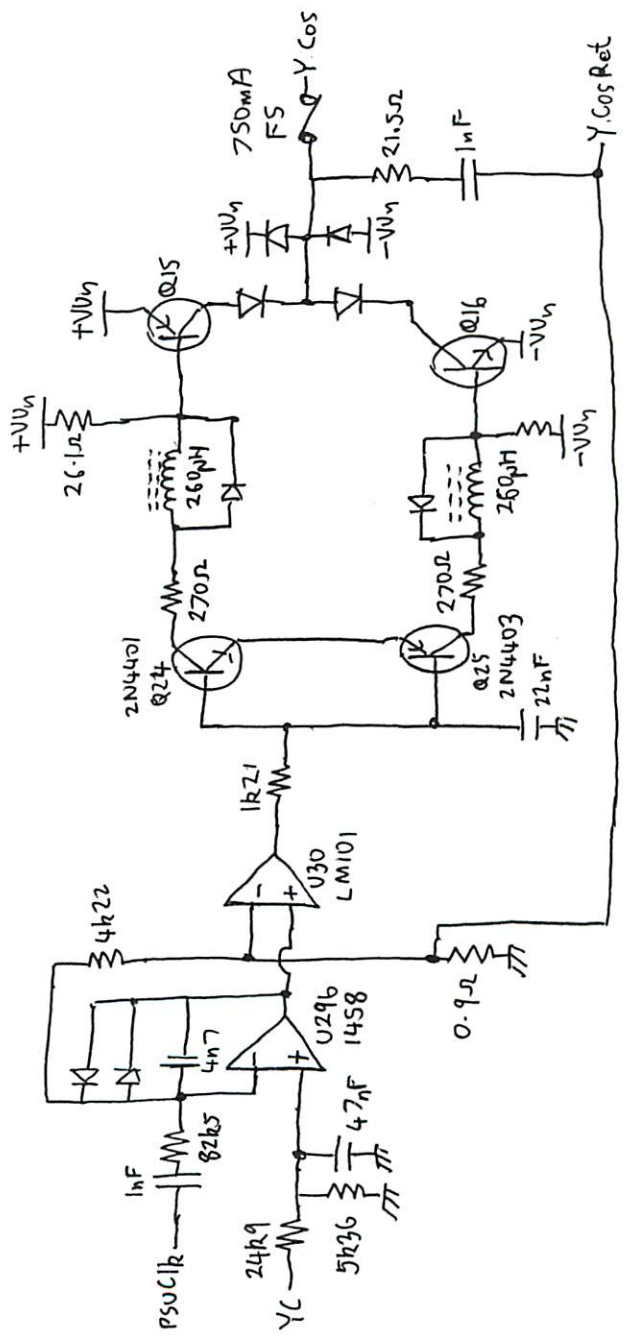
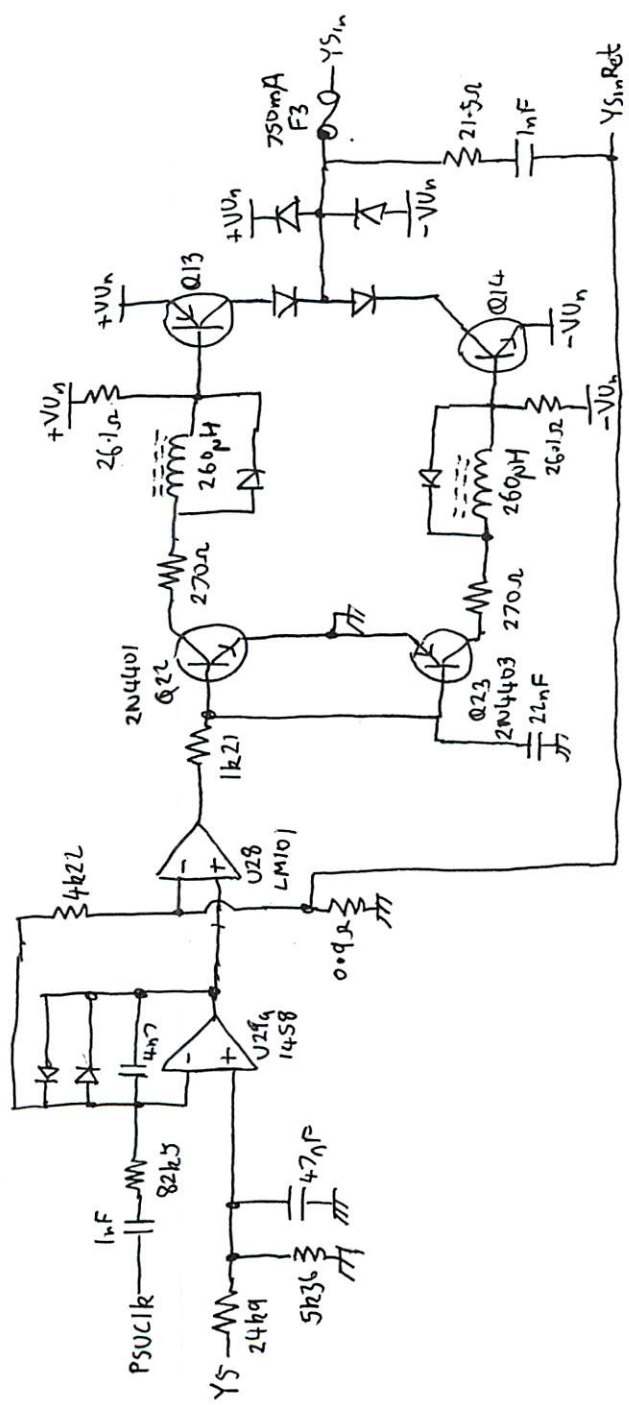
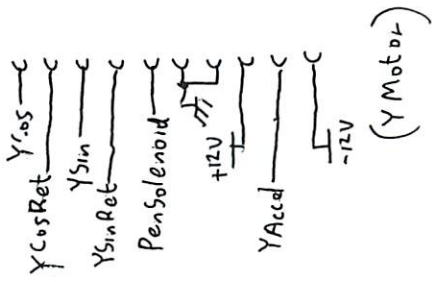








Y Motor Driver



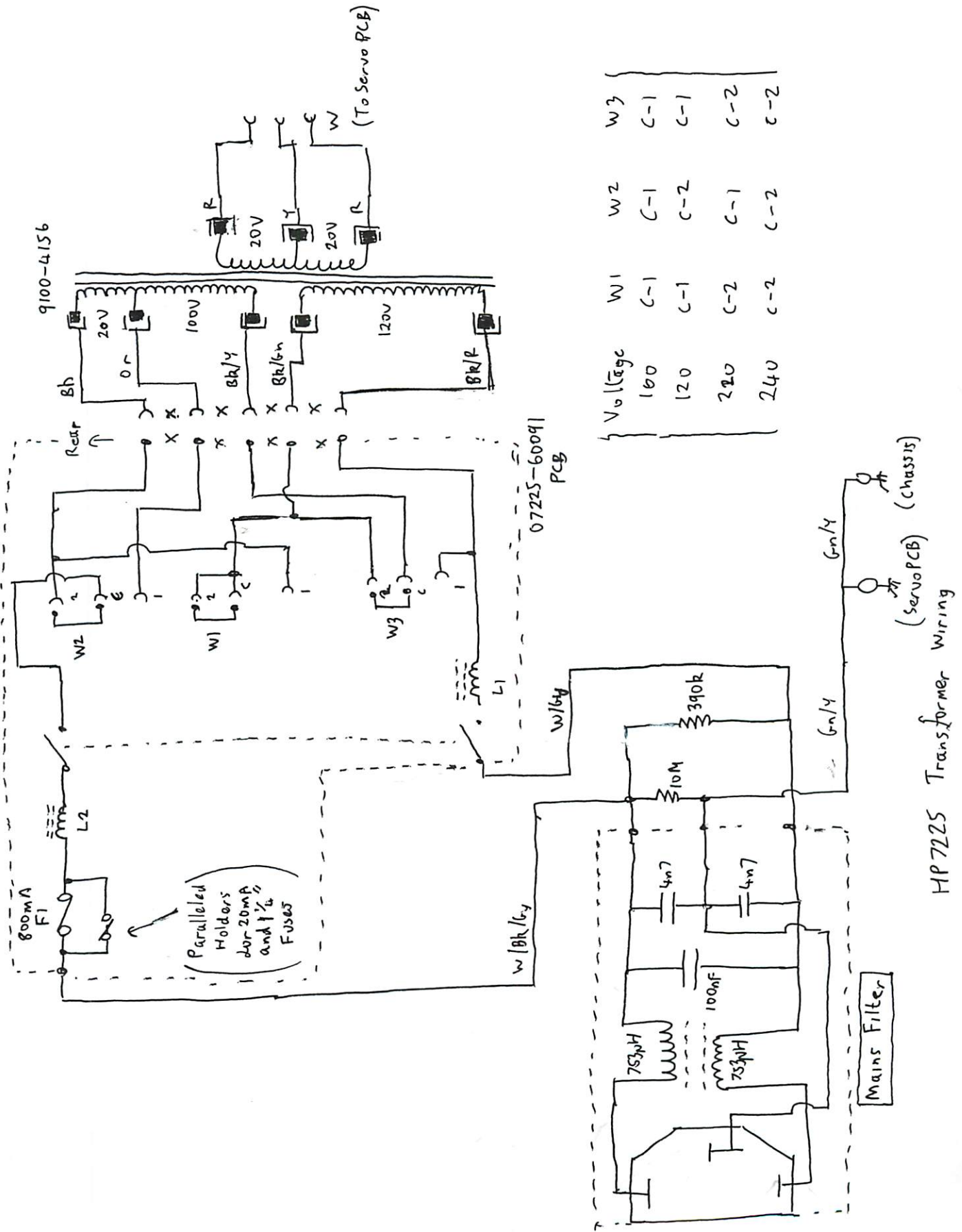
Reset	Chart Load
-------	------------

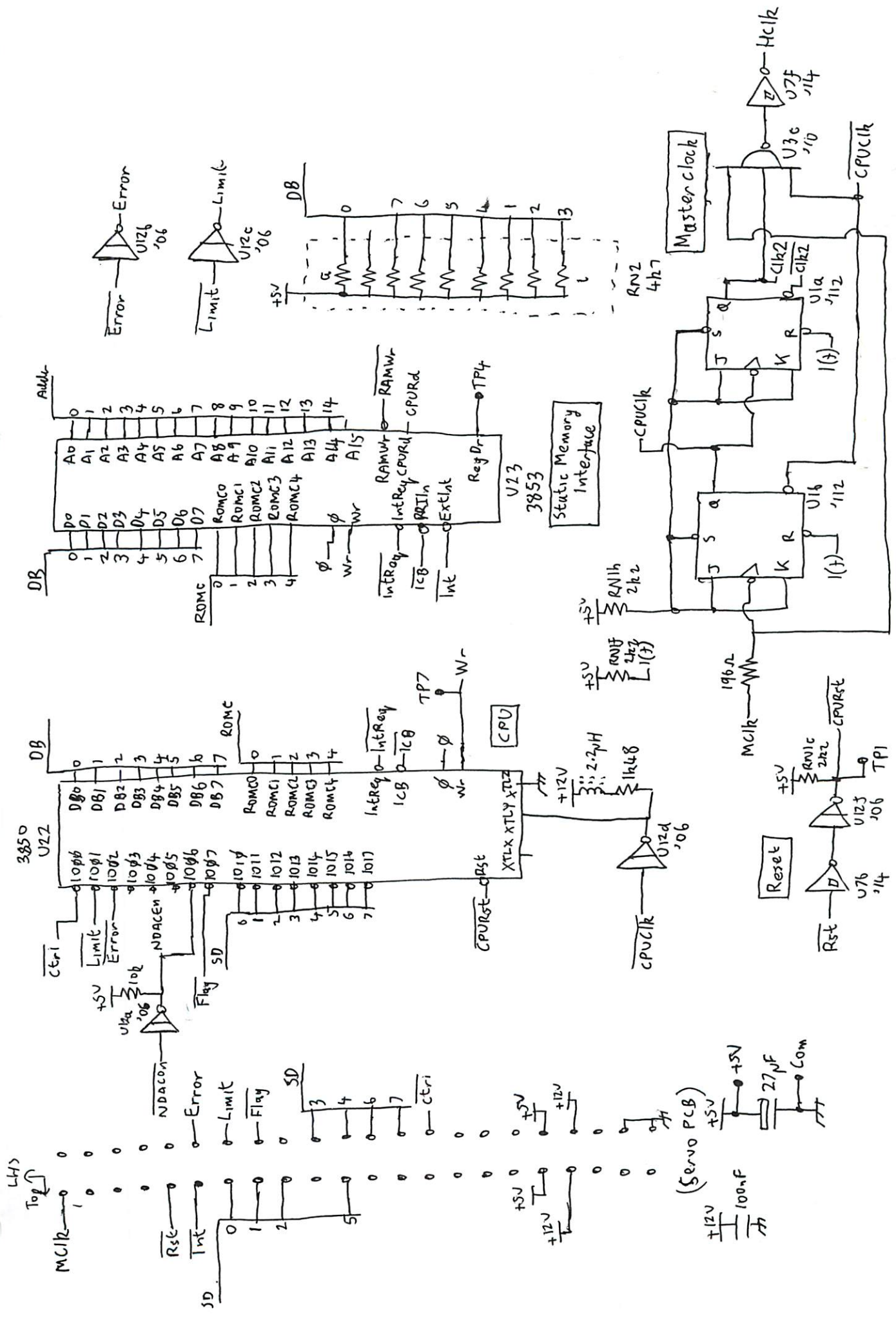
Lower Left	Upper Right	Enter
------------	-------------	-------

↑	Fast	→
←		↓

Pen Up	Pen Down
--------	----------

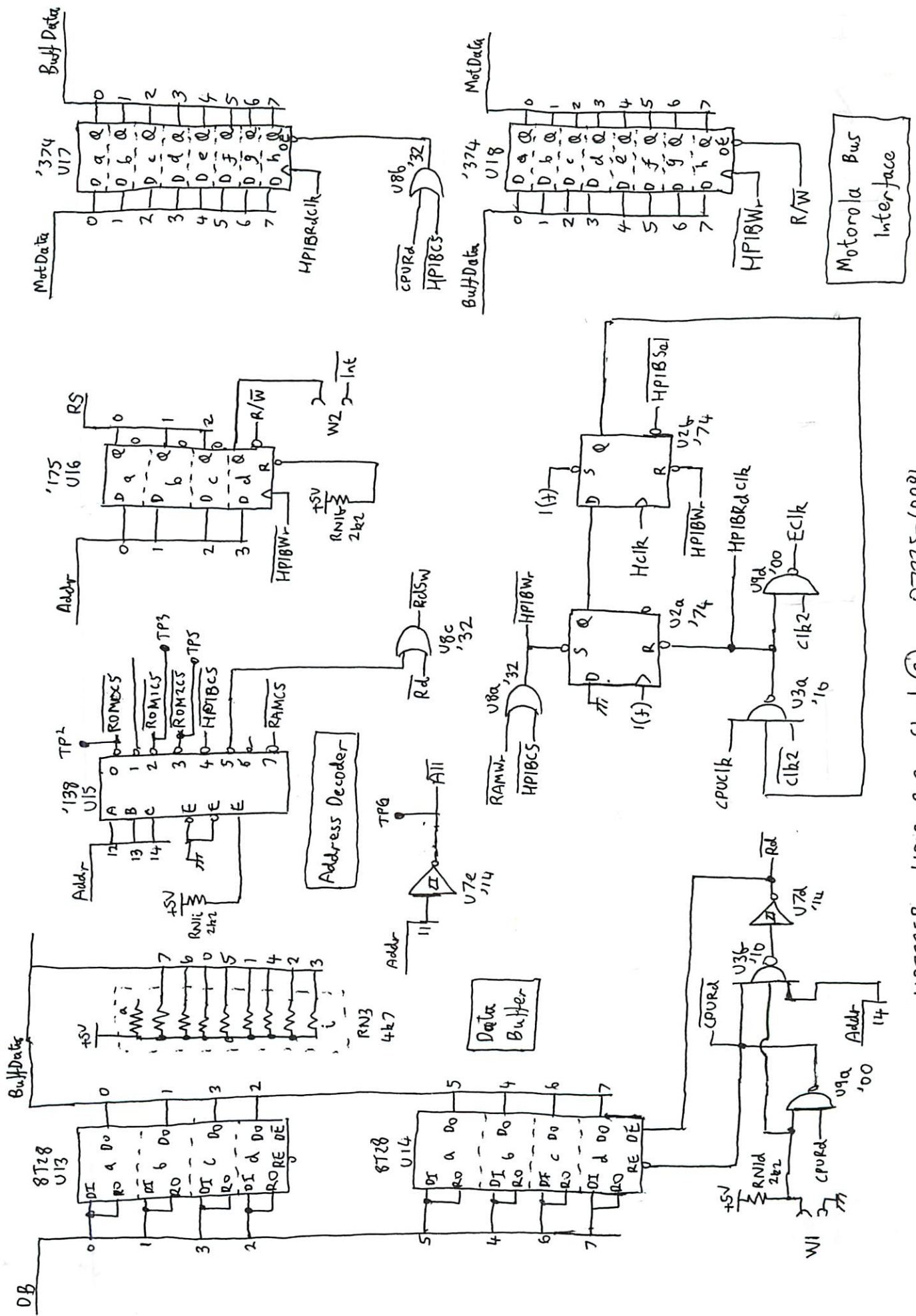
HP 7225B Control Panel

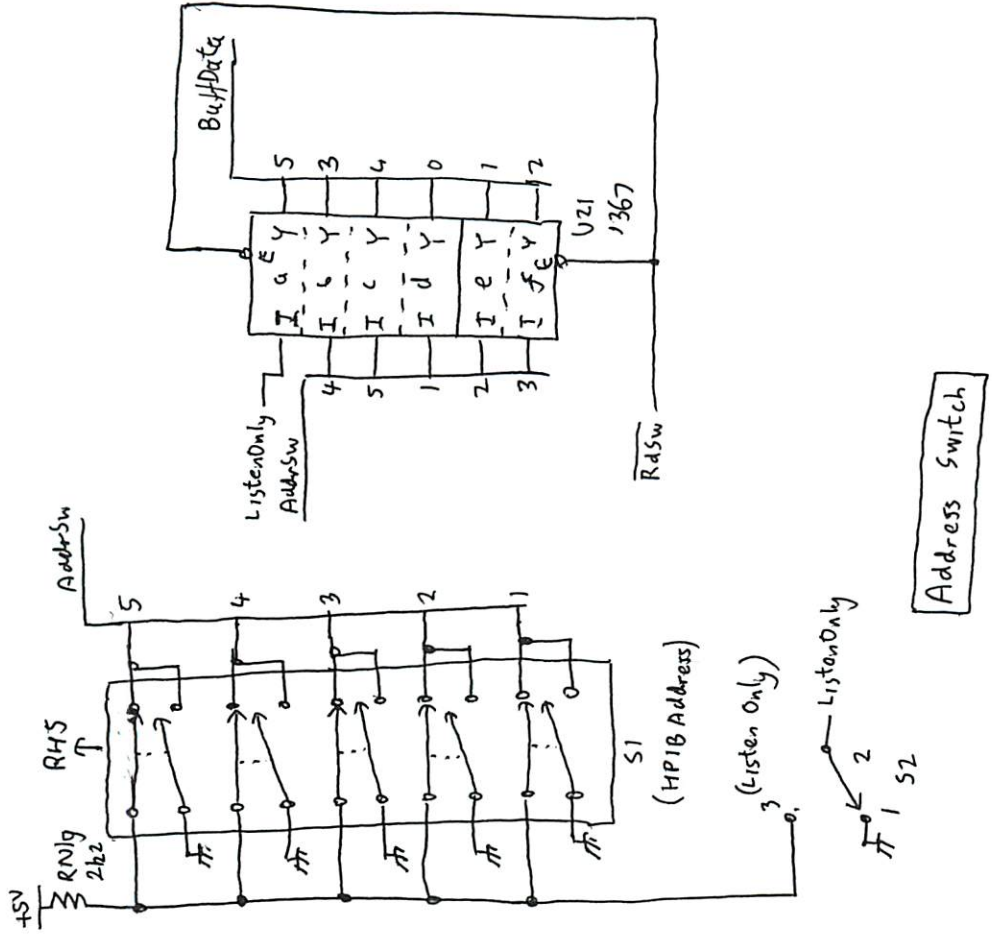
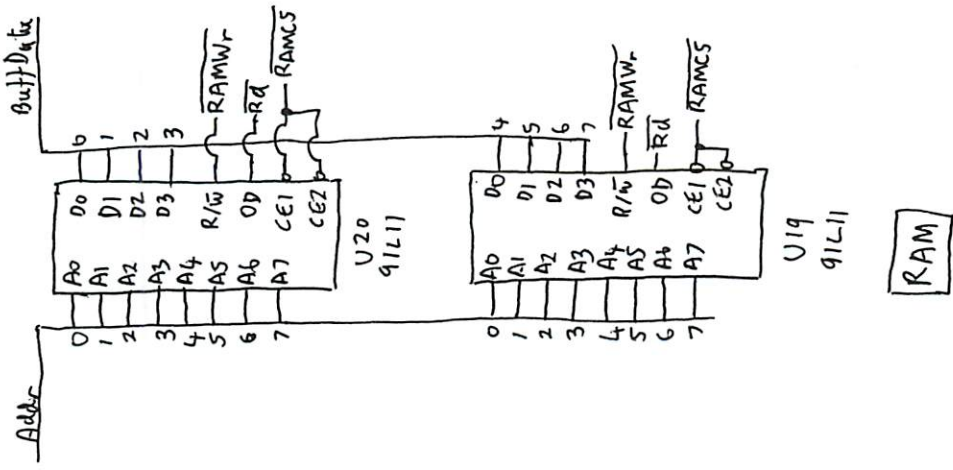
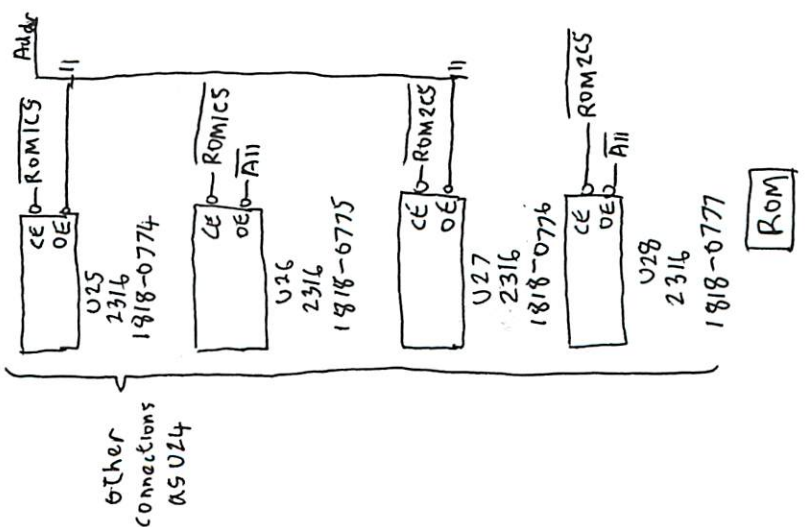
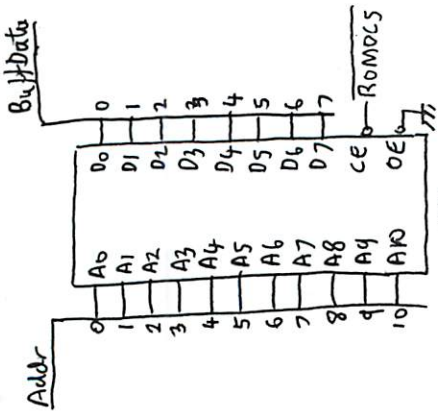




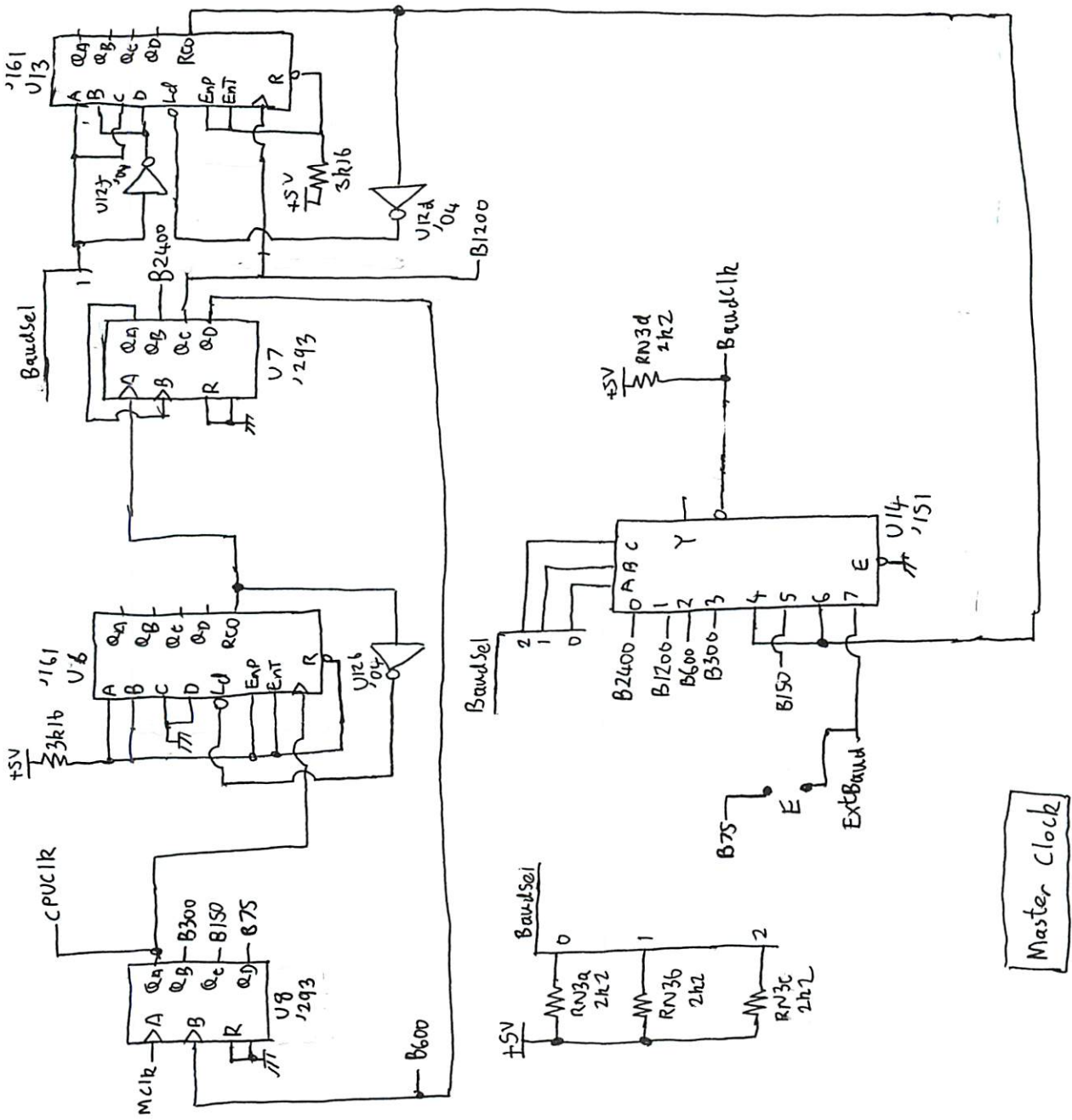
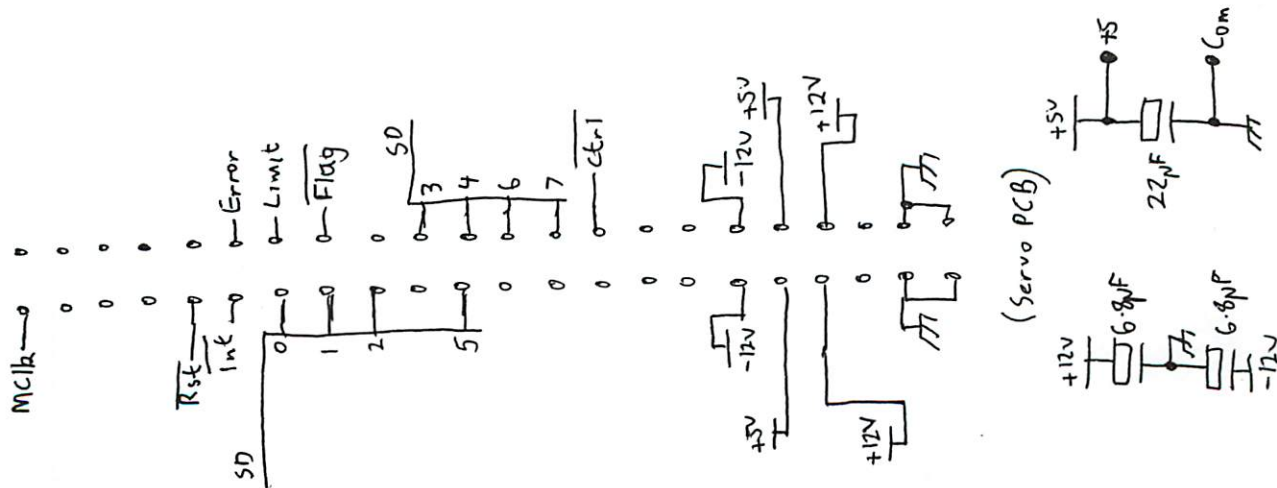
07225-60081

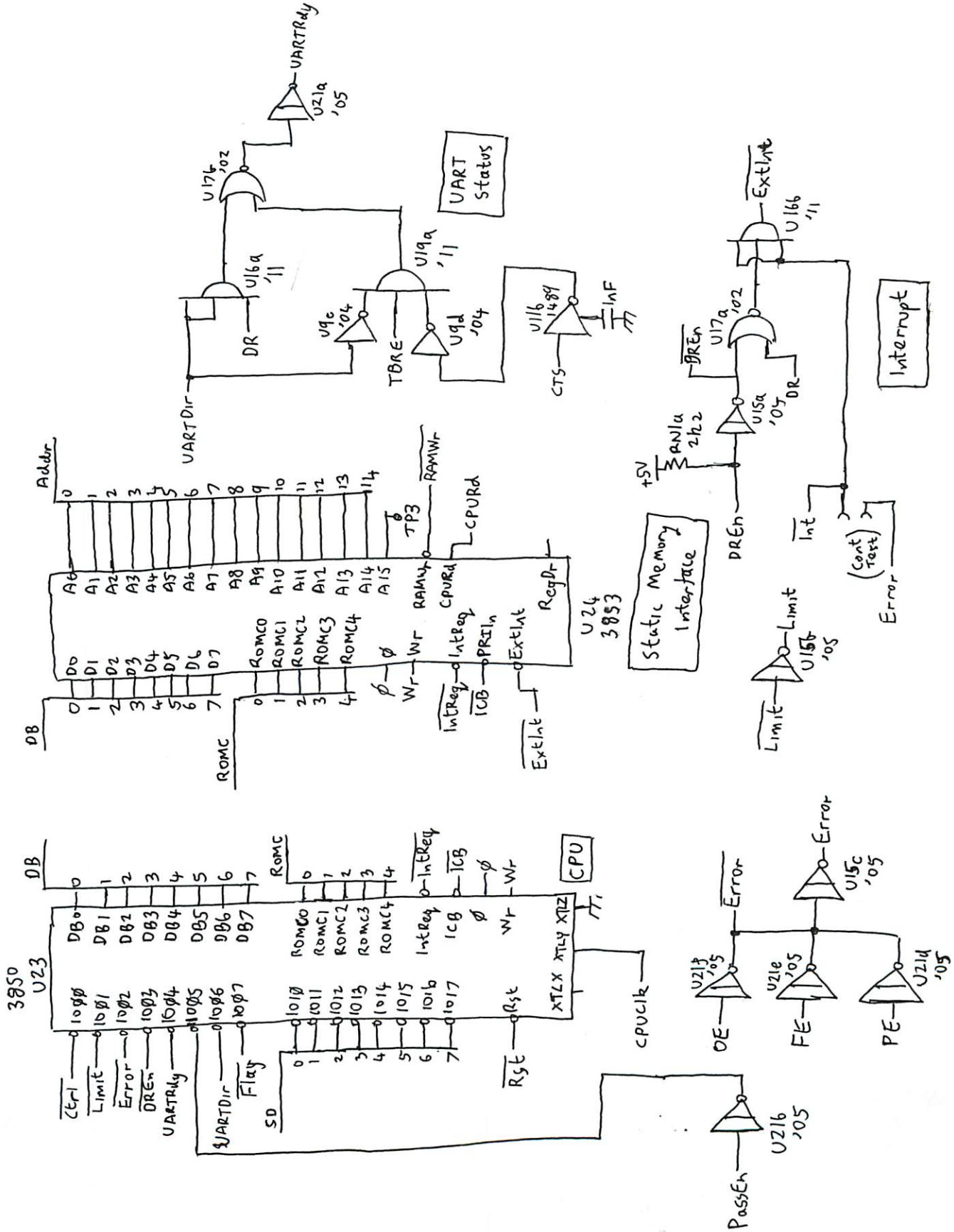
HP7225B MP1B PCB sheet 1

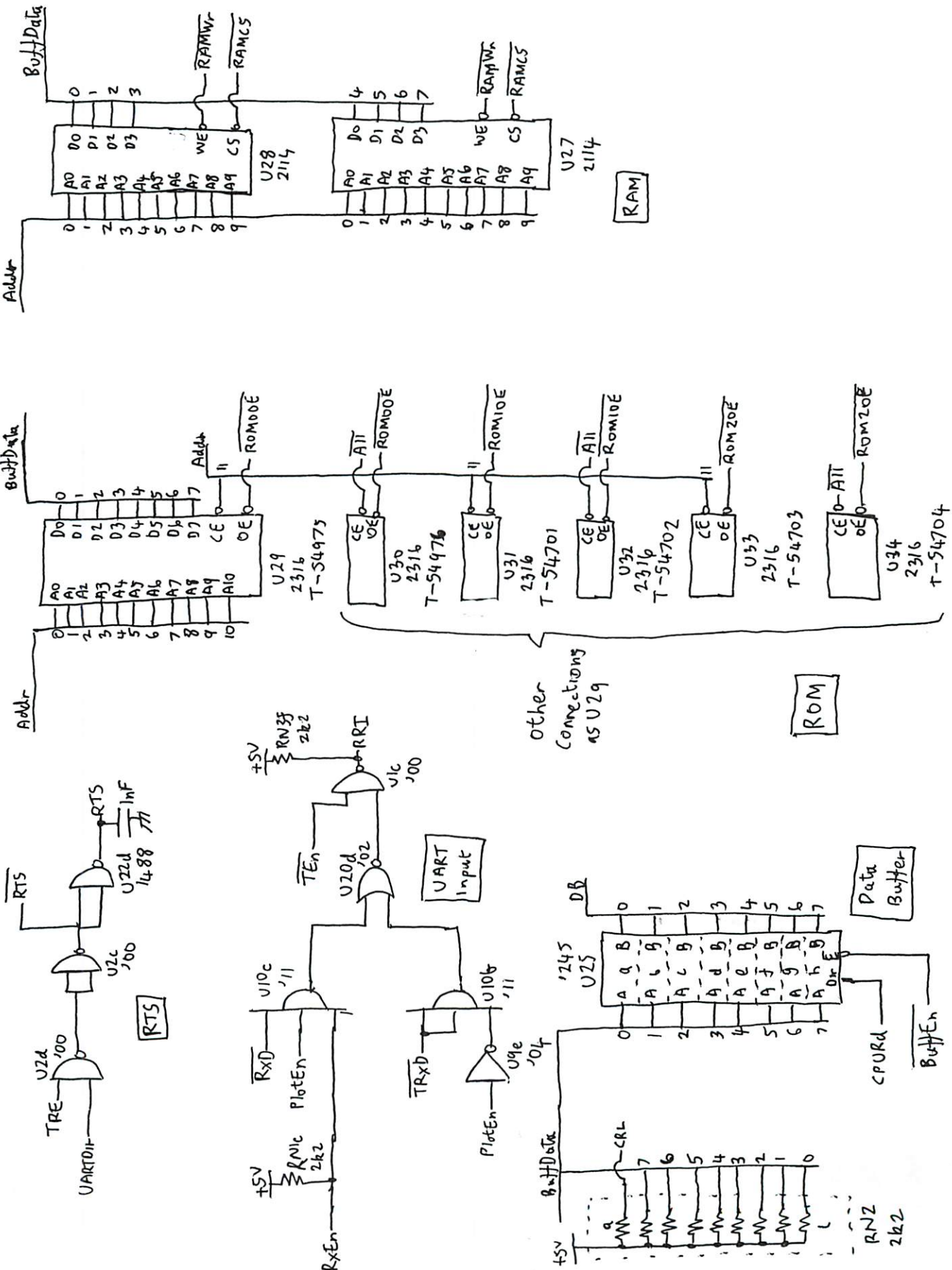


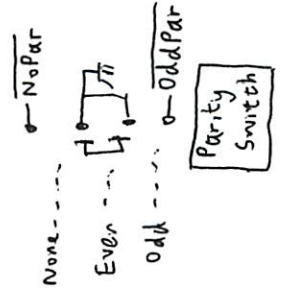
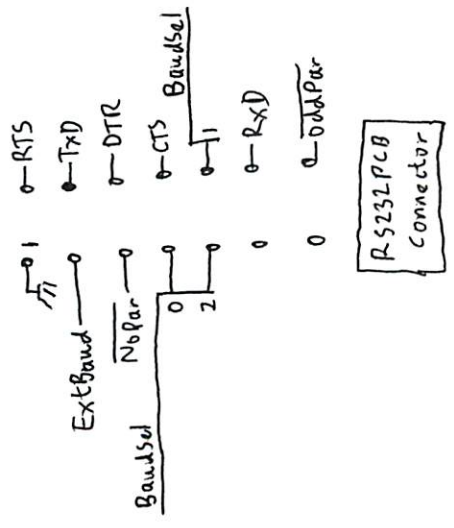
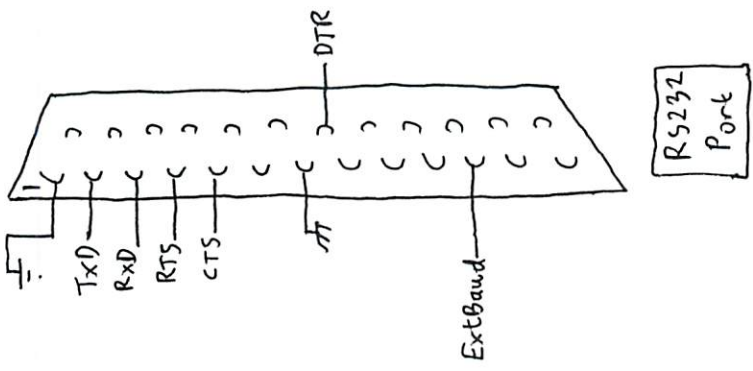


LHS
TOP









	a	b	c	d
2400	c	c	c	c
1200	c	c	c	c
600	c	c	c	c
300	c	c	c	c
200	c	c	c	c
150	c	c	c	c
110	c	c	c	c
EXT	c	c	c	c

c = closed
o = open

