

HP9142

- LMS
↑
- o -12V
 - o Gnd
 - o +12V
 - o PVAL
 - o Gnd
 - o +5V
 - X
 - o Gnd
 - o +5V
 - o Gnd
 - o GndM
 - o +12VM

J202
(Power In)

- Rear
↑
- o Mot-
 - o Mot+
 - o GndM

J203
(Motor)

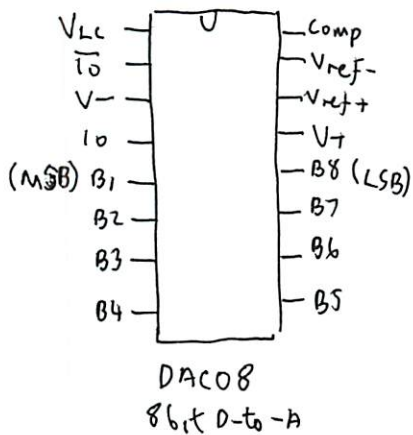
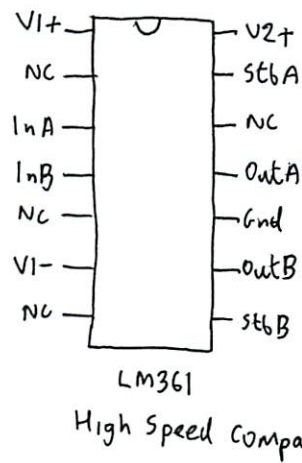
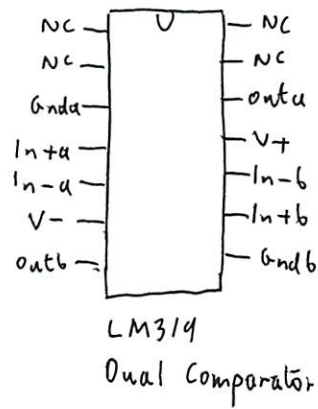
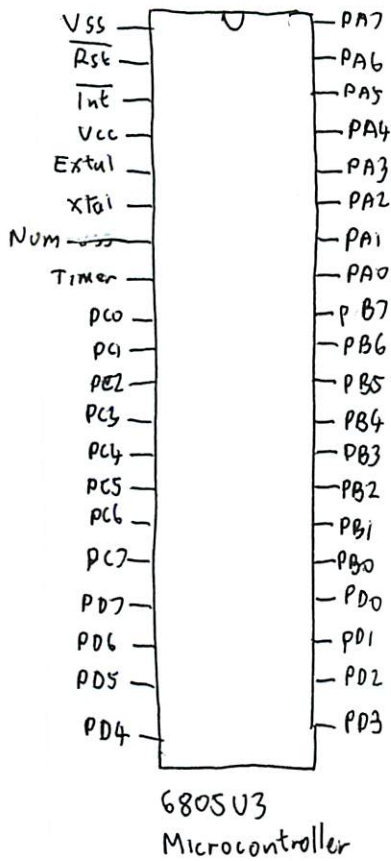
Rear
Top
↑

- W r A → o Gnd (Wr Screen)
 - W r B → o W r C T
 - (N/C) Gnd → o X
 - Gnd (R d C T) → o R d A
 - Gnd (R d screen) → o R d B
- J101
(Head)

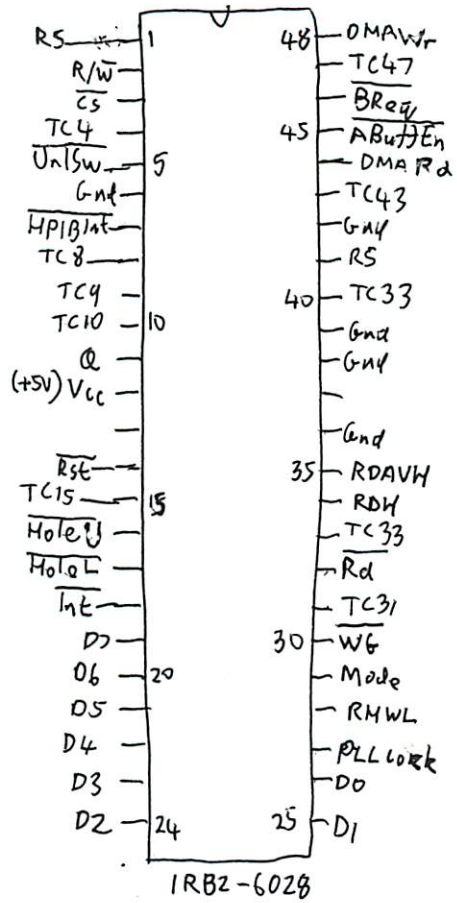
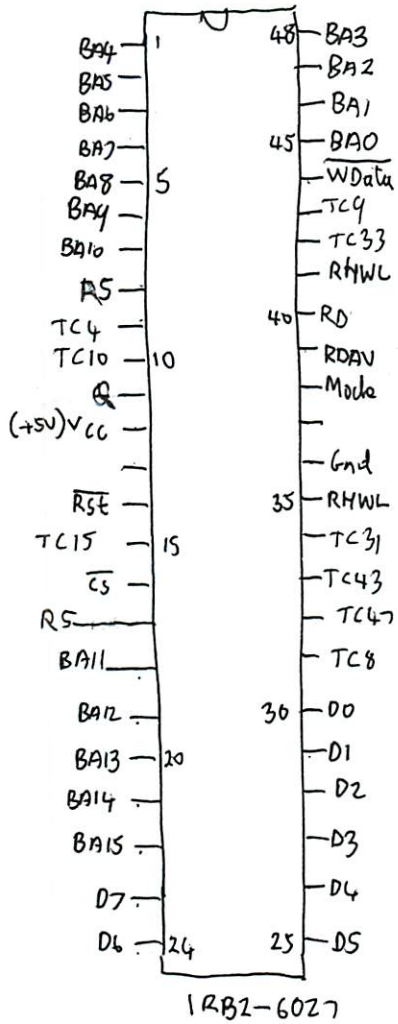
Rear
↑

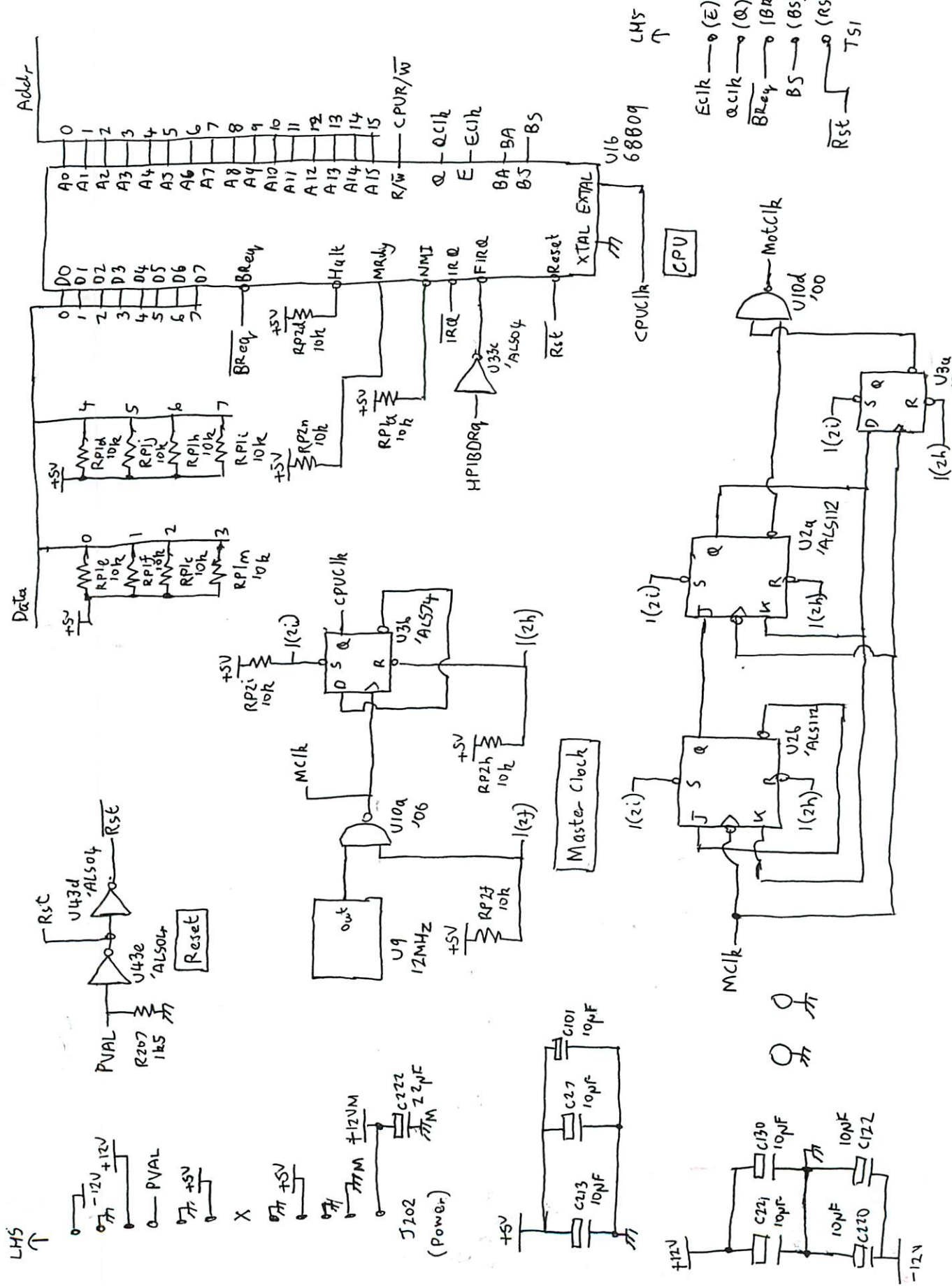
- Mole Sensor
 - o Led k
 - X
 - o Hole L → +5V (Q.c)
 - o Hole U
 - o Gnd (LEDk)
- Micro-Switch
 - o Gnd
 - o W P S W
 - o Gnd
 - o G a r t S w
 - X
- Tacho
 - o LEDa
 - o Gnd (LEDk)
 - o Qc
 - X
 - o Qe
- stepper
 - o Z o m A
 - o C o m A
 - X
 - o C o m B
 - o C o m B
 - o φ A
 - o φ B
 - o φ B

J201
(Tape Drive)



HP9142

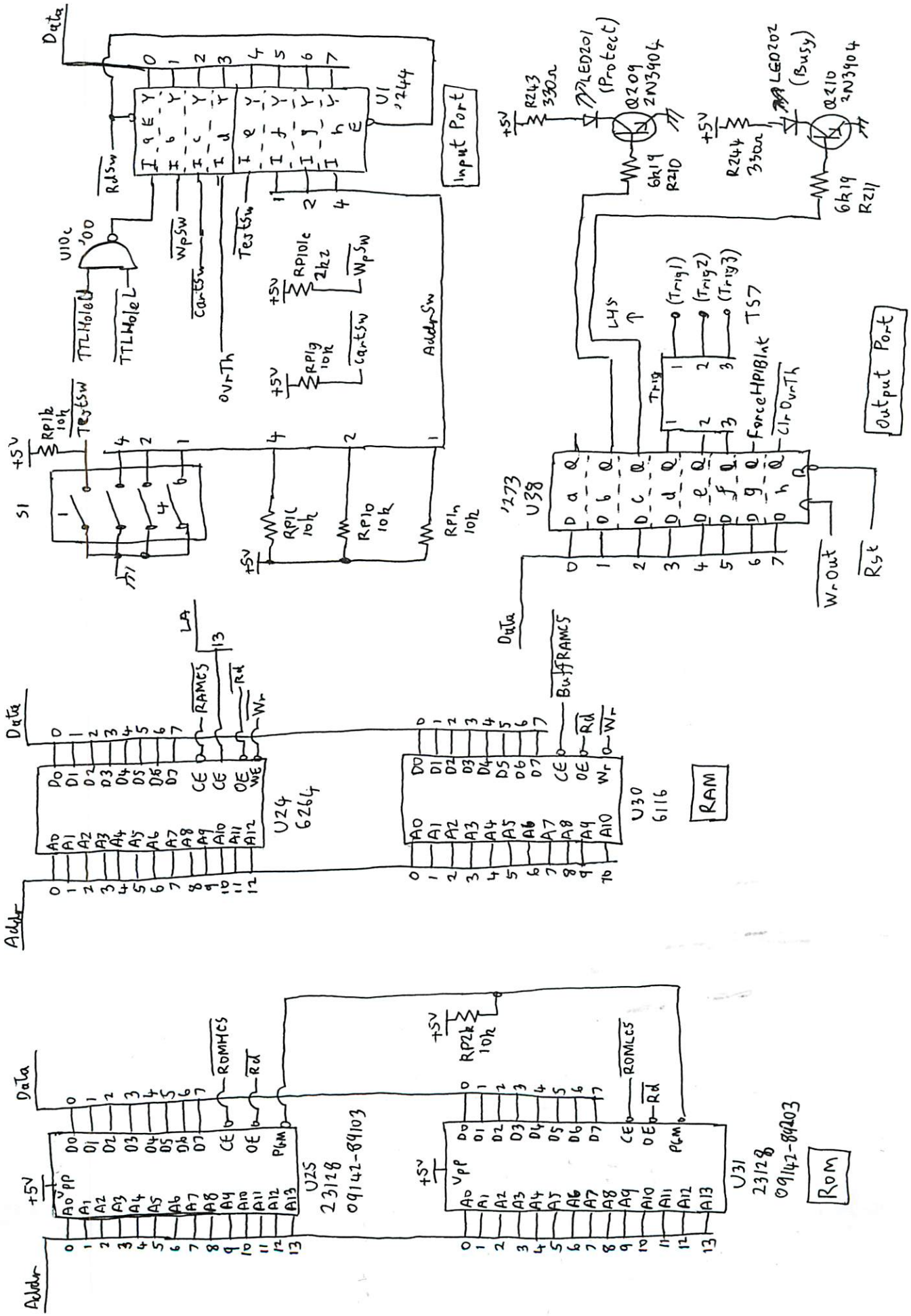


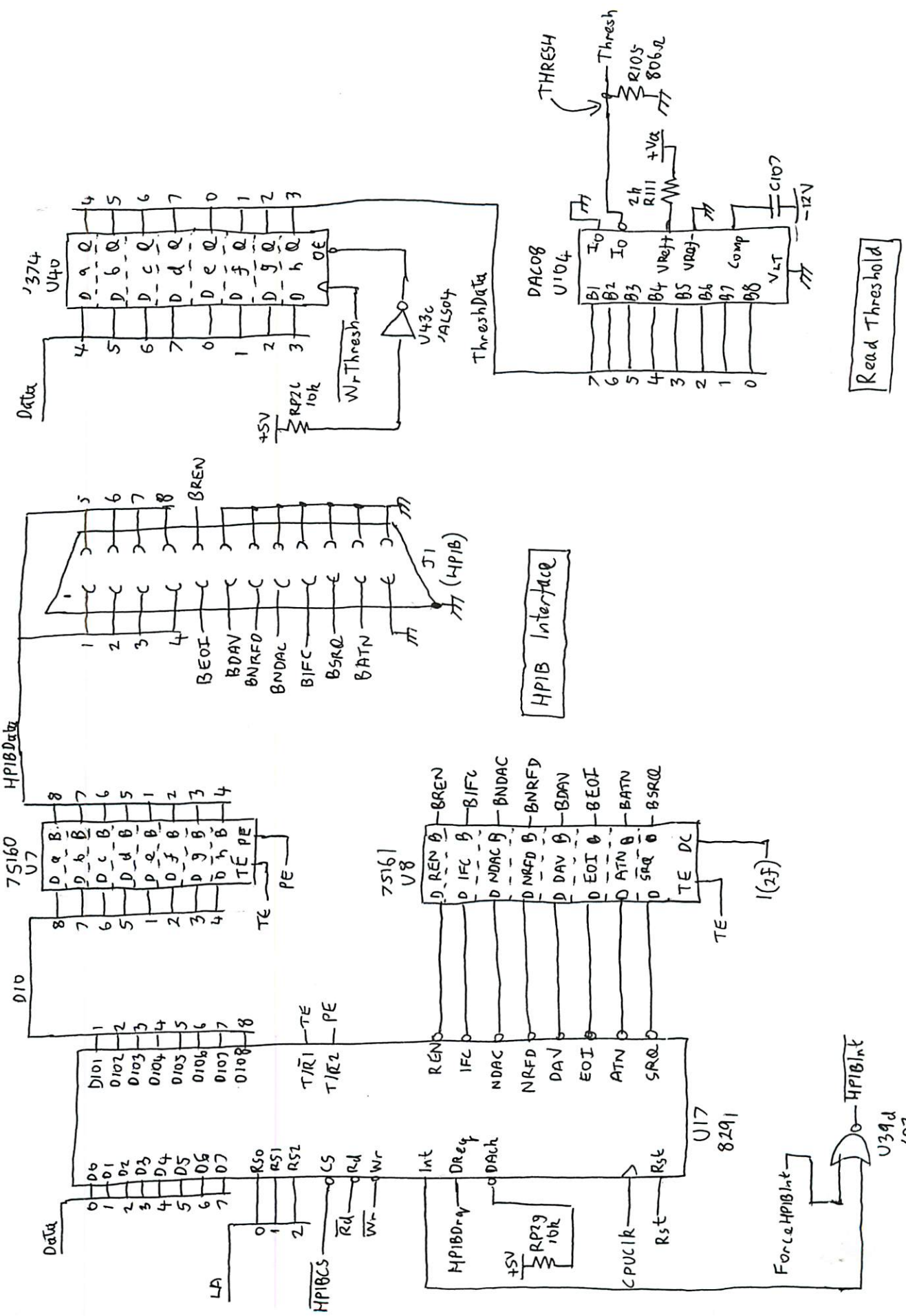


Eclk → (E)
 Qclk → (Q)
 BReq → (BREQL)
 BS → (BS)
 Rst → (RSTL)
 TSI

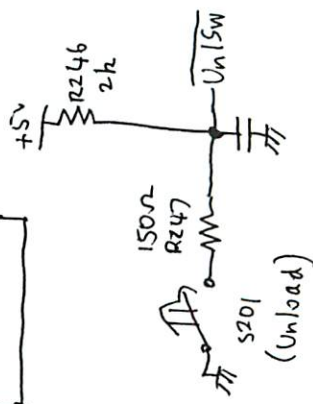
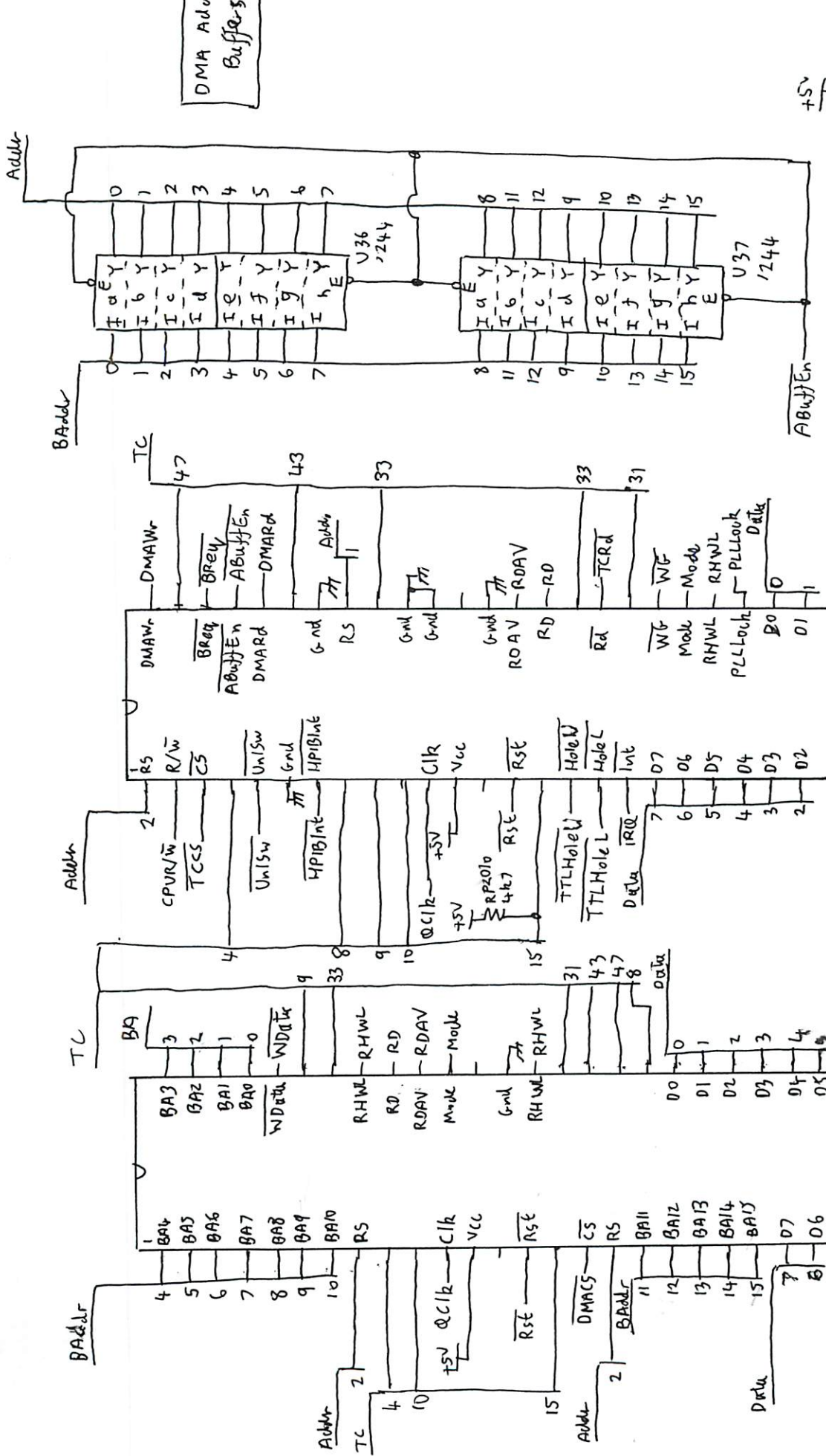
09142-66510

HP9142 Controller PCB Sheet 1



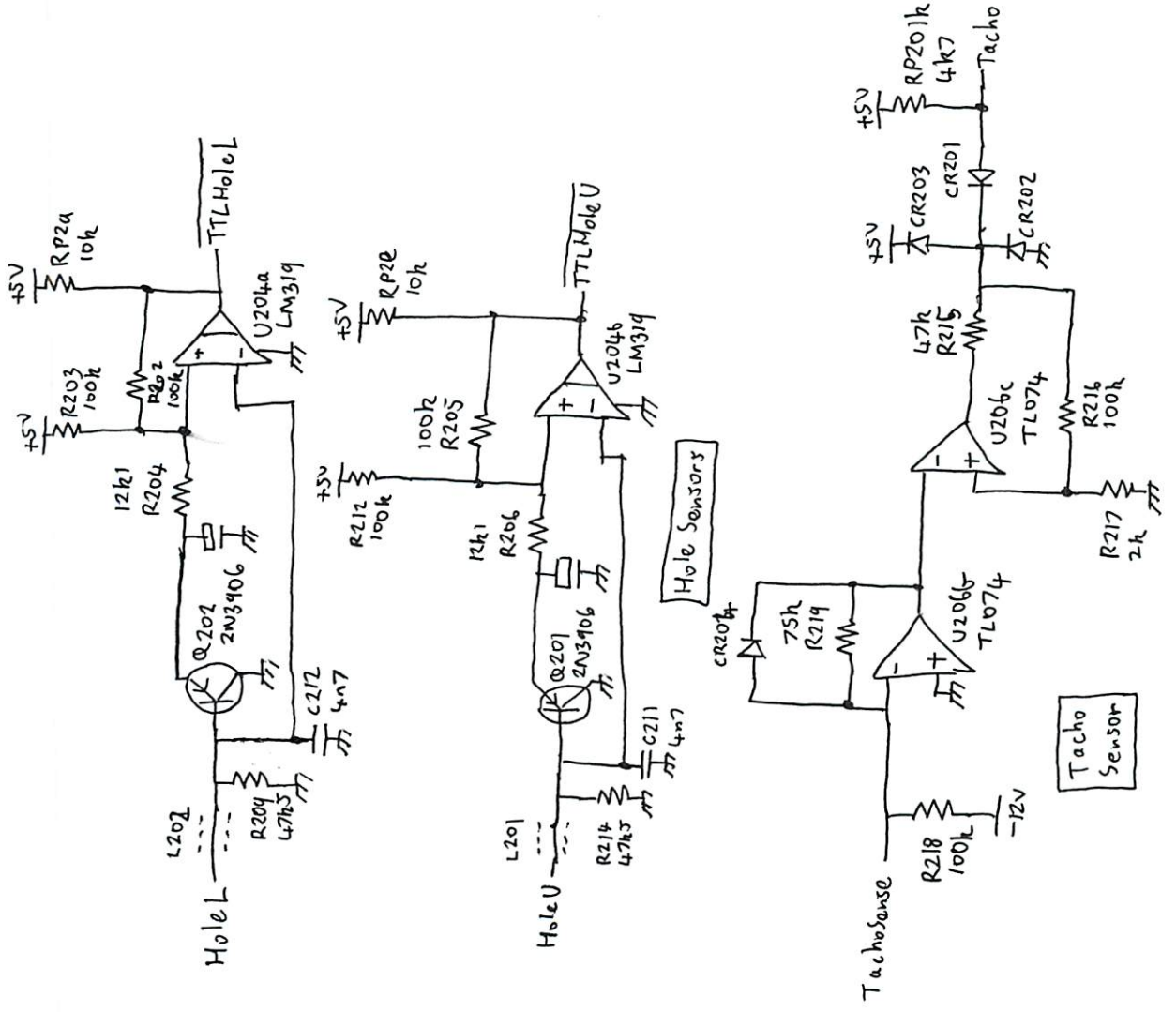
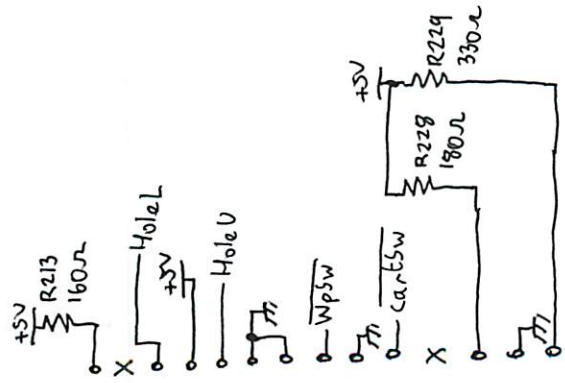


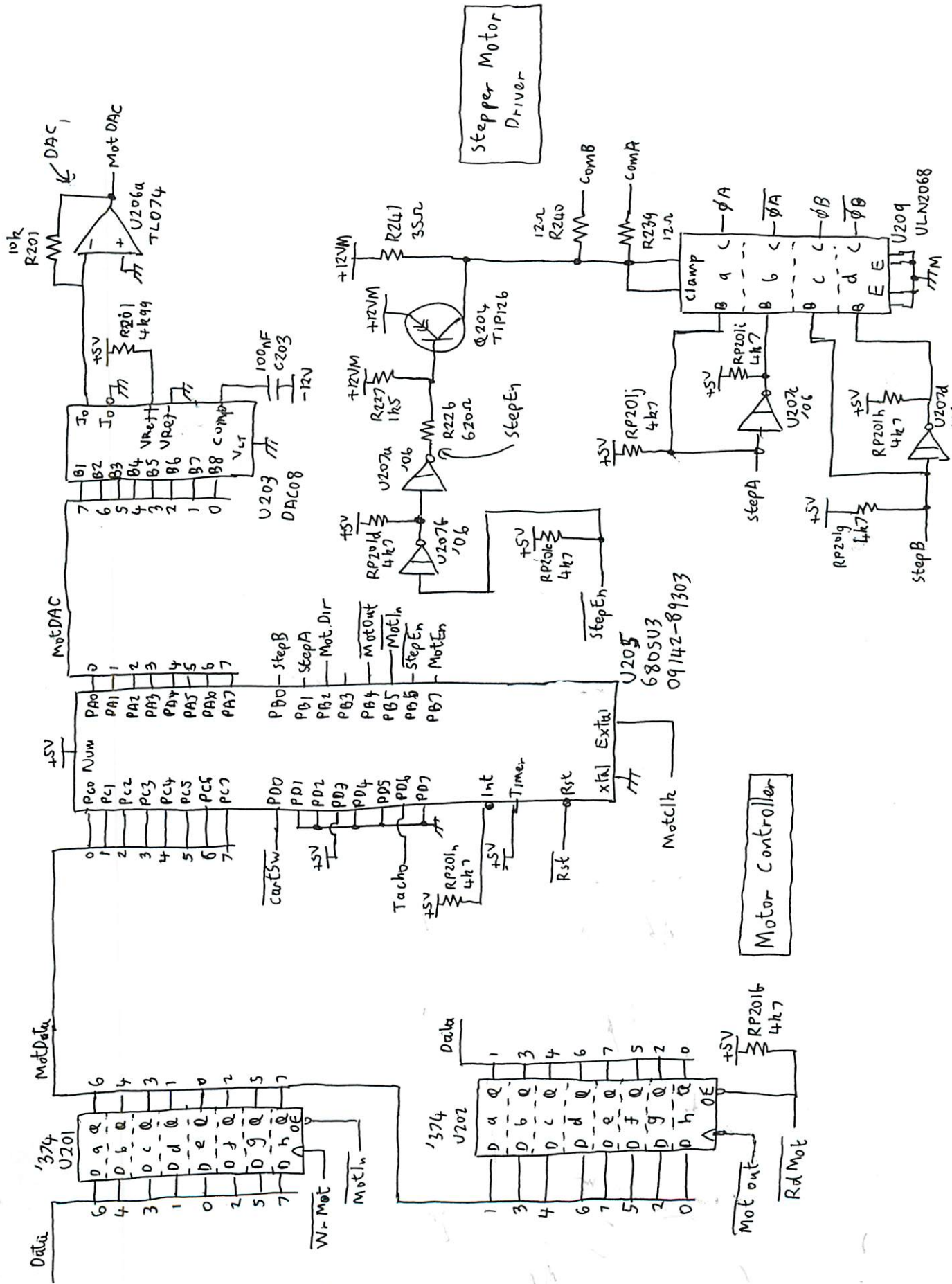
DMA Address Buffers

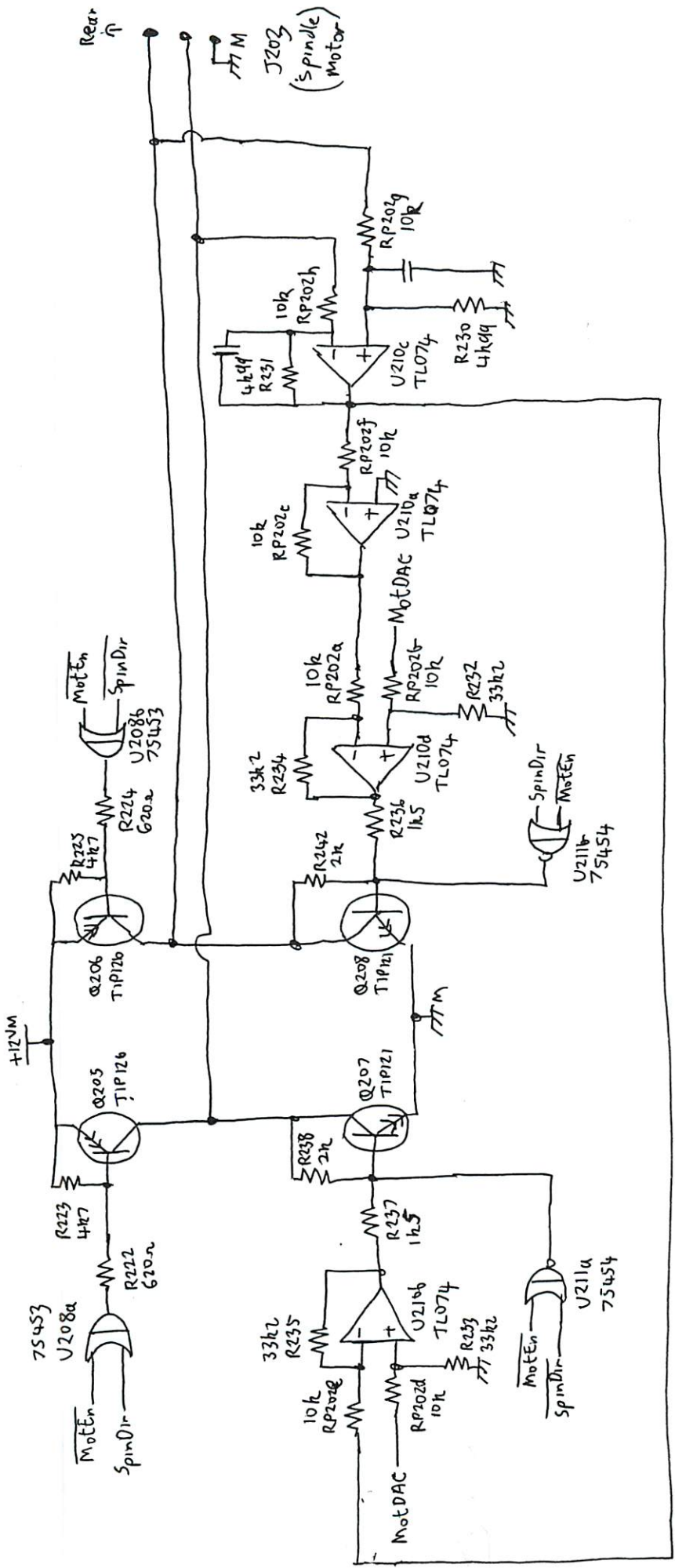


Tape Controller

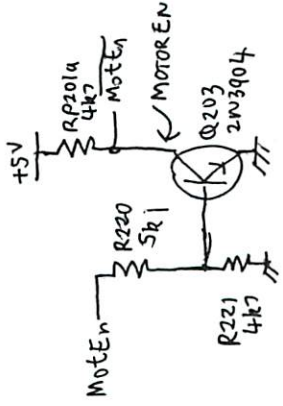
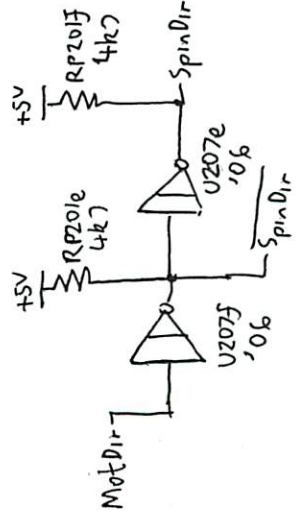
Rear ↑

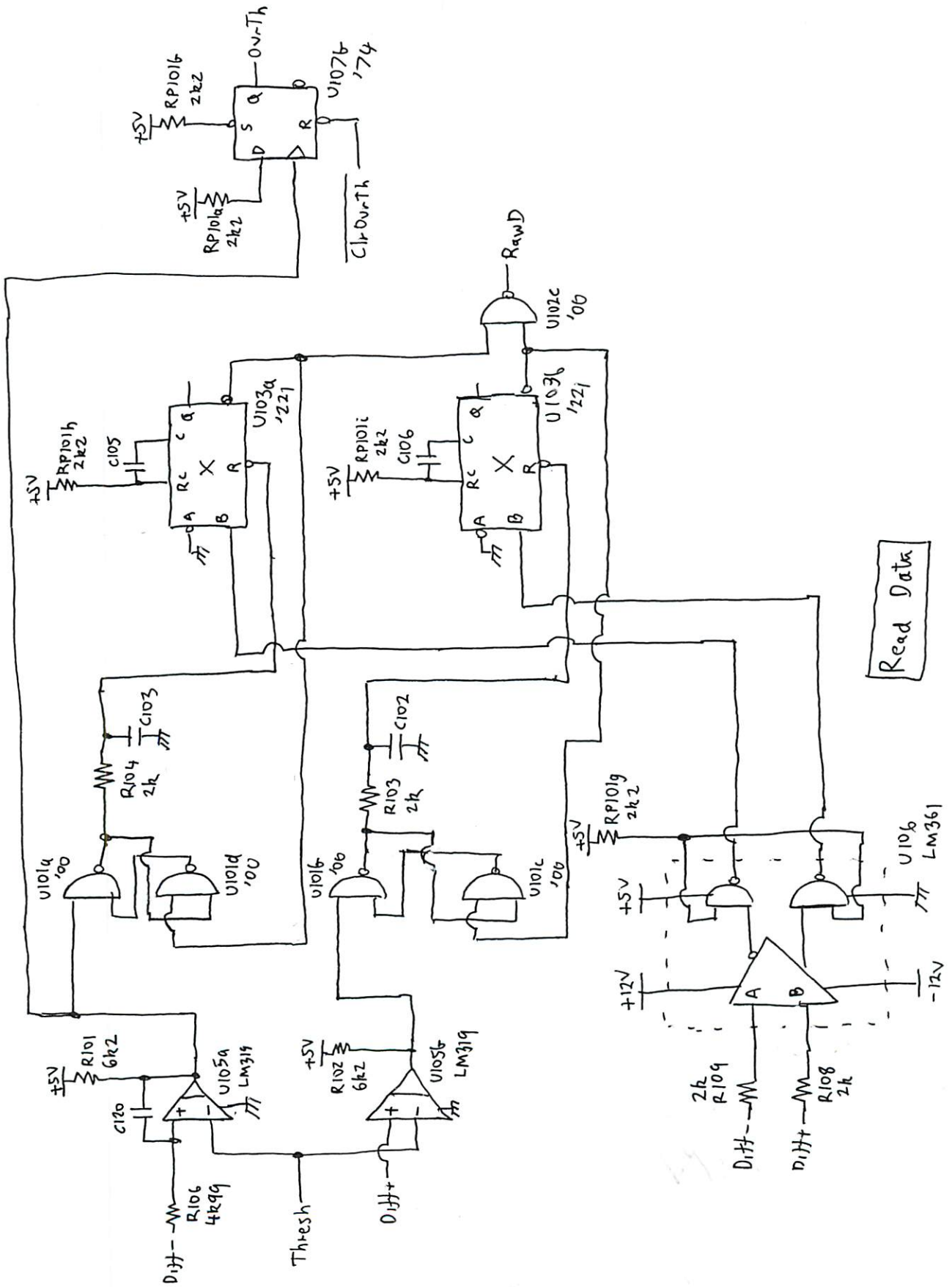


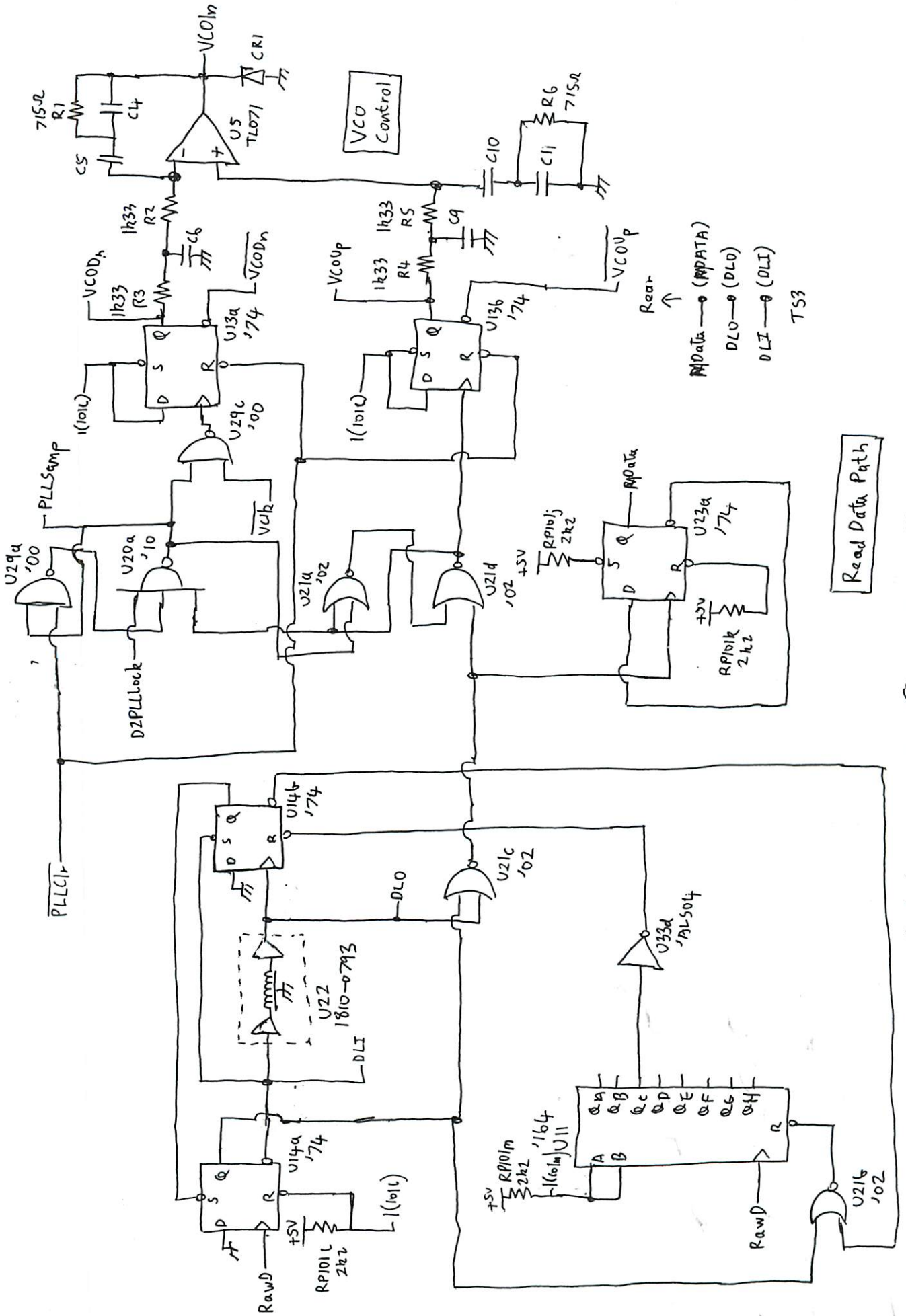




Capstan Motor Driver







LMS



(WDL)

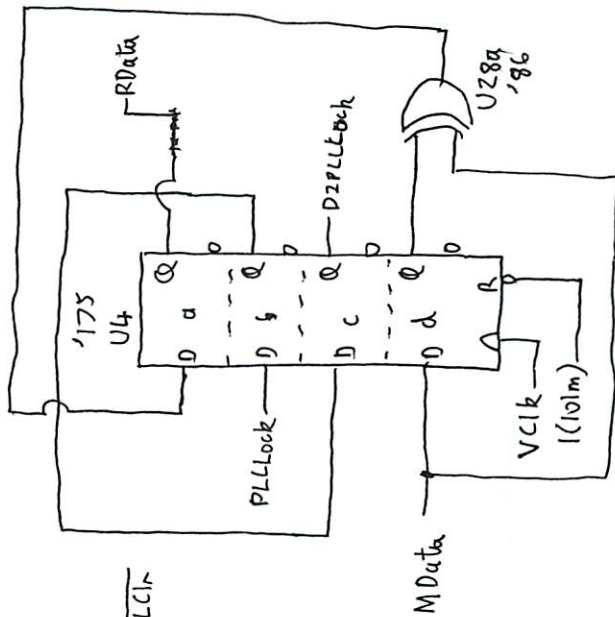
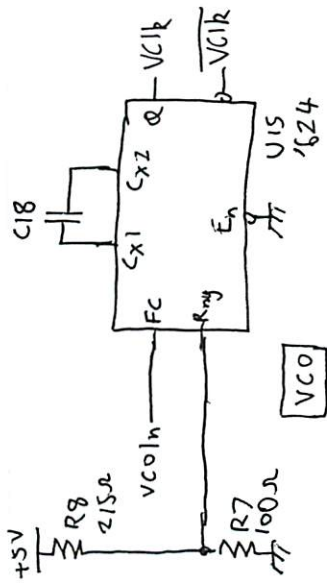
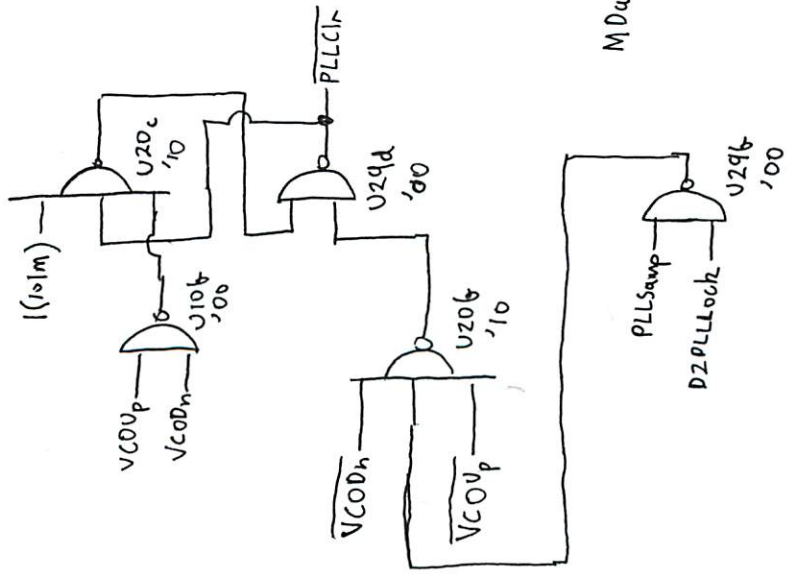
OVrTh → (OVrTH)

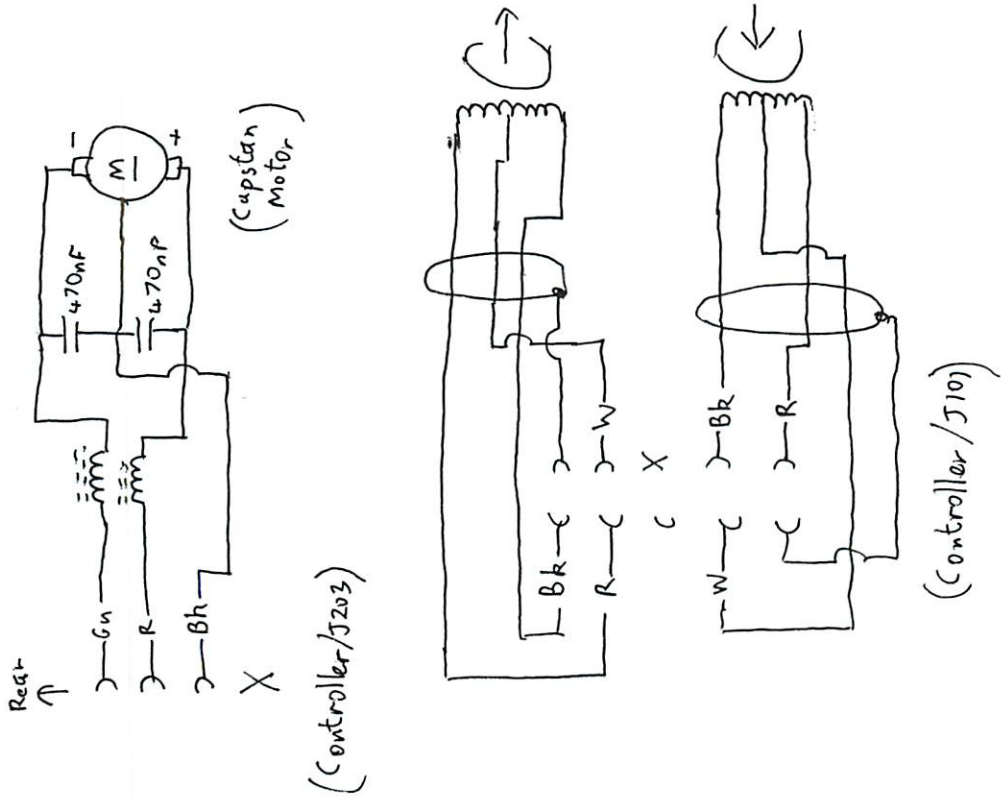
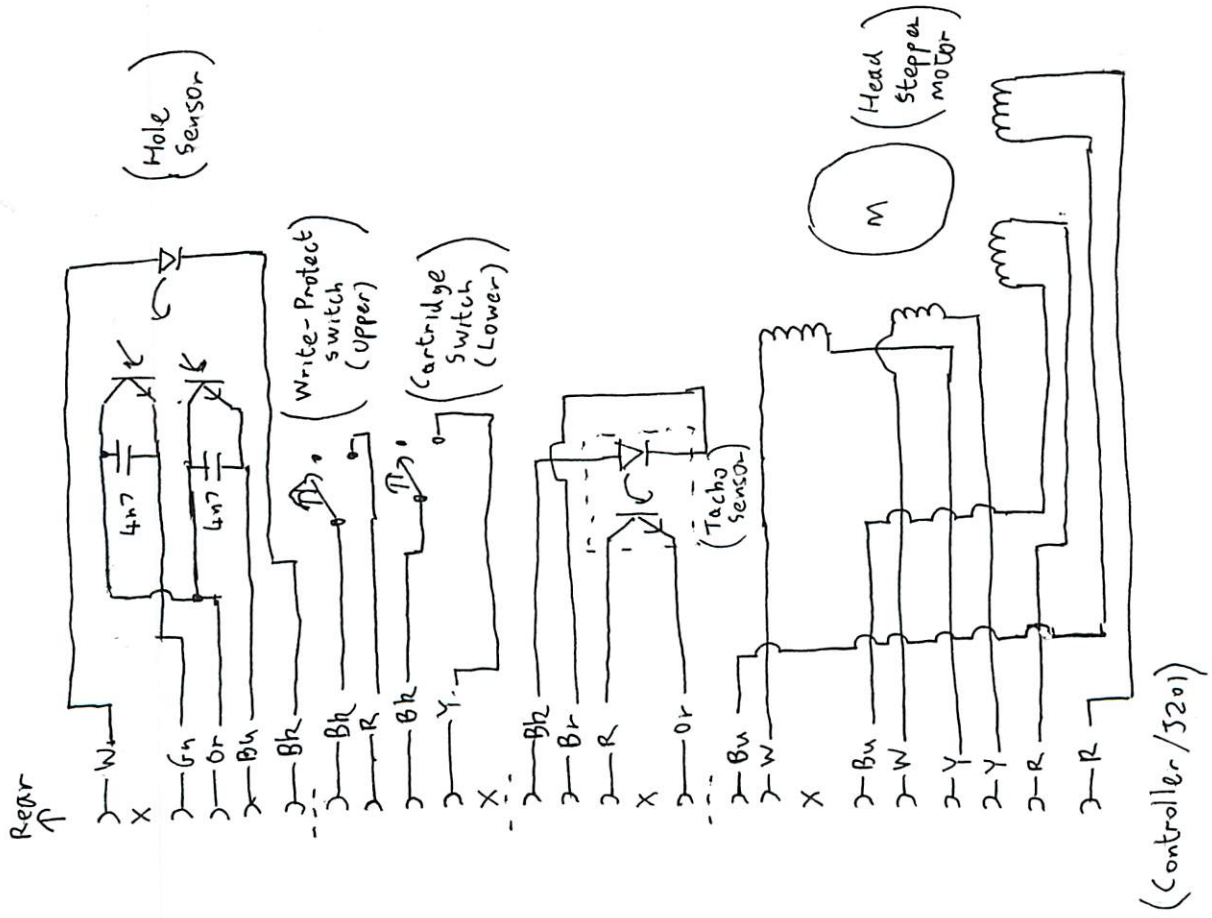
RawD → (RAWDM)

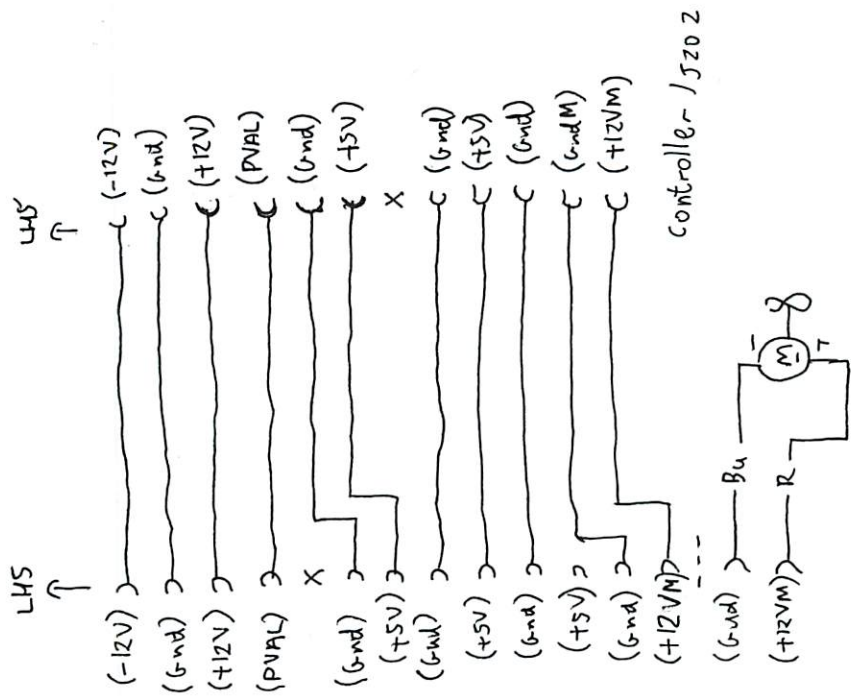
VClk → (VCLK)

(GND)

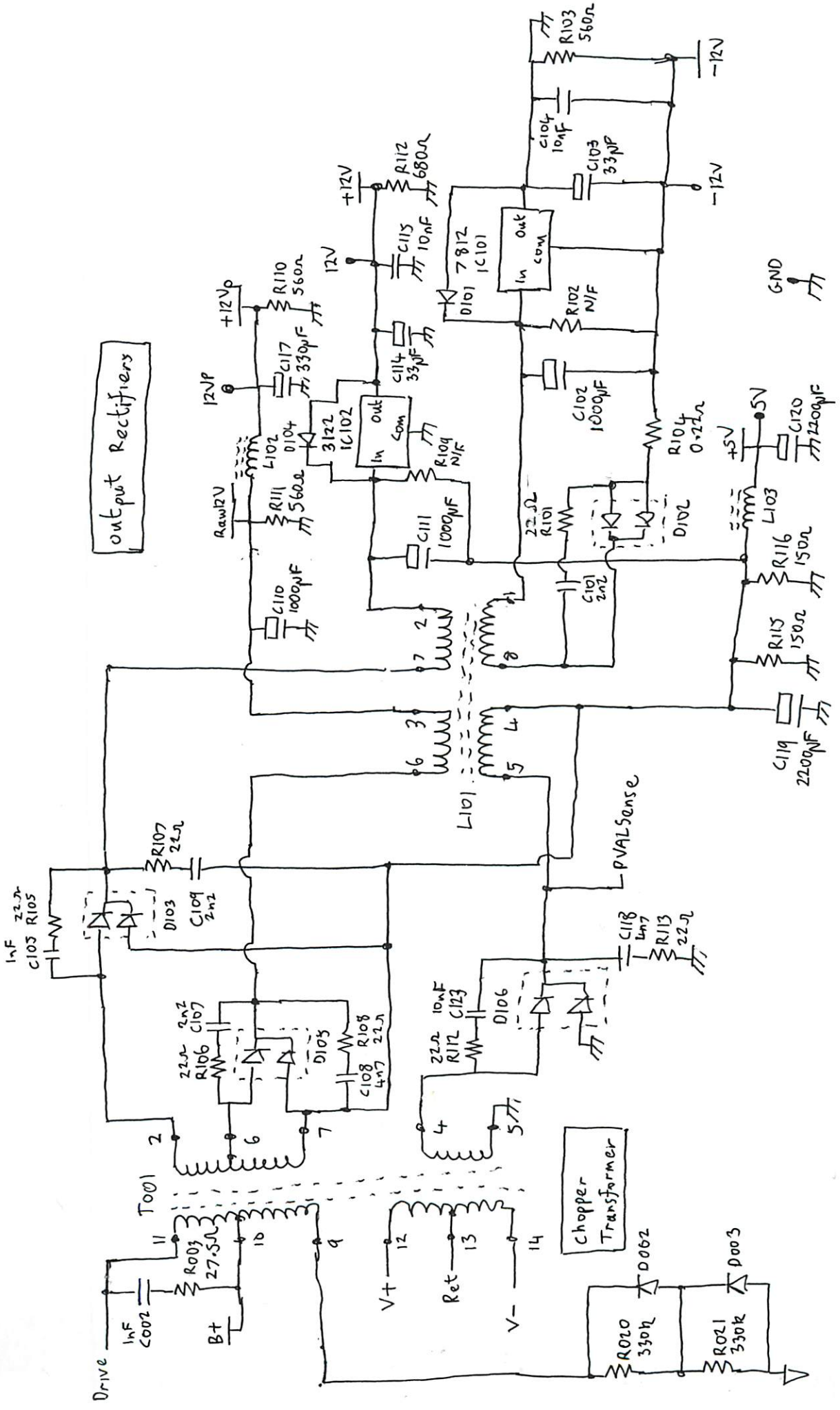
T54



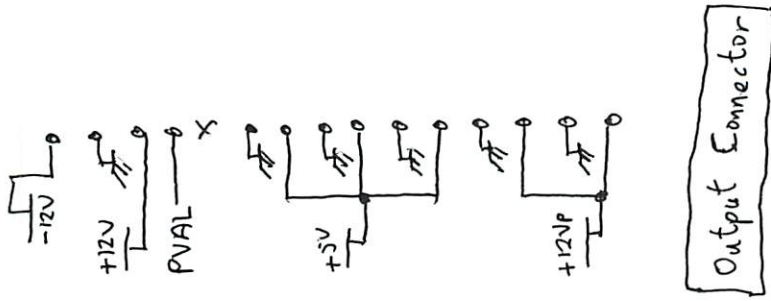




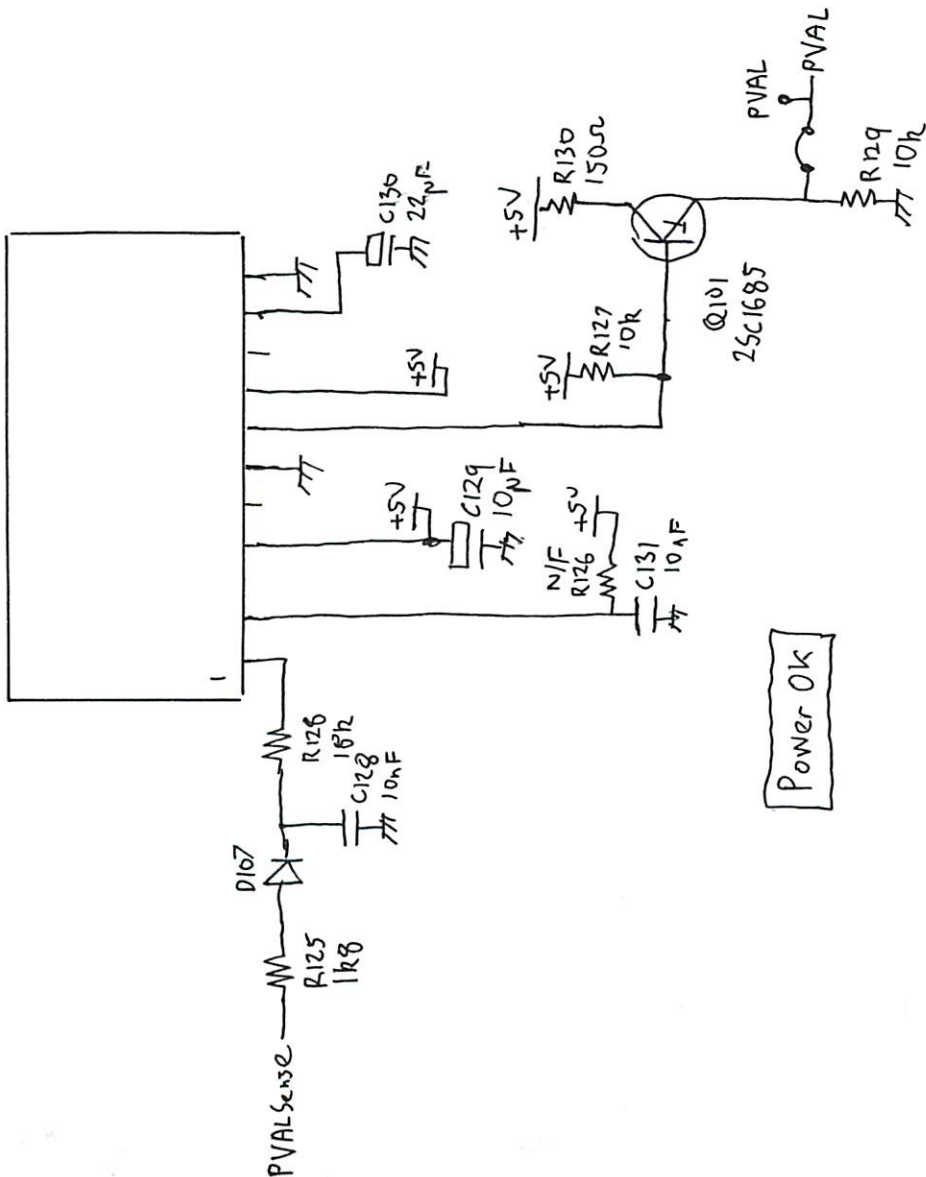
HP9142 Power Cable



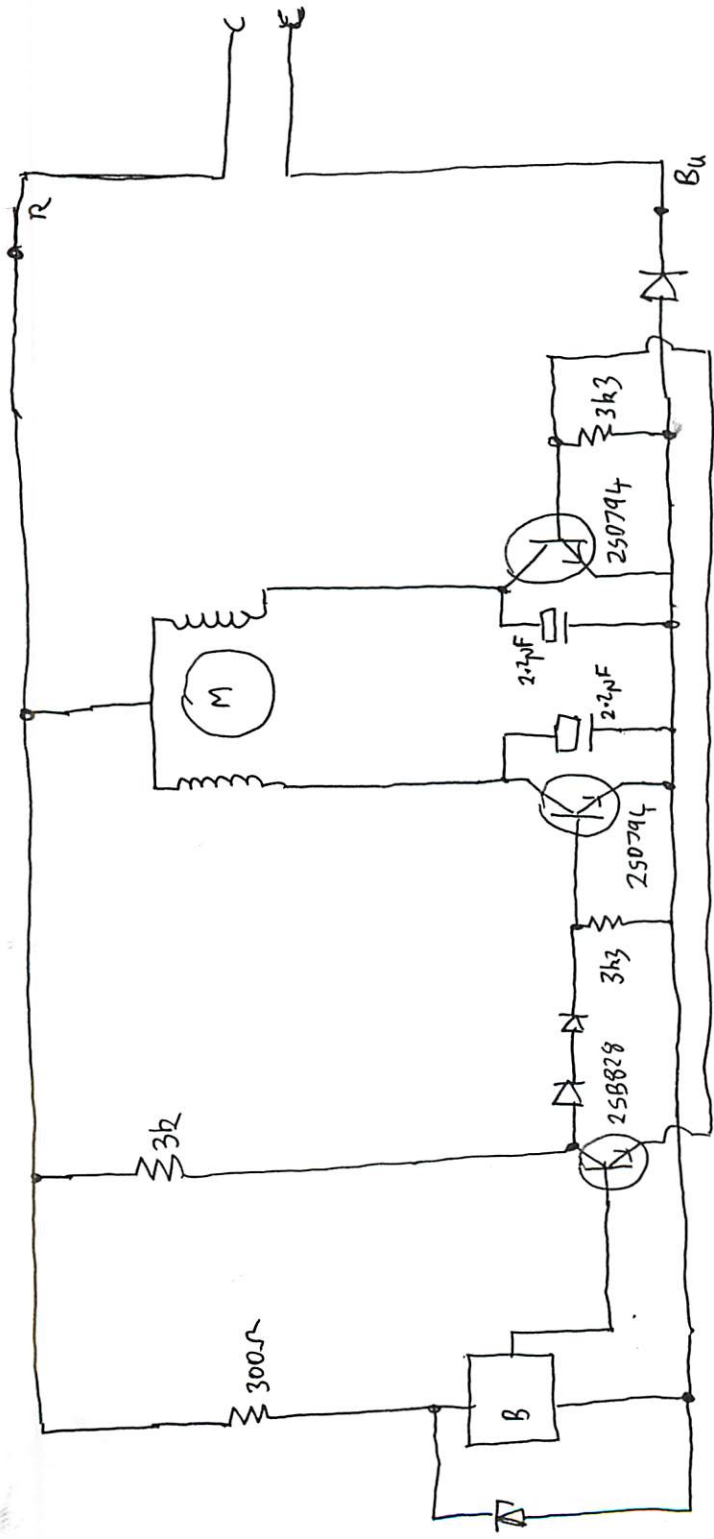
Output Rectifiers



MHI002
IC10L4



Power OK



Parallel FBP-08B12L