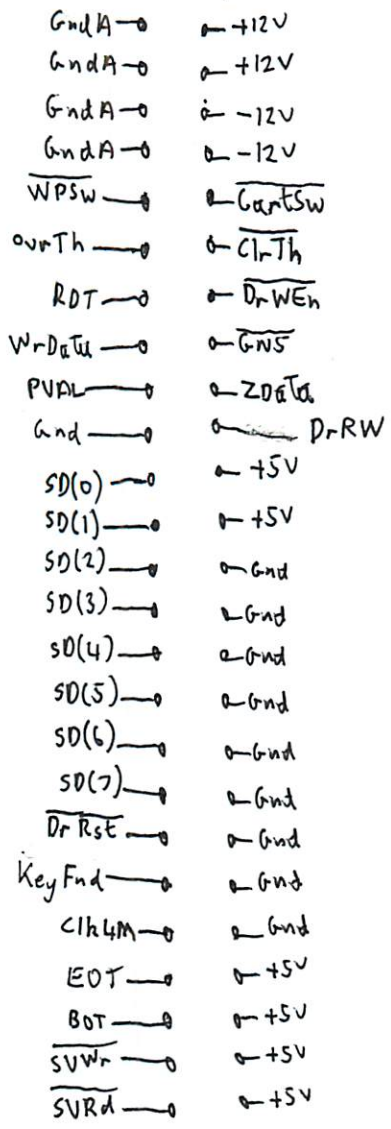
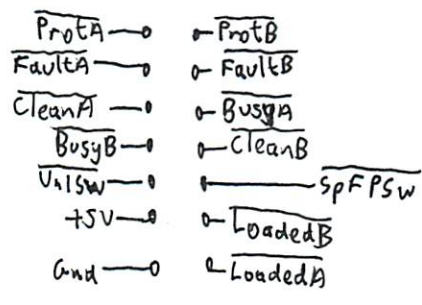


MP9(45)

LHS
↑ → Top (SBCont)



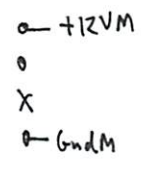
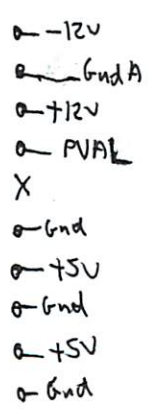
LHS
↑ → Rear



SBCont → Front Panel

SBCont → RW5

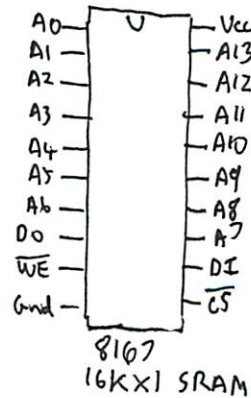
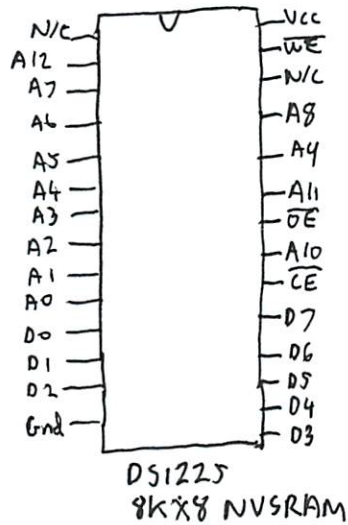
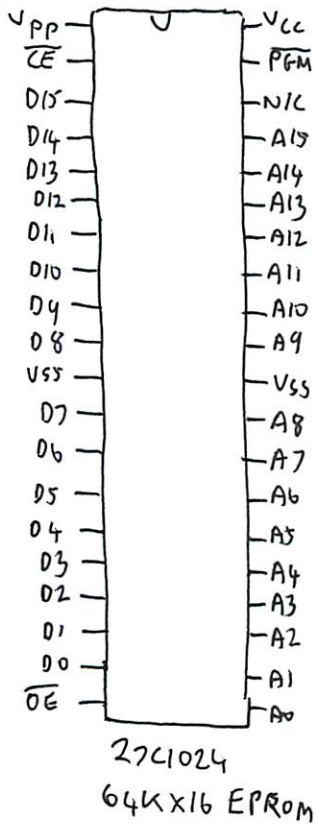
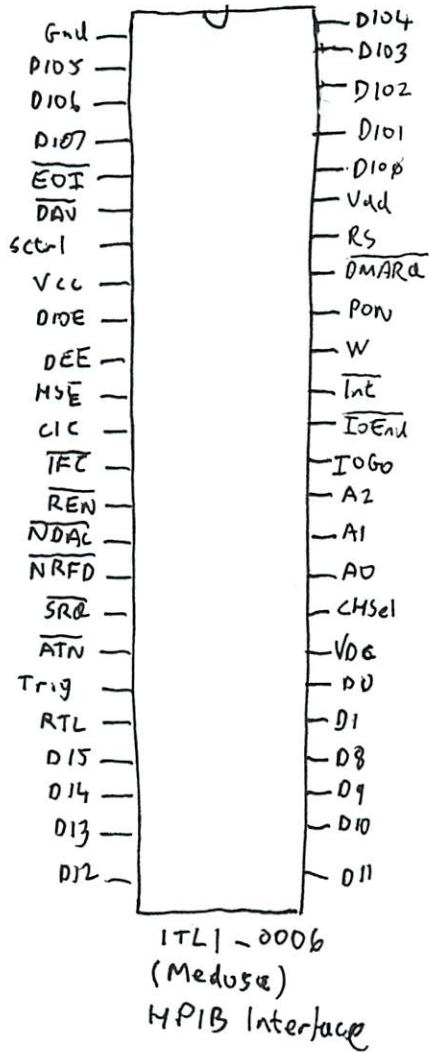
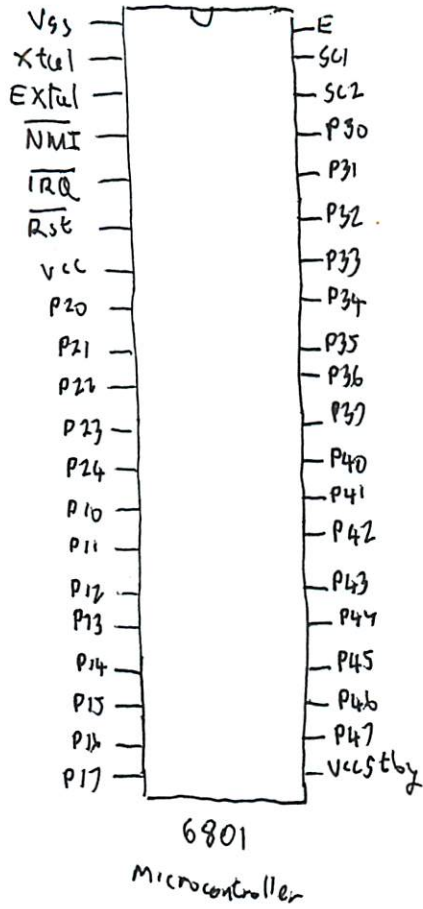
LHS
↑

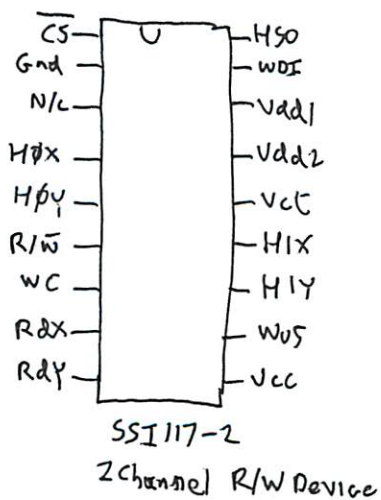
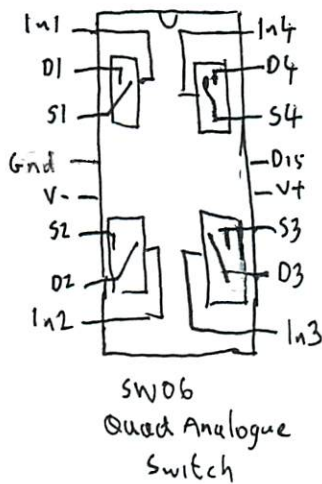
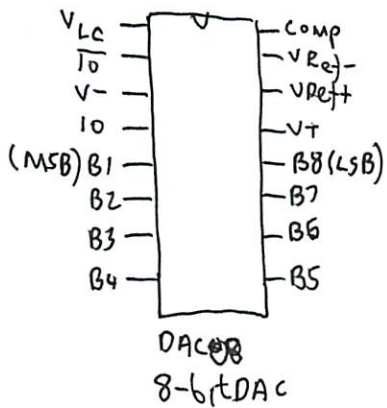
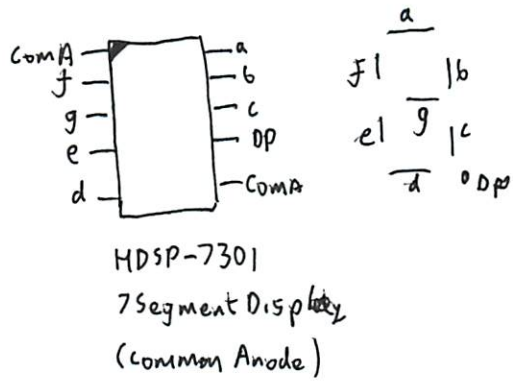
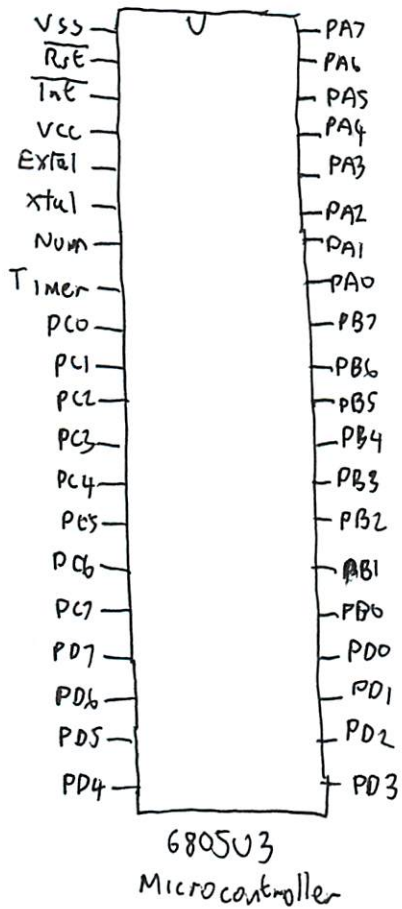


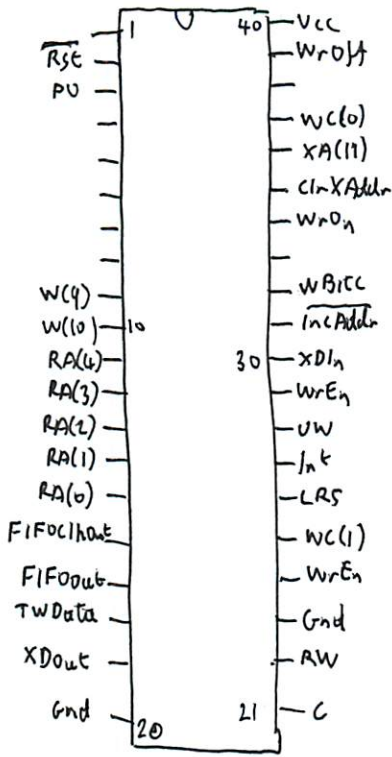
Motor
Power

SBCont
Power

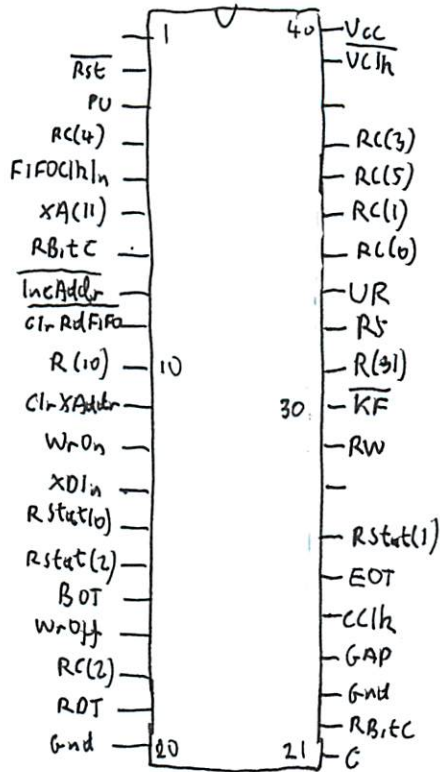
HP9143



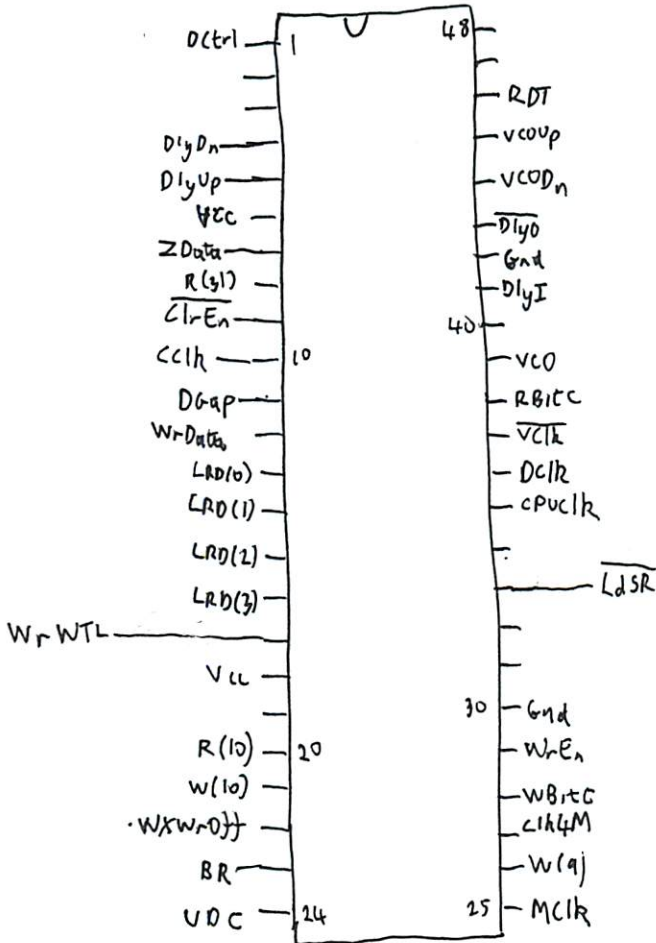




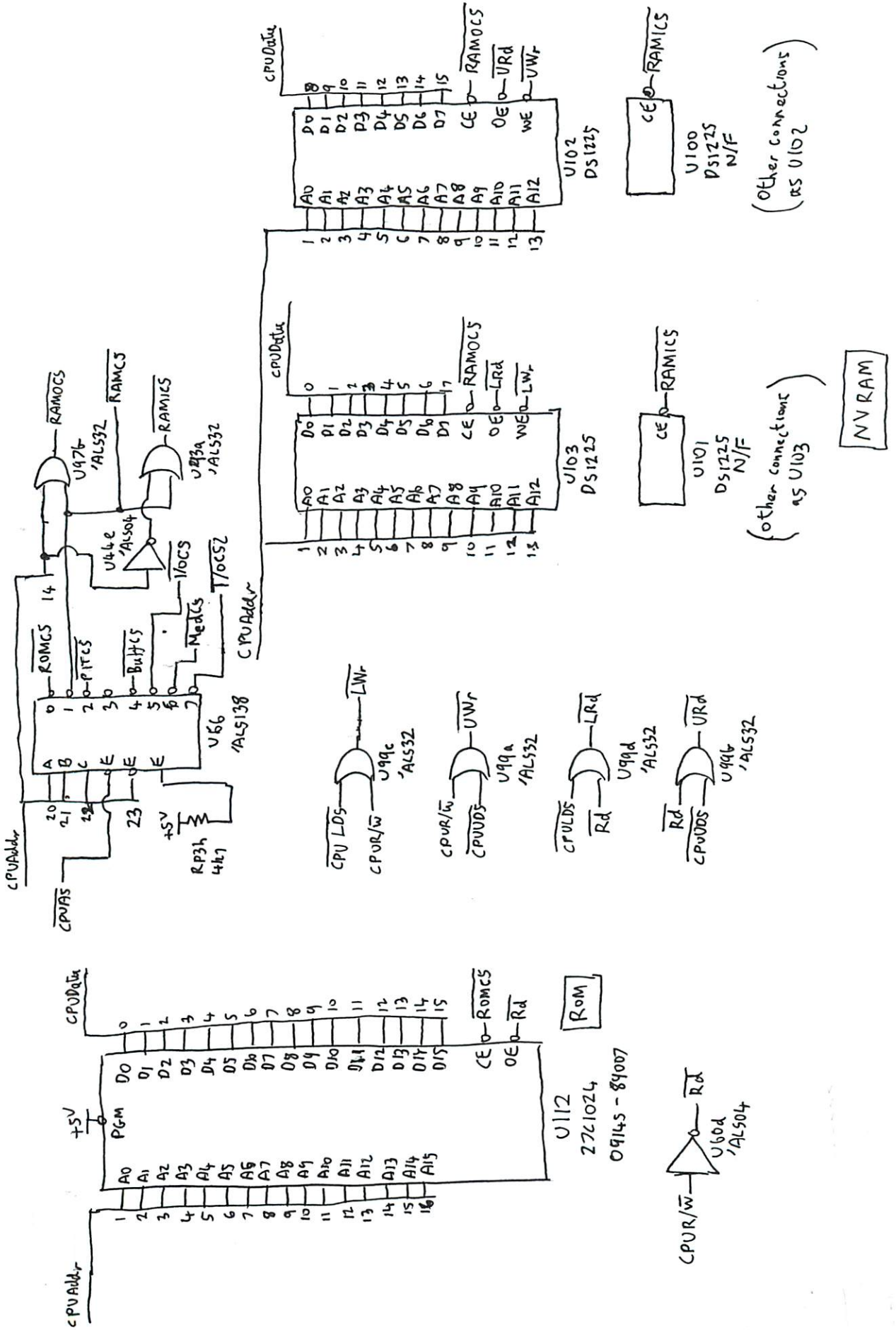
1RB2-6021
Write State
Machine

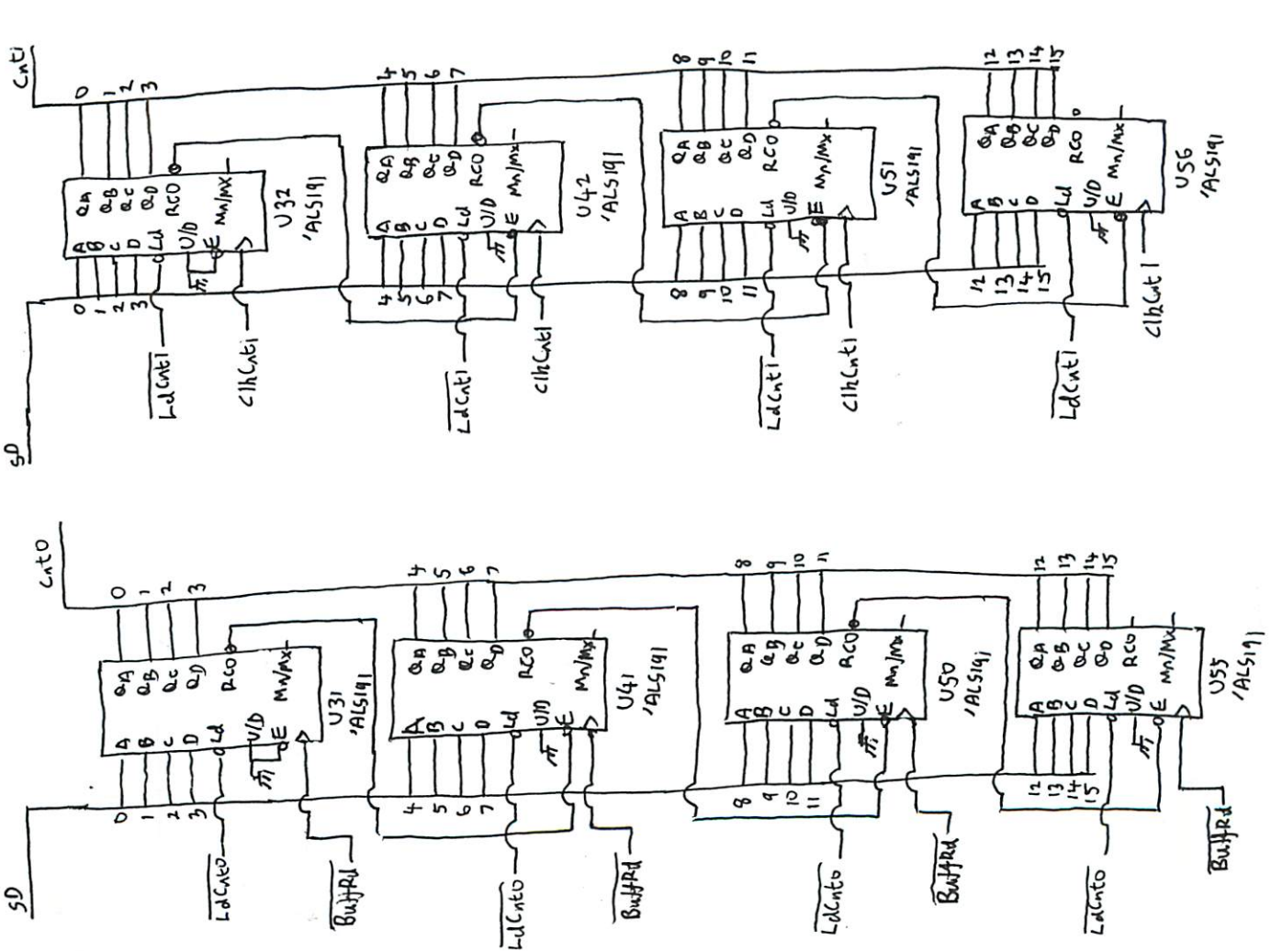
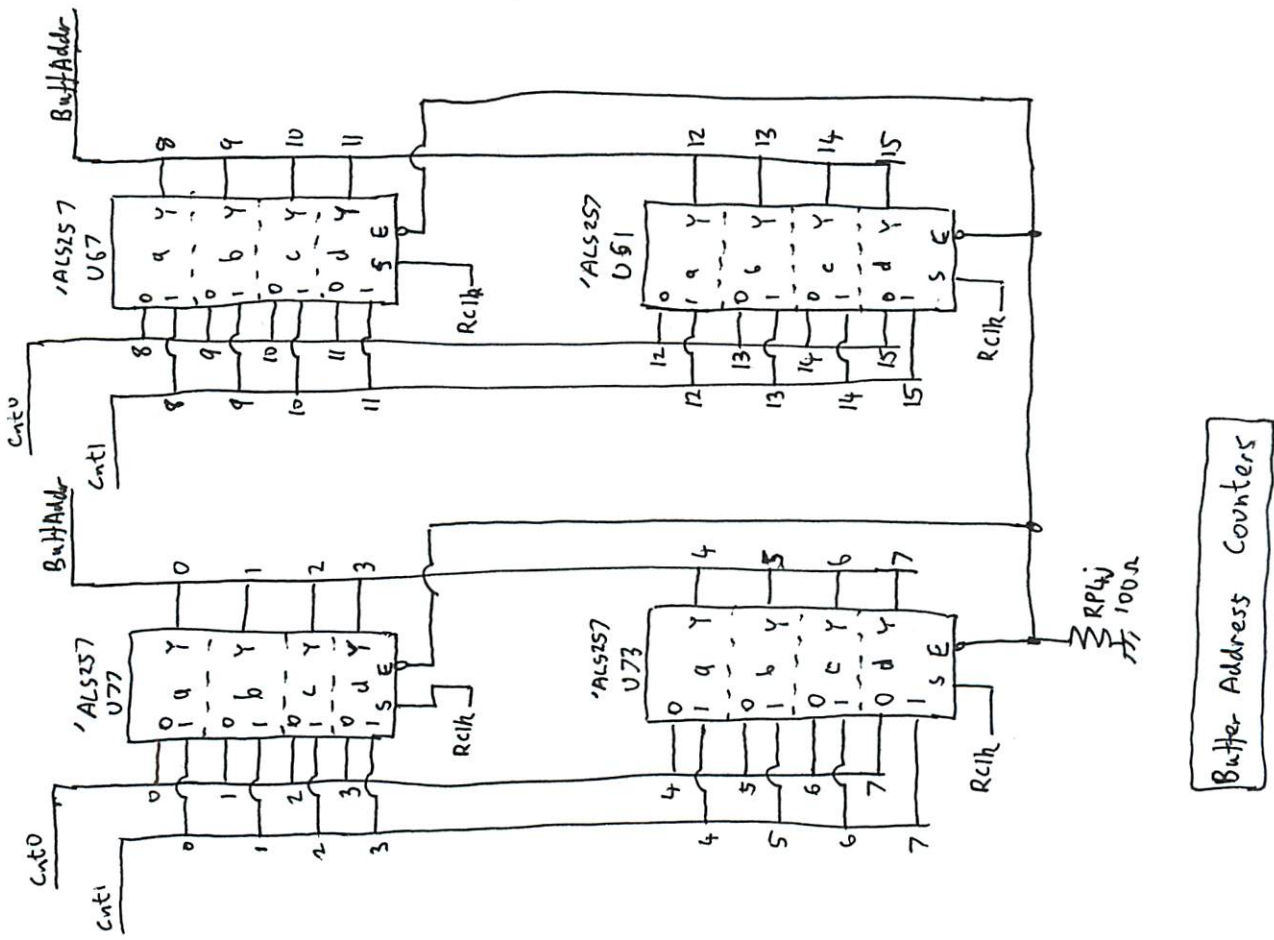


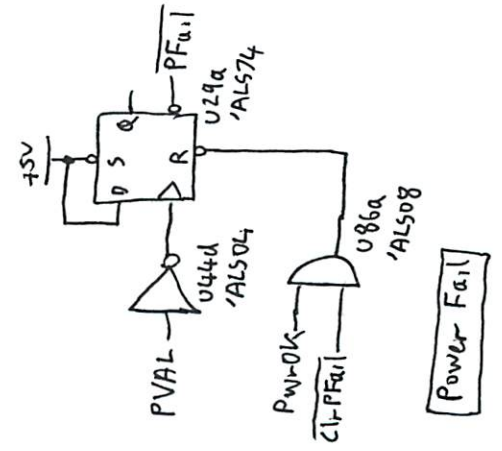
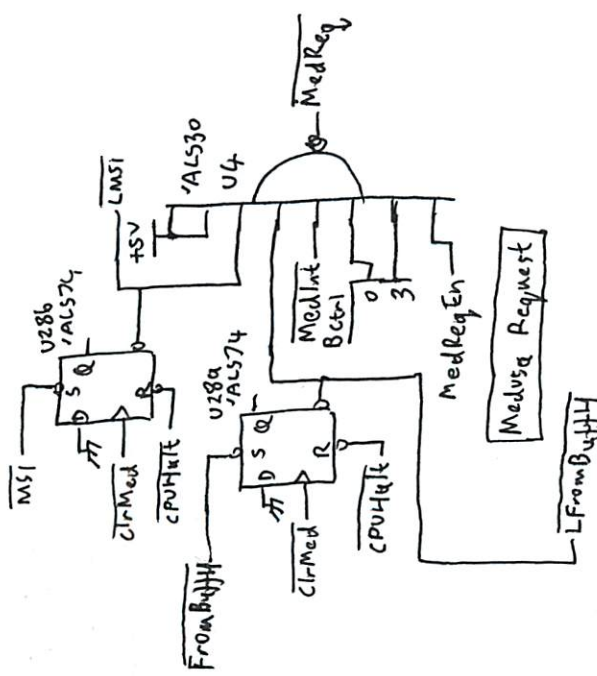
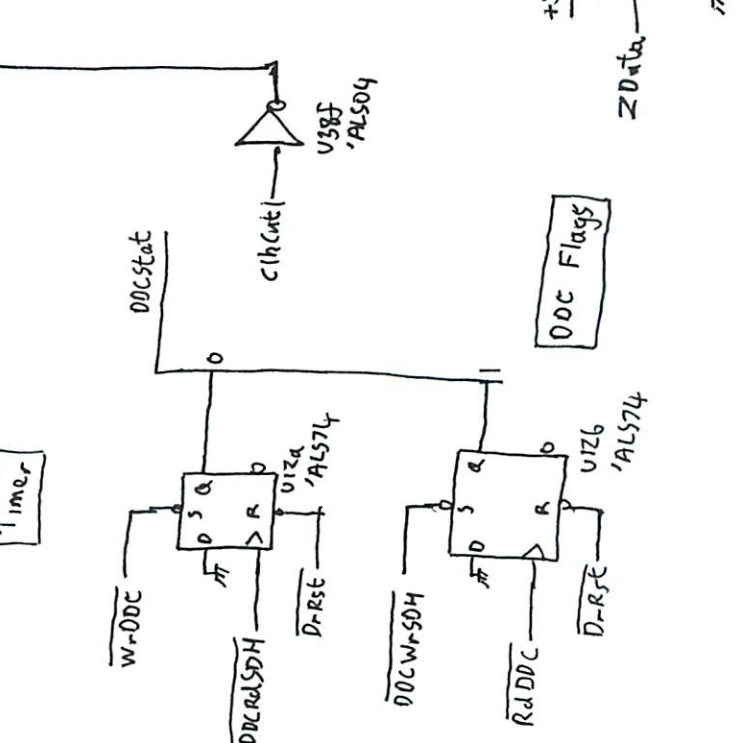
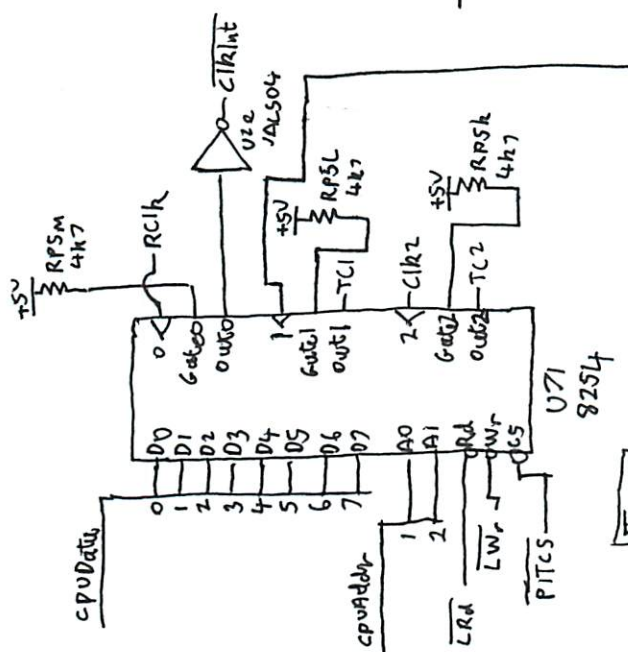
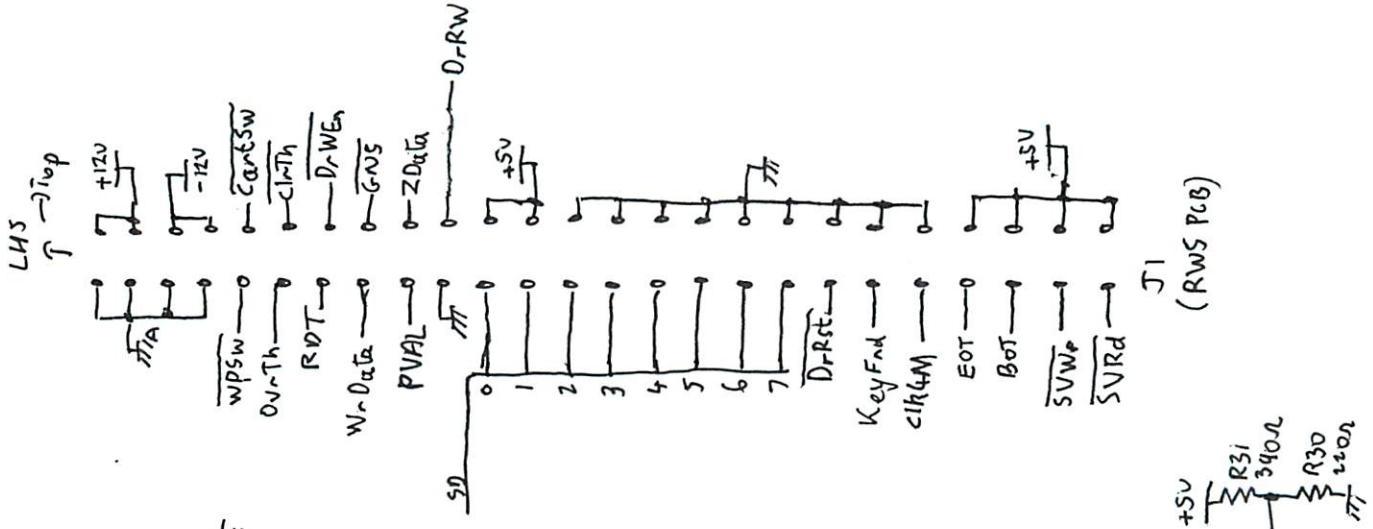
1RB2-6022
Read State
Machine

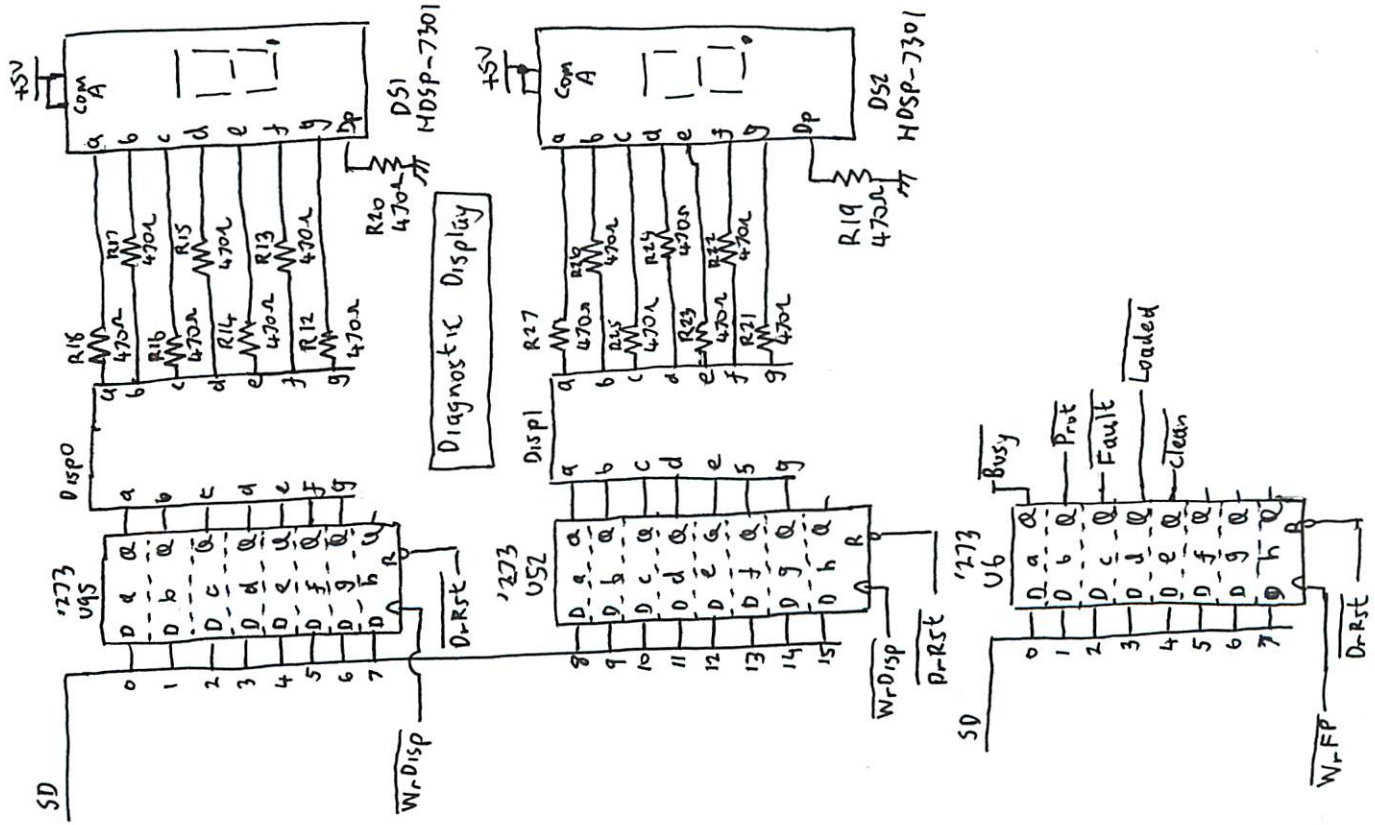
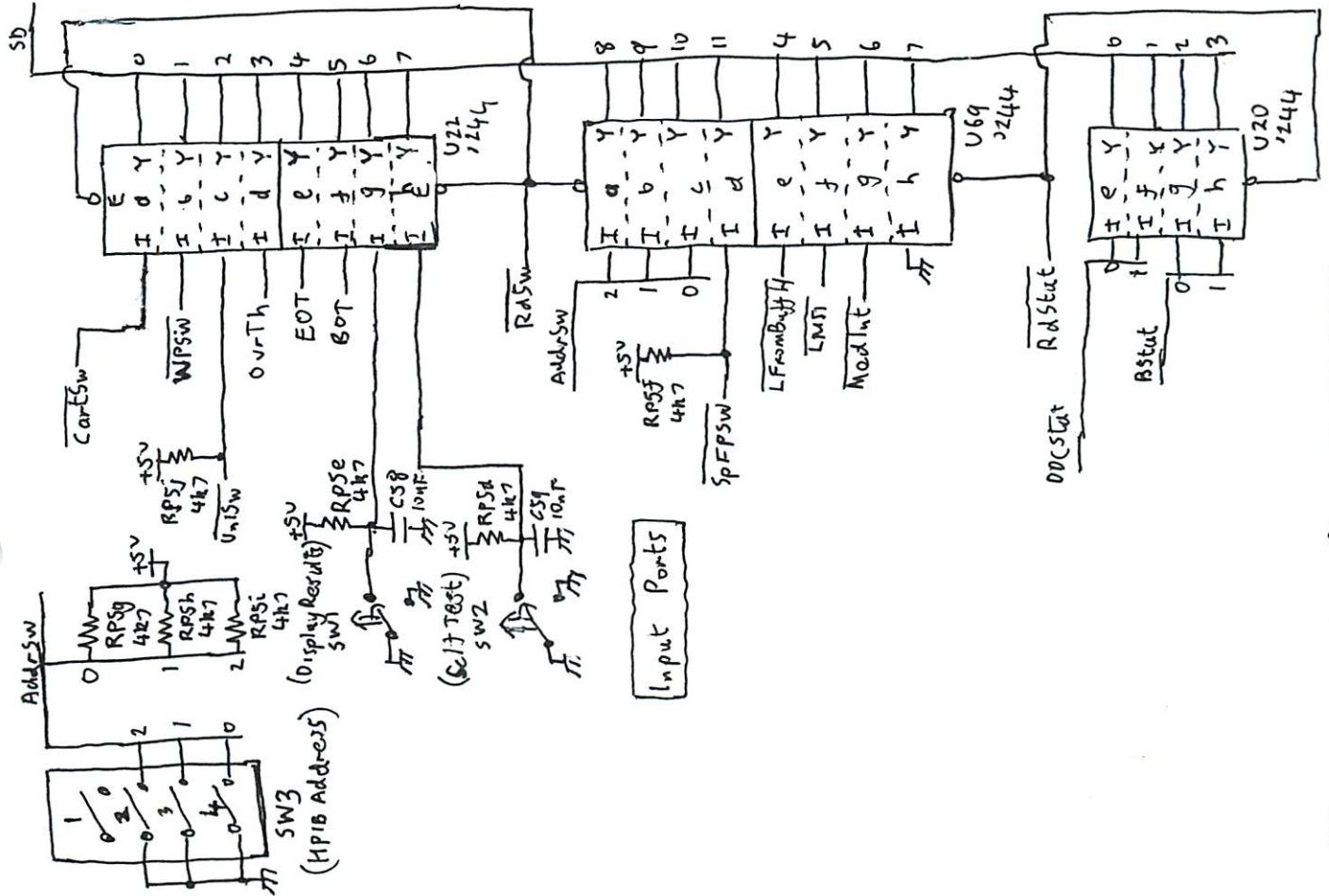


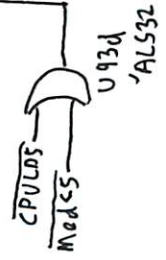
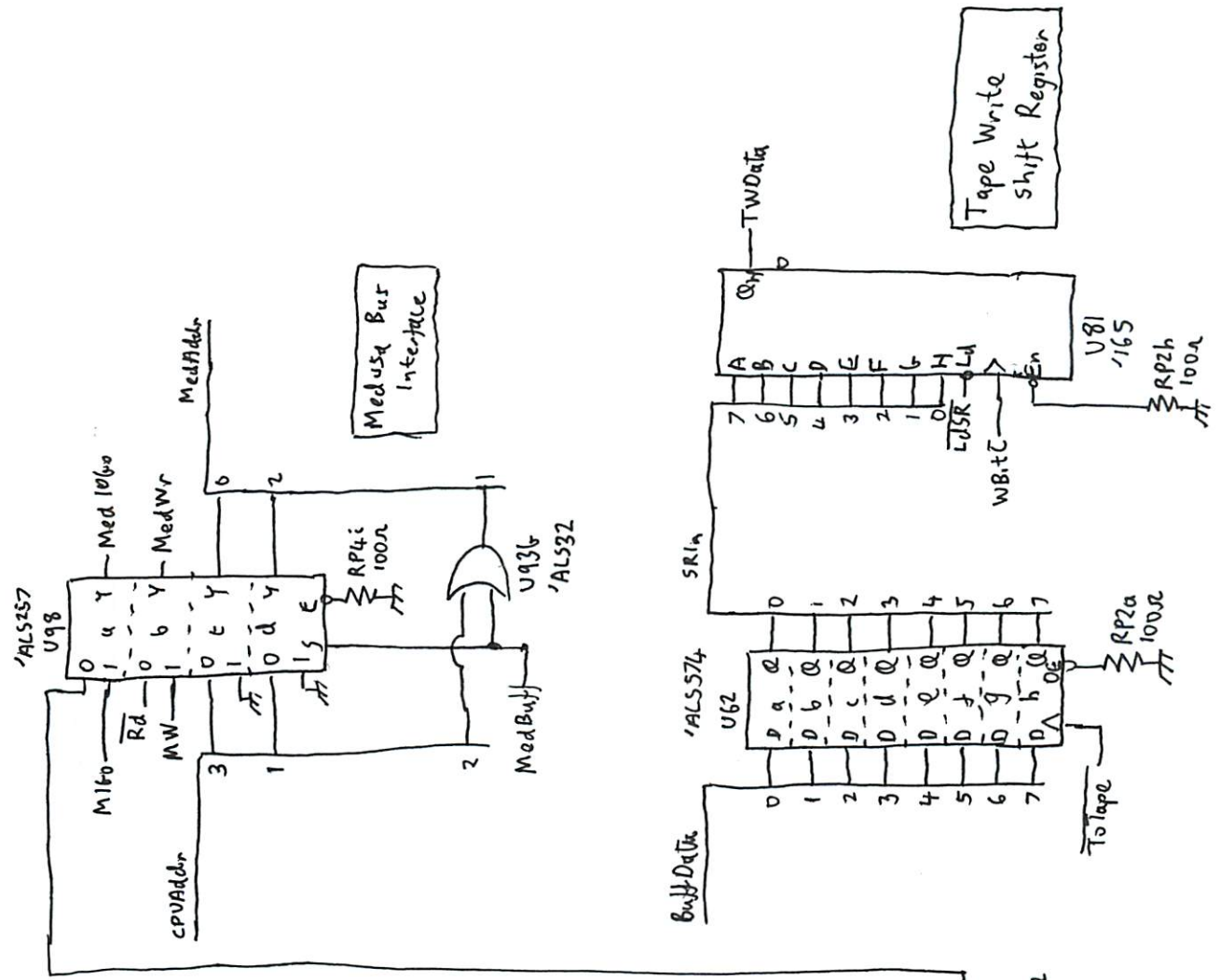
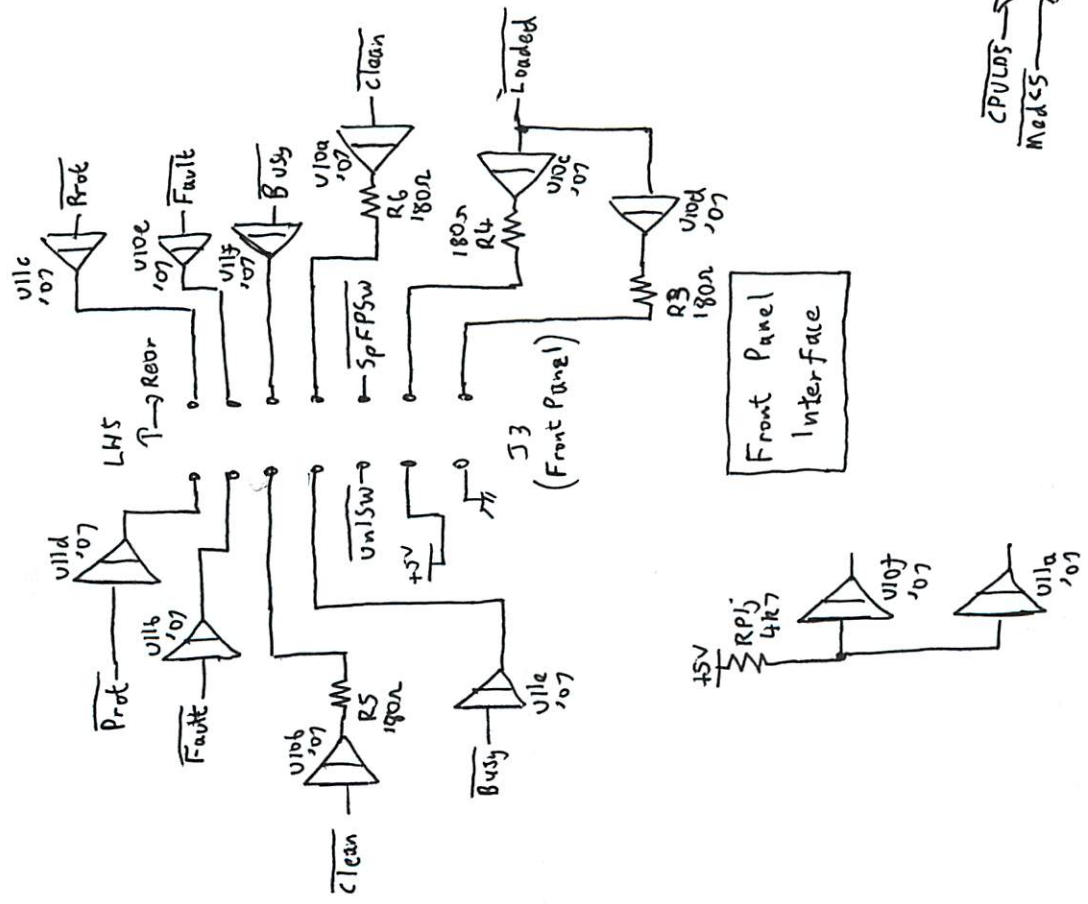
1820-5466
Drive Data/
Clock Control

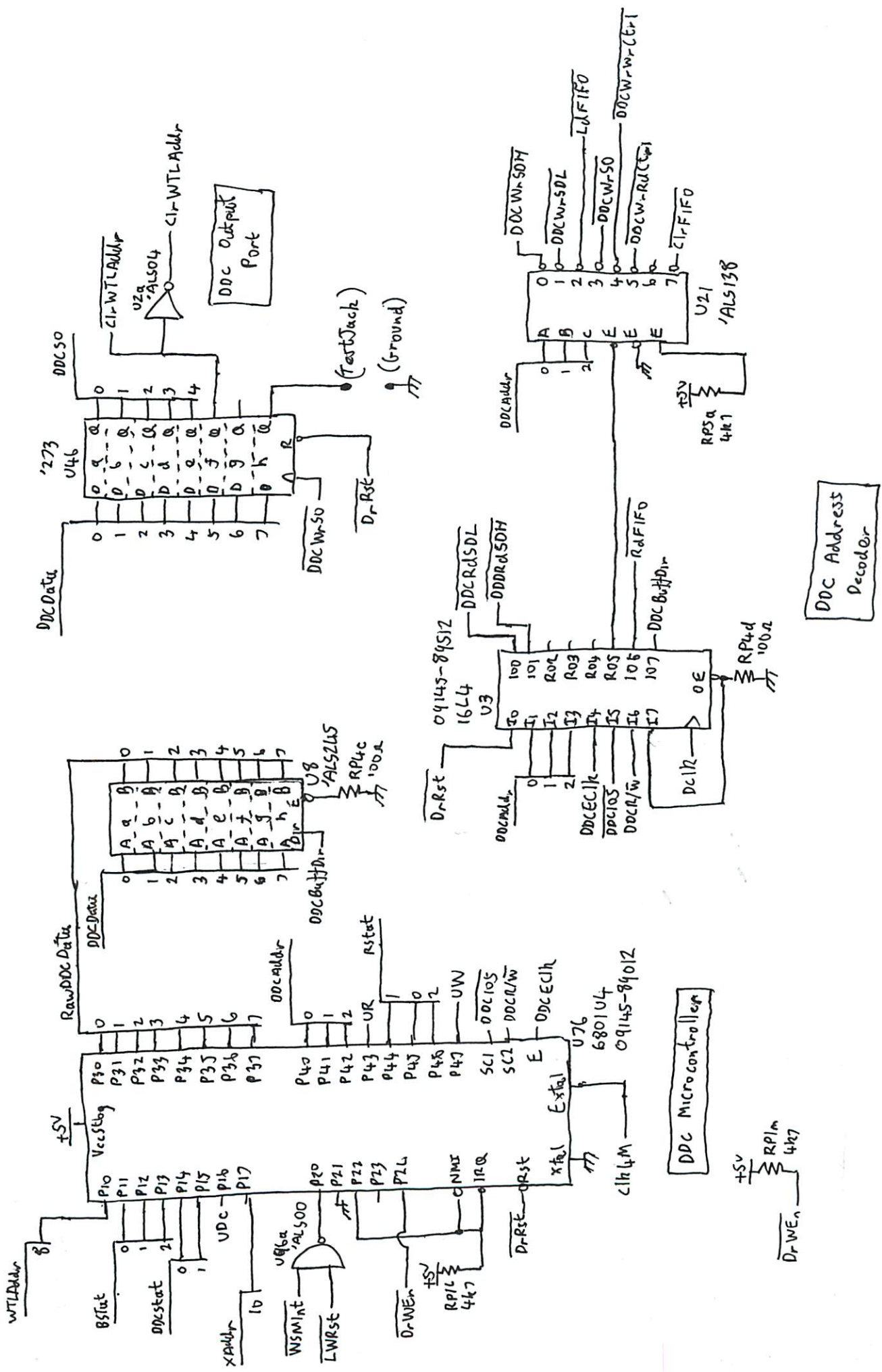


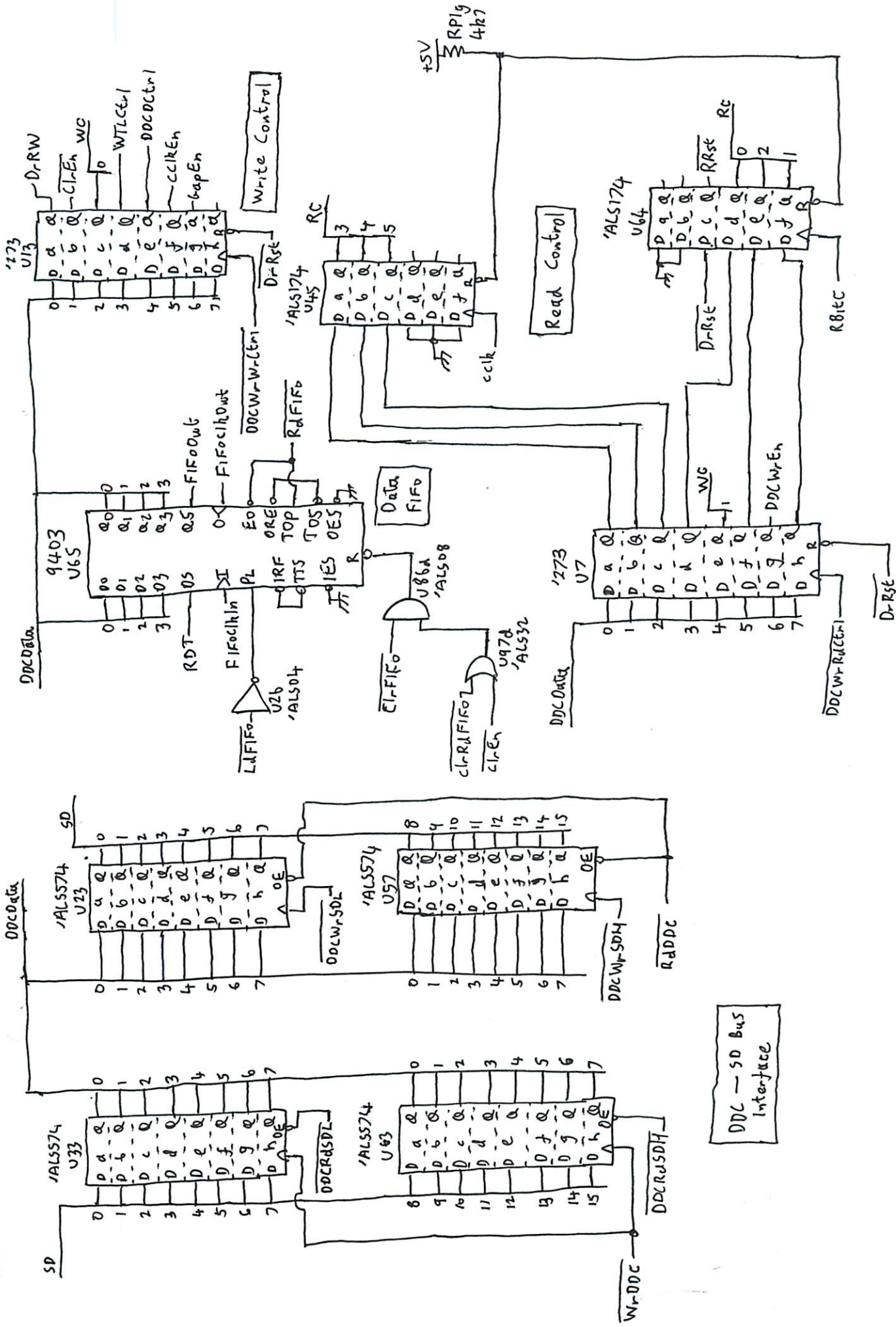




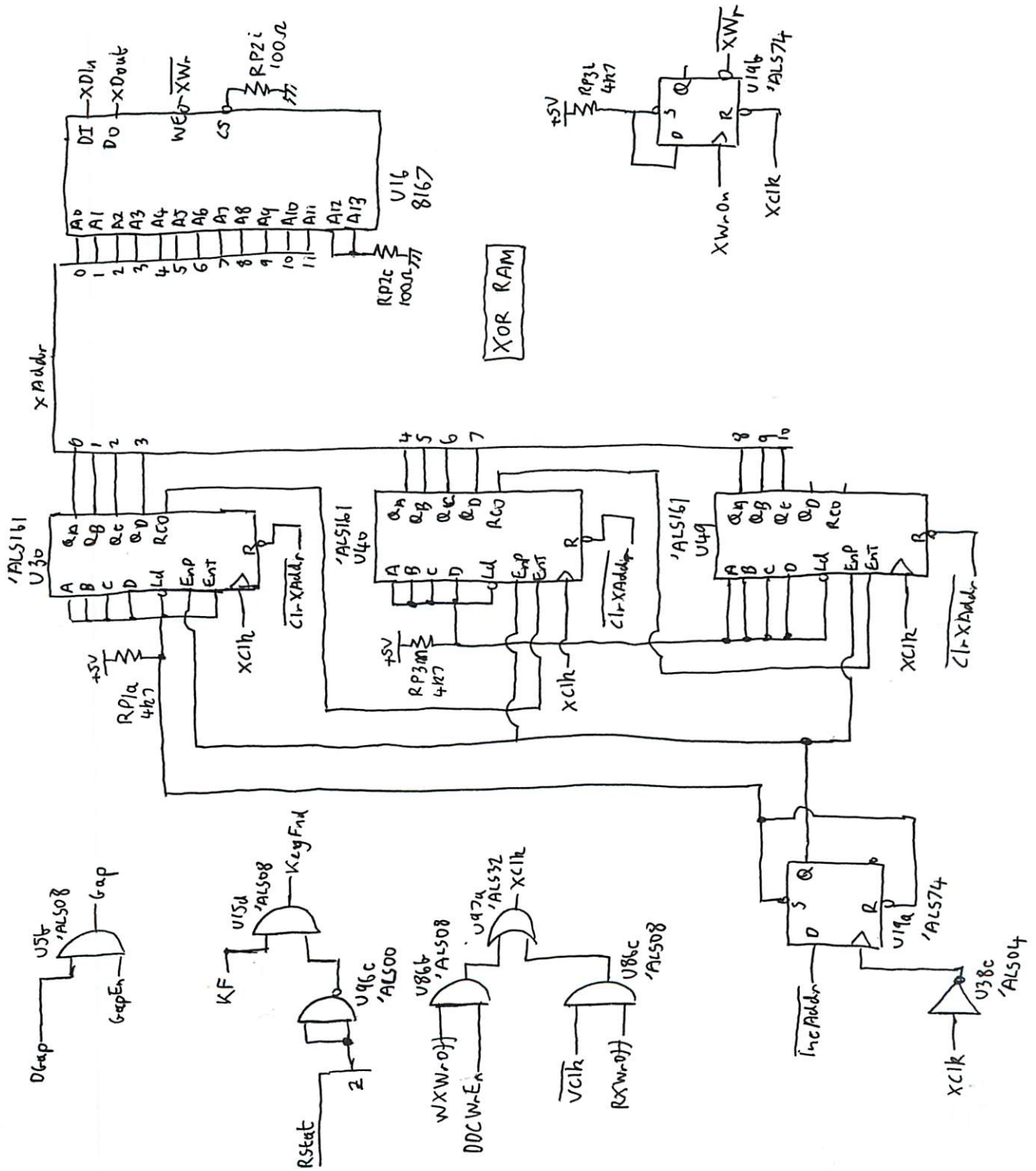




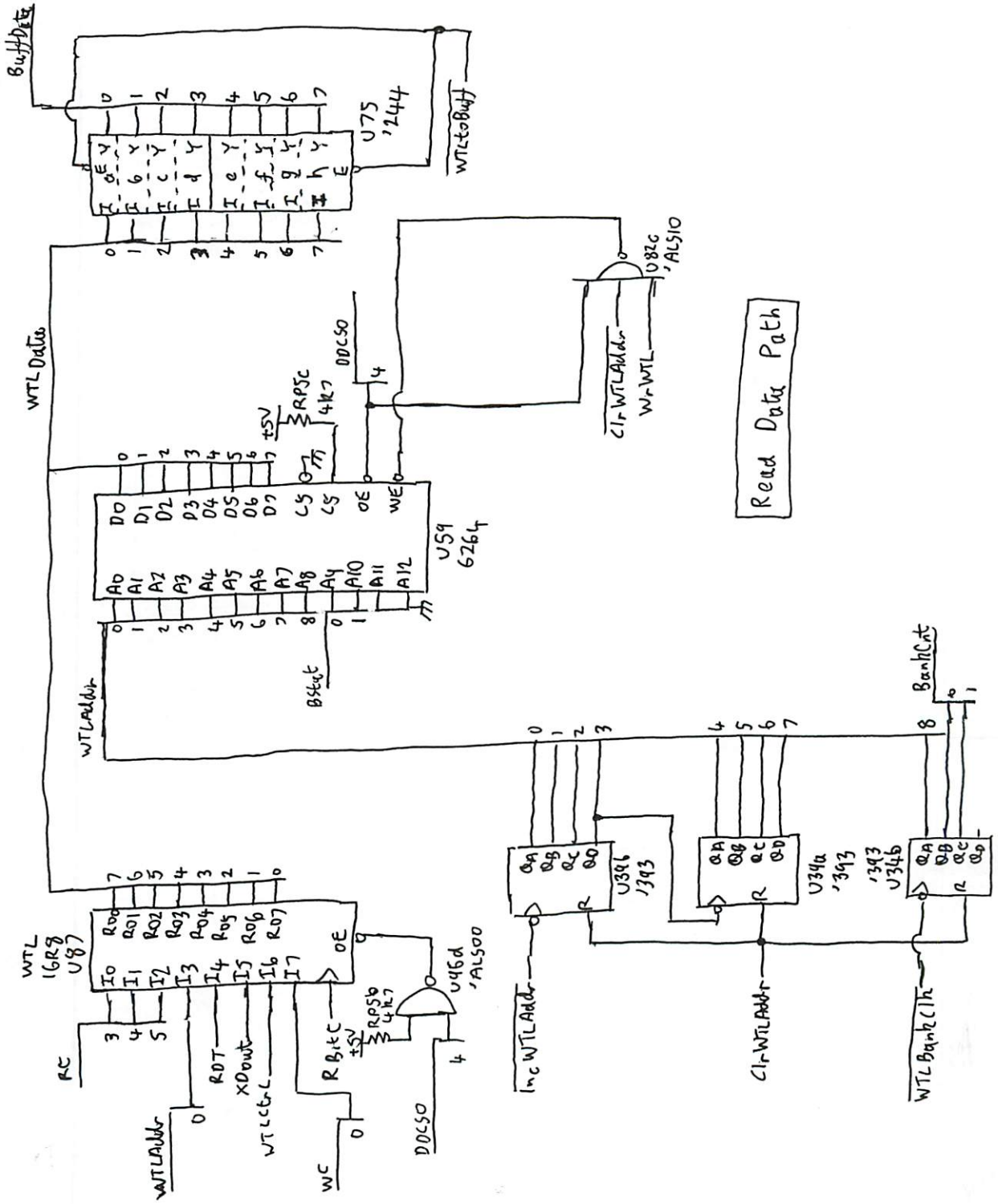


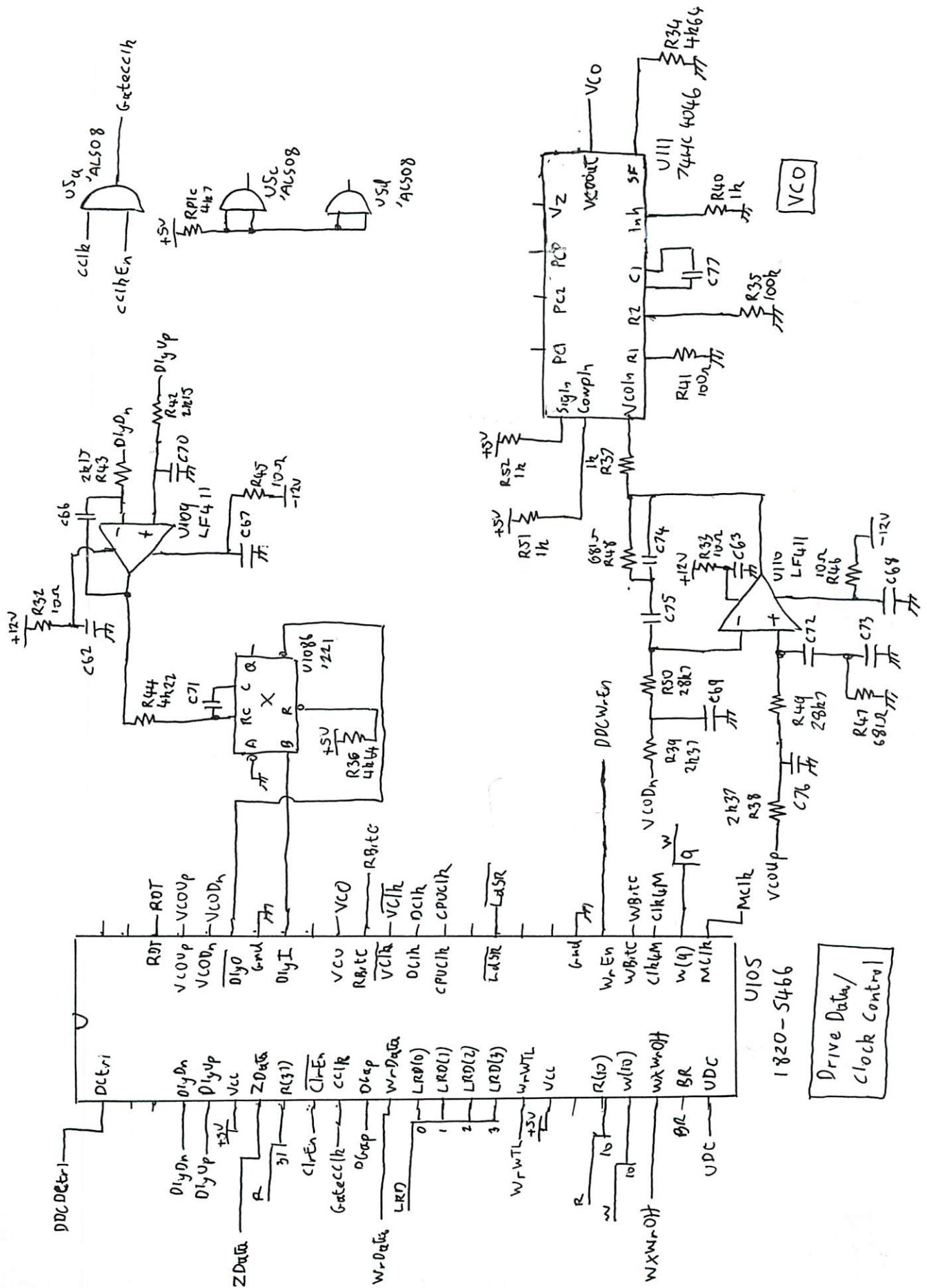


DDC - SD Bus Interface



09145-66515

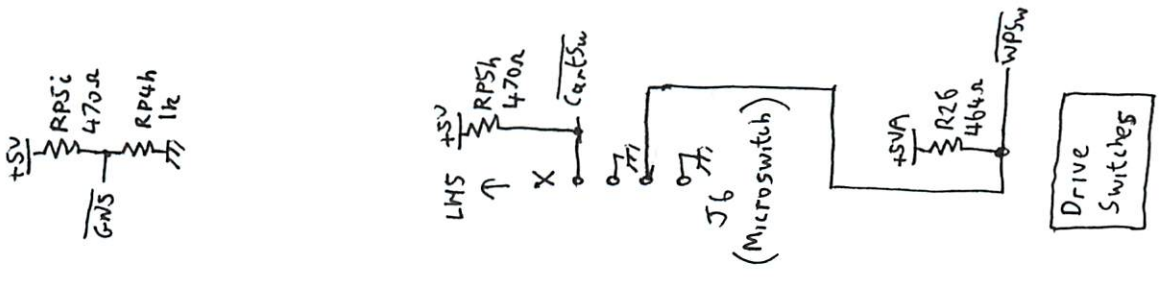
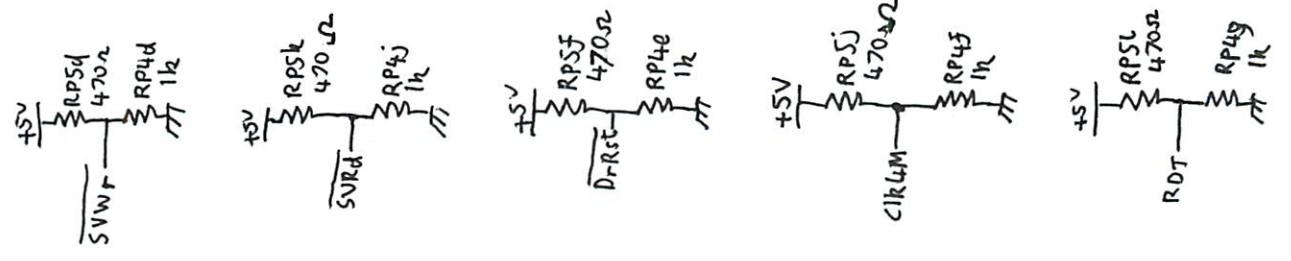
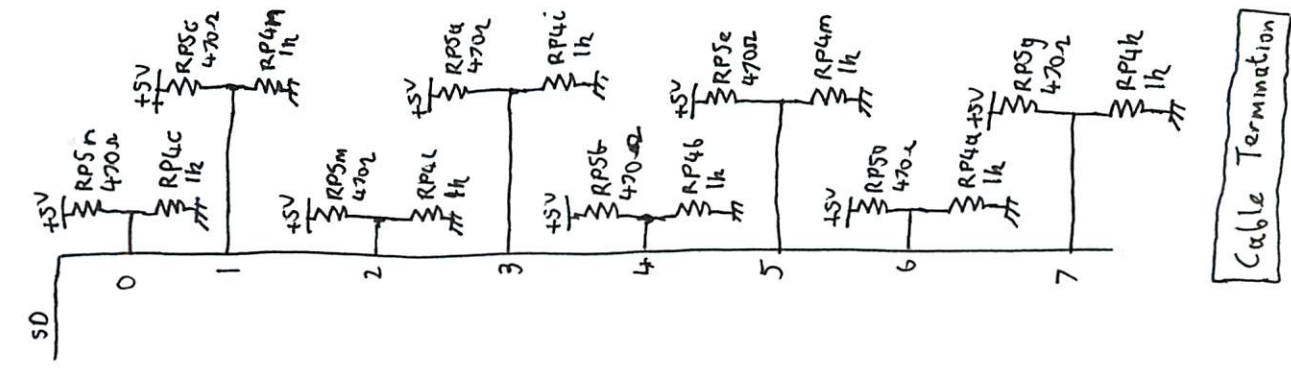
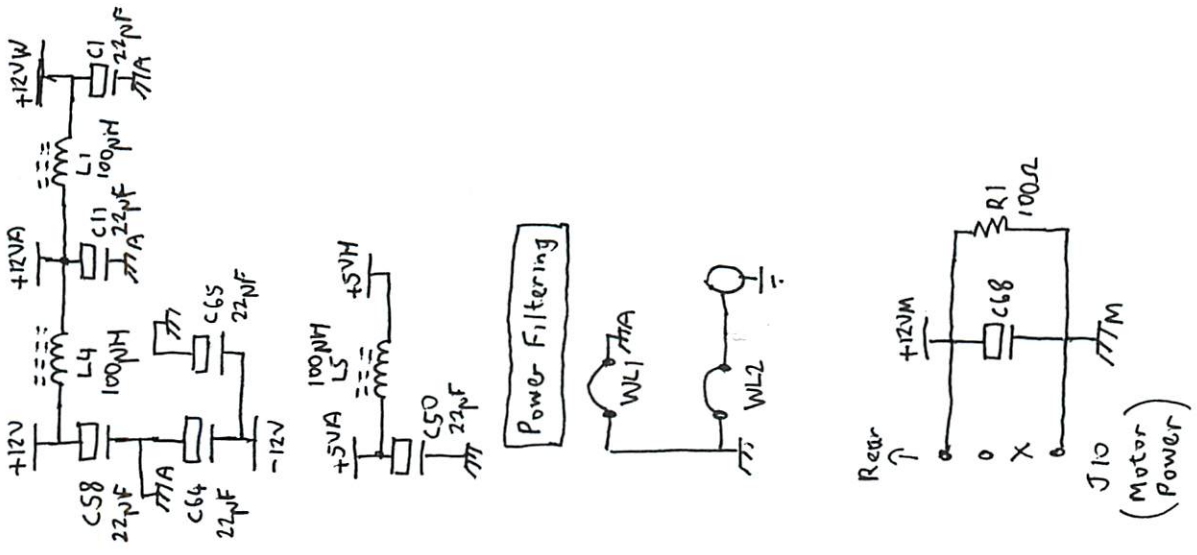
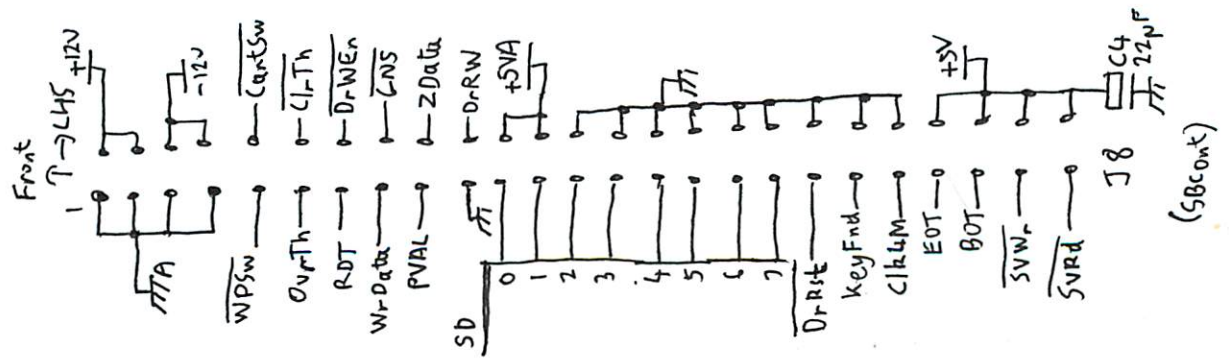




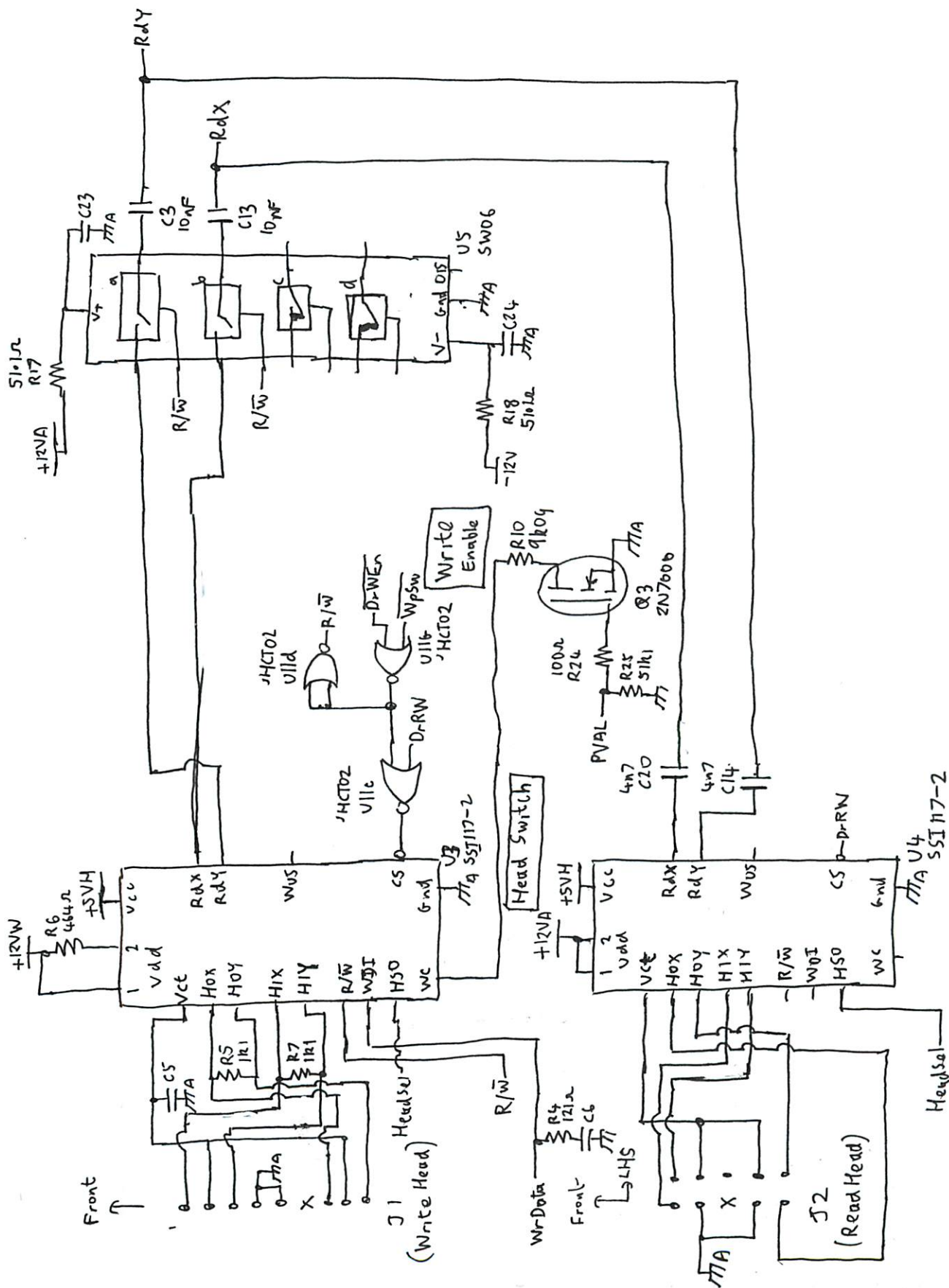
09145 - 06515

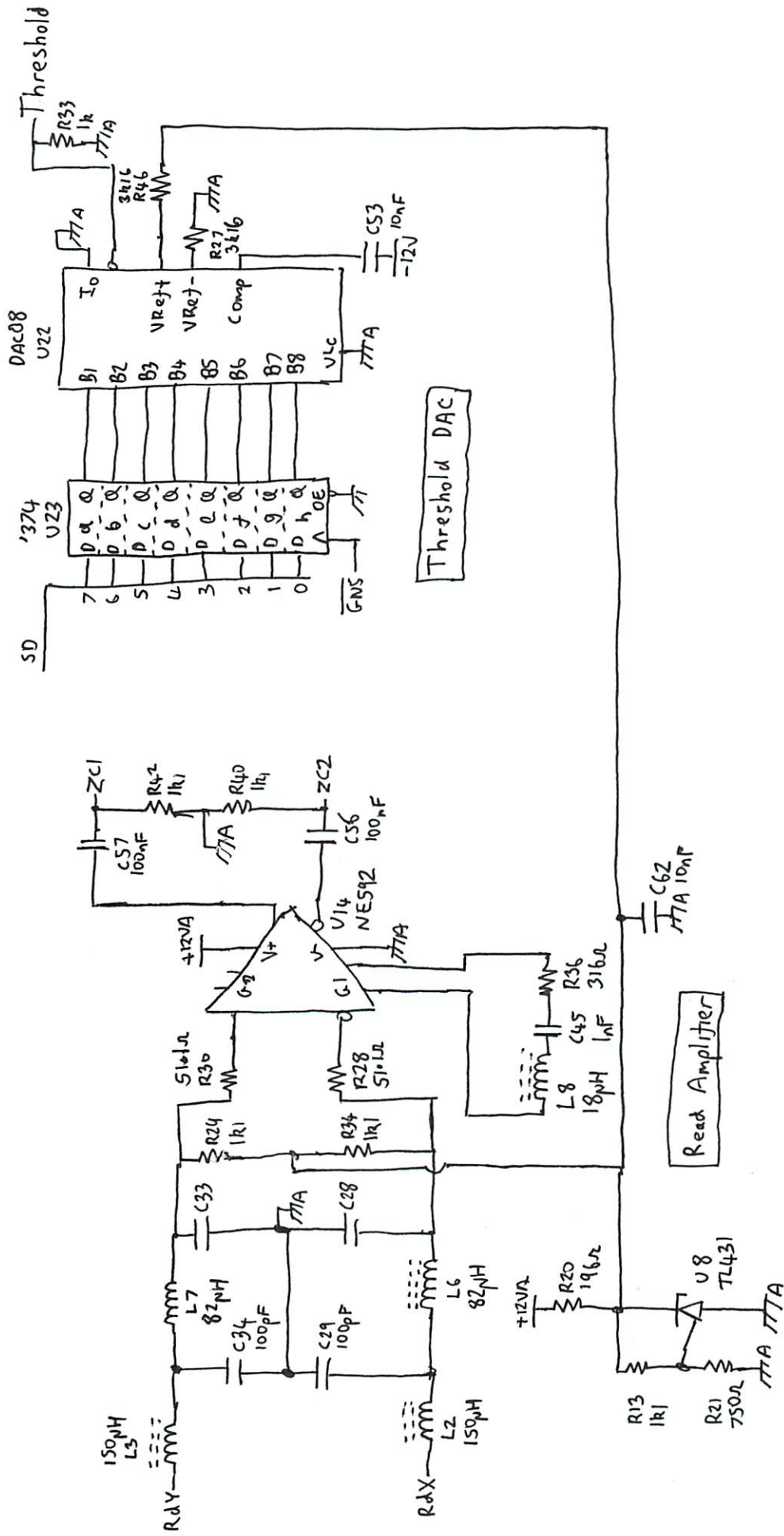
Sheet 16

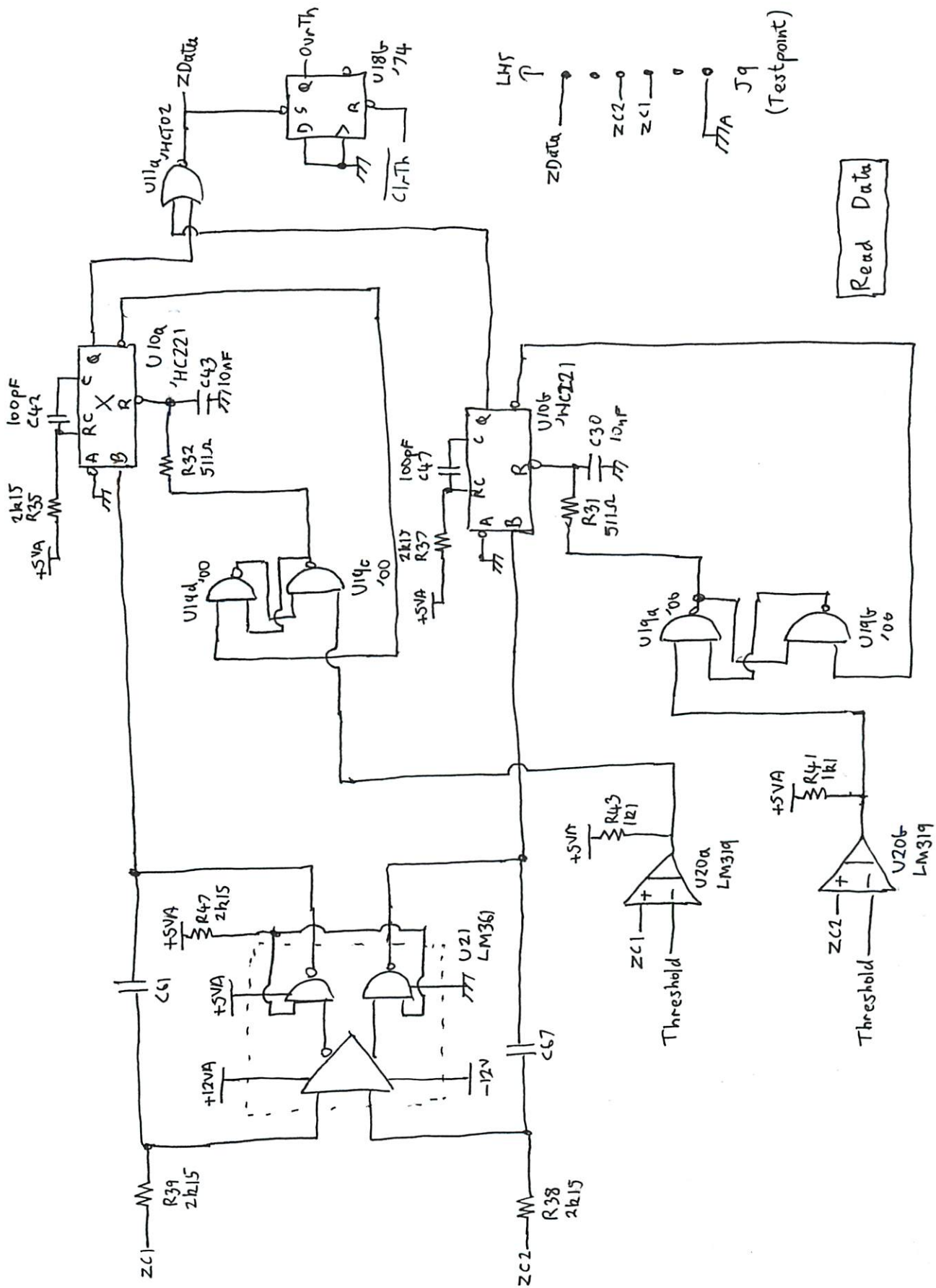
HP9145 SB Cont PCB

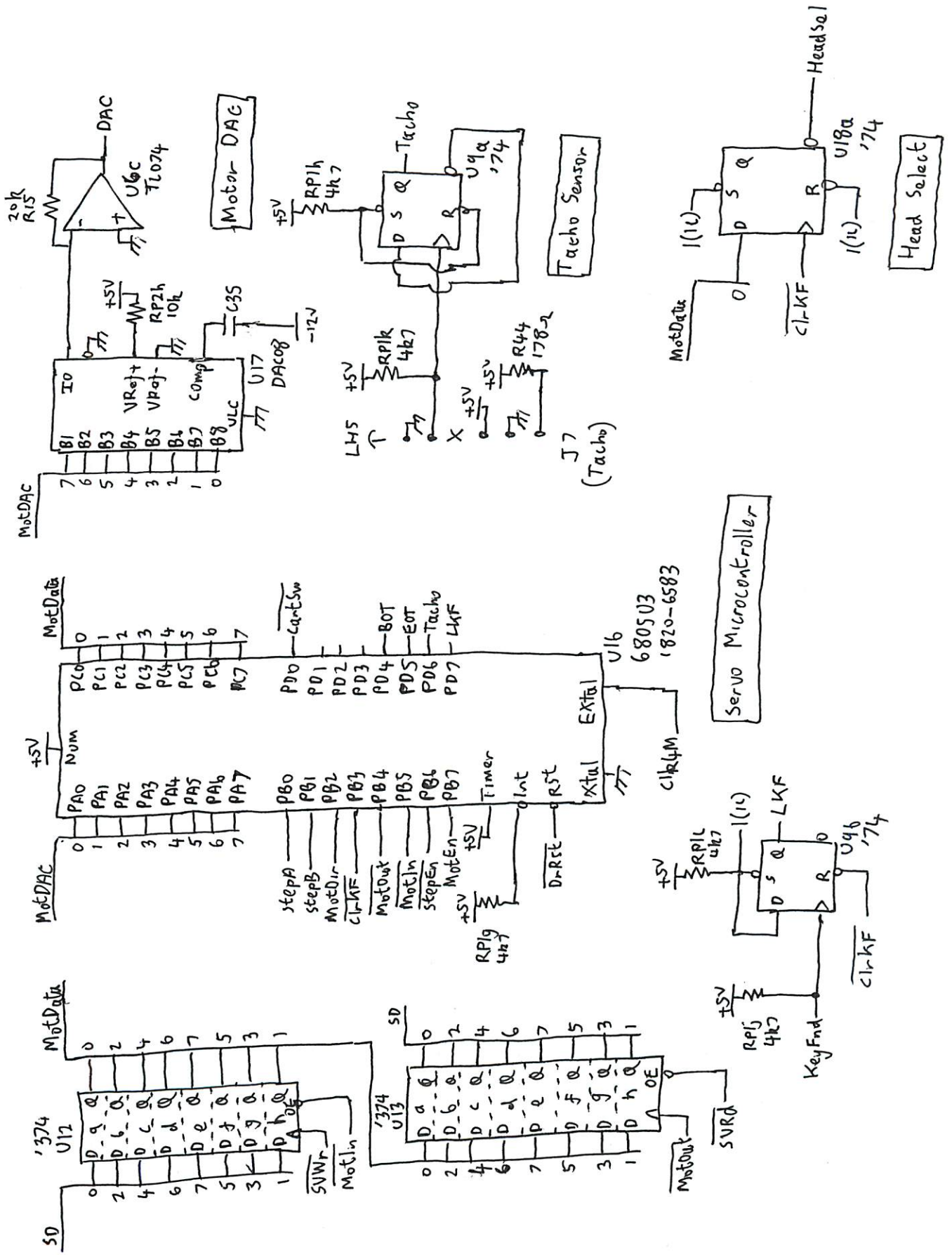


Cable Termination

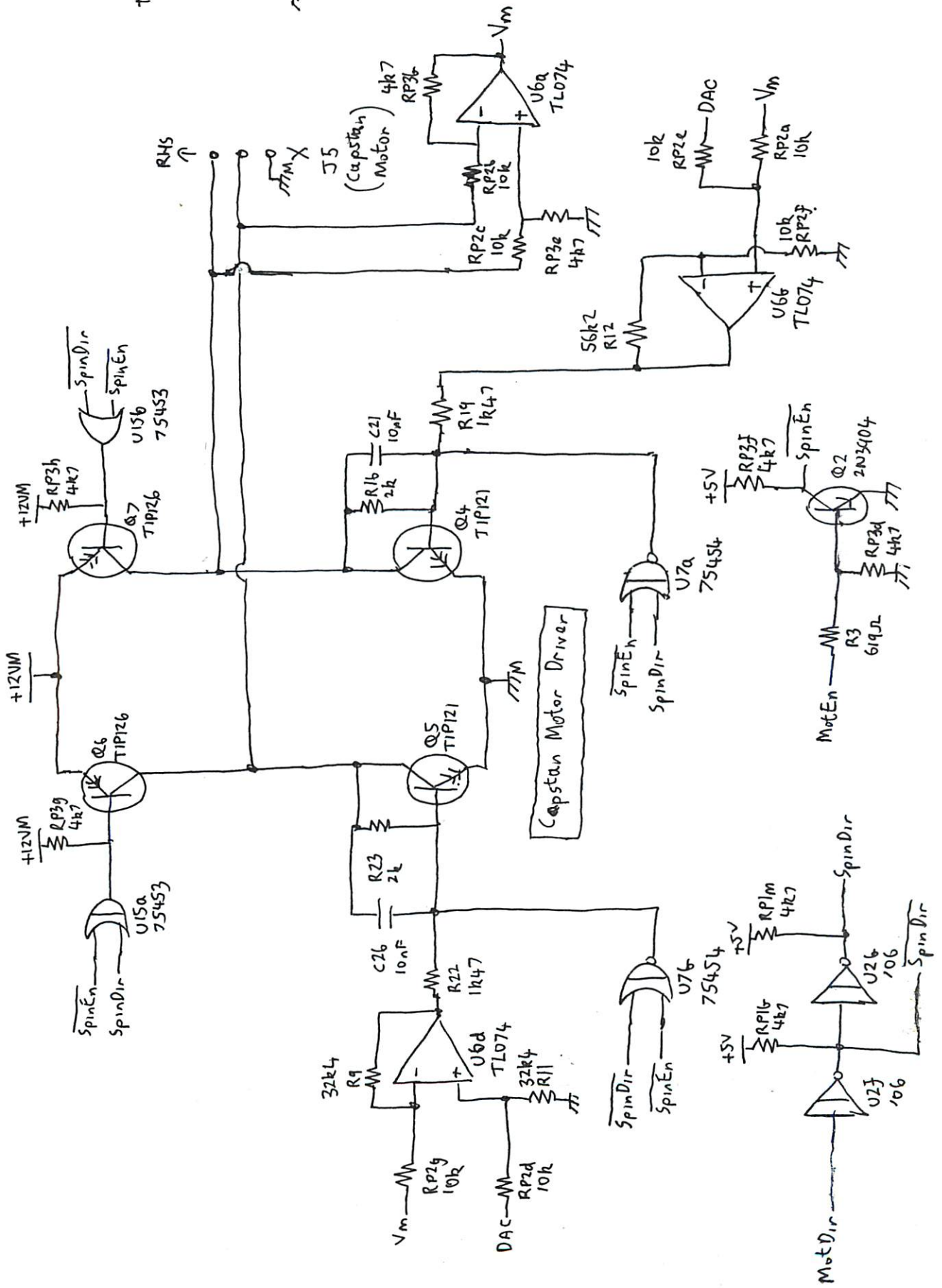


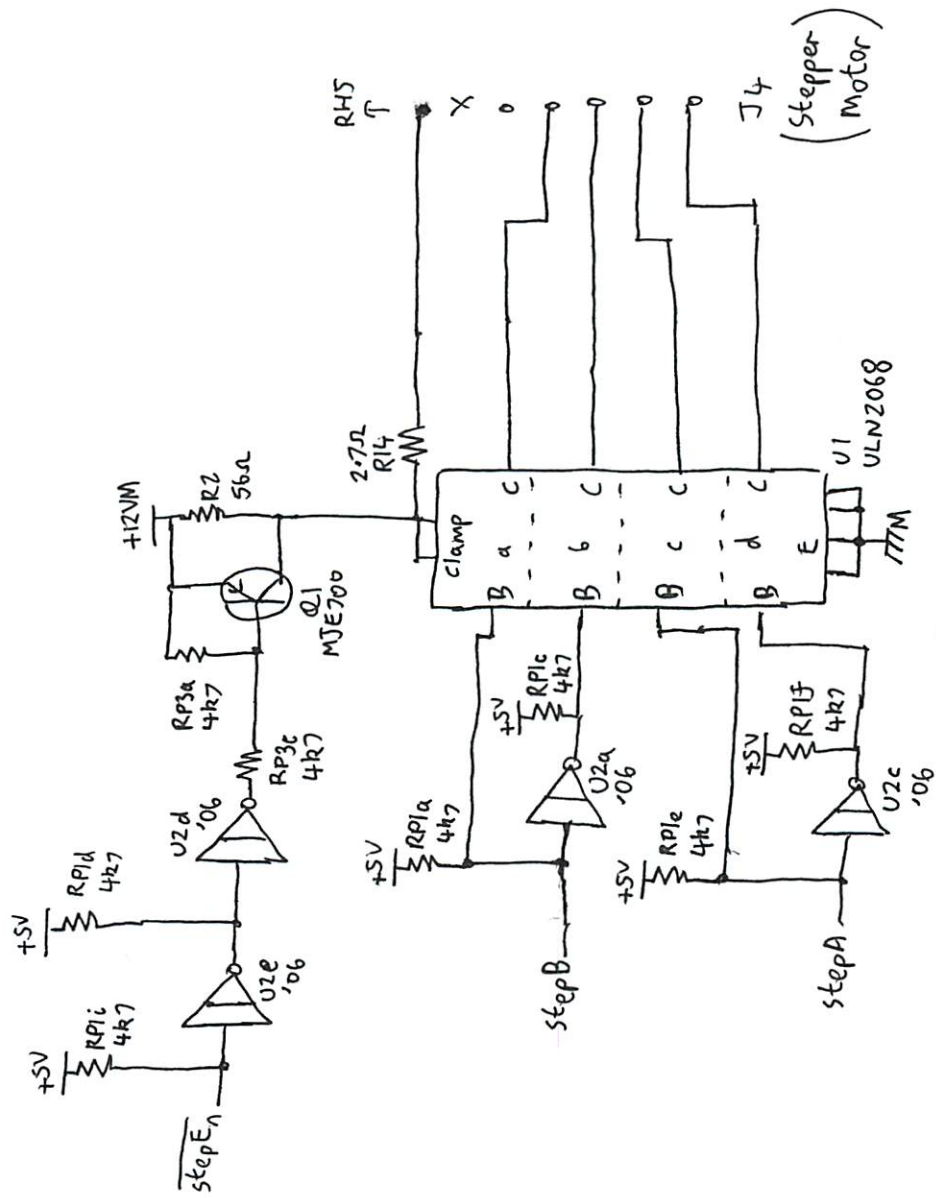




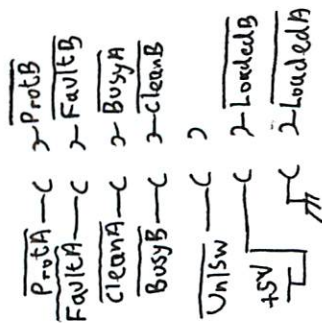
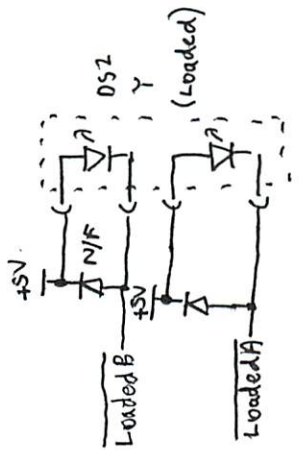
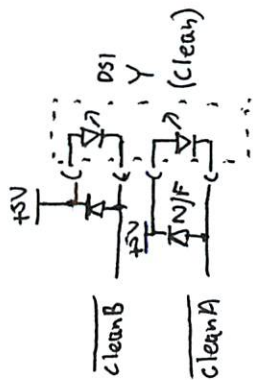
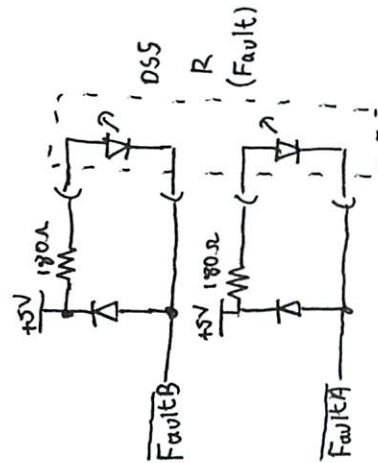
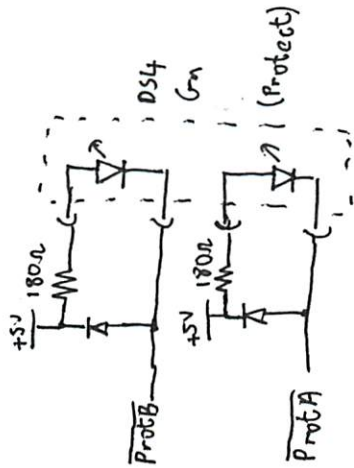
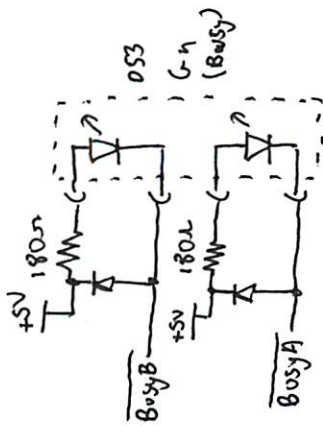


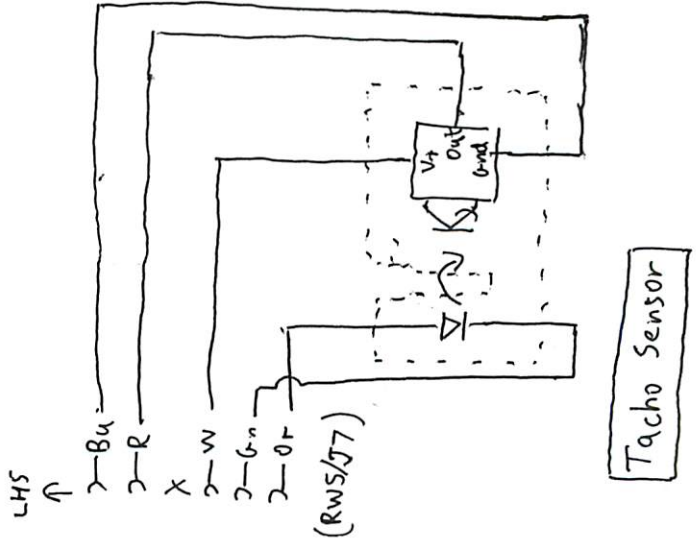
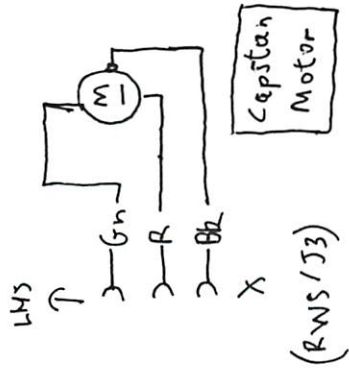
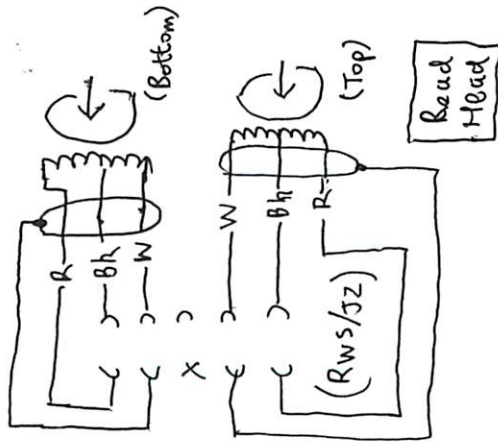
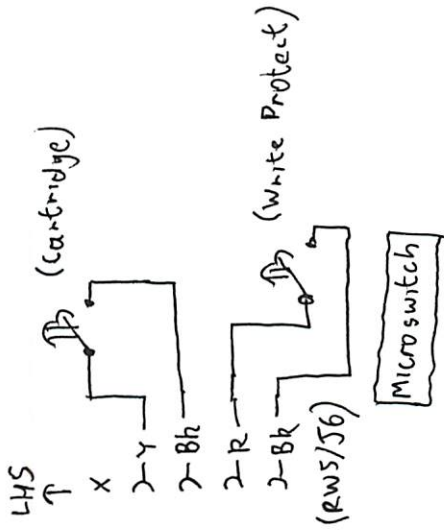
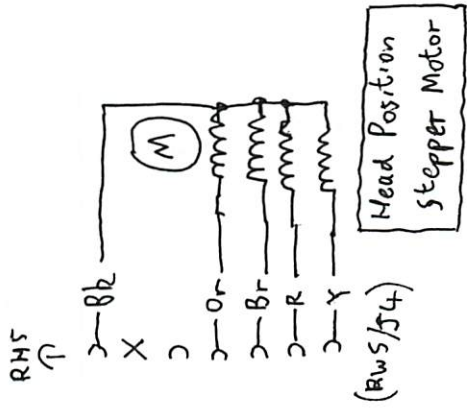
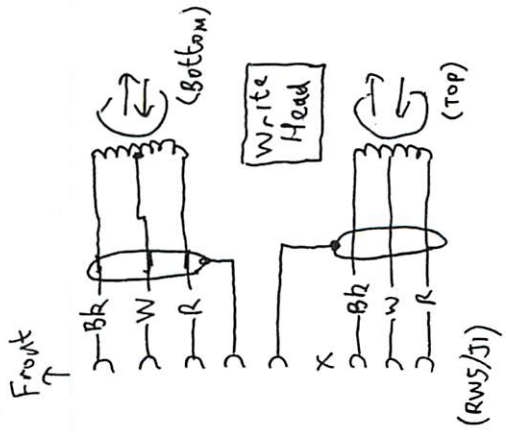
HP9145
 Tacho →
 DAC →
 Vm →
 0
 J3
 (Testpoints)





Stepper Motor Driver





HP Mass Storage PSU ETX-76108M

