

HP9154B

LHS
↑

<u>Rdy</u>	•	+12V
<u>HeadSel</u>	•	+12V
<u>RD</u>	•	+12V
<u>WrProt</u>	•	0 Gnd
<u>Trk00</u>	•	0 Gnd
<u>Wb</u>	•	0 Gnd
<u>WD</u>	•	0 Gnd
<u>step</u>	•	0 Gnd
<u>Dir</u>	•	0 Gnd
<u>Motor_n</u>	•	0 Gnd
<u>DS2</u>	•	0 Gnd
<u>DS1</u>	•	0 +5V
<u>DS0</u>	•	0 +5V
<u>Index</u>	•	0 +5V
<u>DS3</u>	•	0 +5V
<u>nUse</u>	•	0 +5V
<u>DiskChg</u>	•	0 DiskChgRst

Floppy Drive
Connector

- Front
↑
- +12V
 - +12VP
 - Gnd(p)
 - Gnd
 - PVAL
 - X
 - Gnd
 - +5V

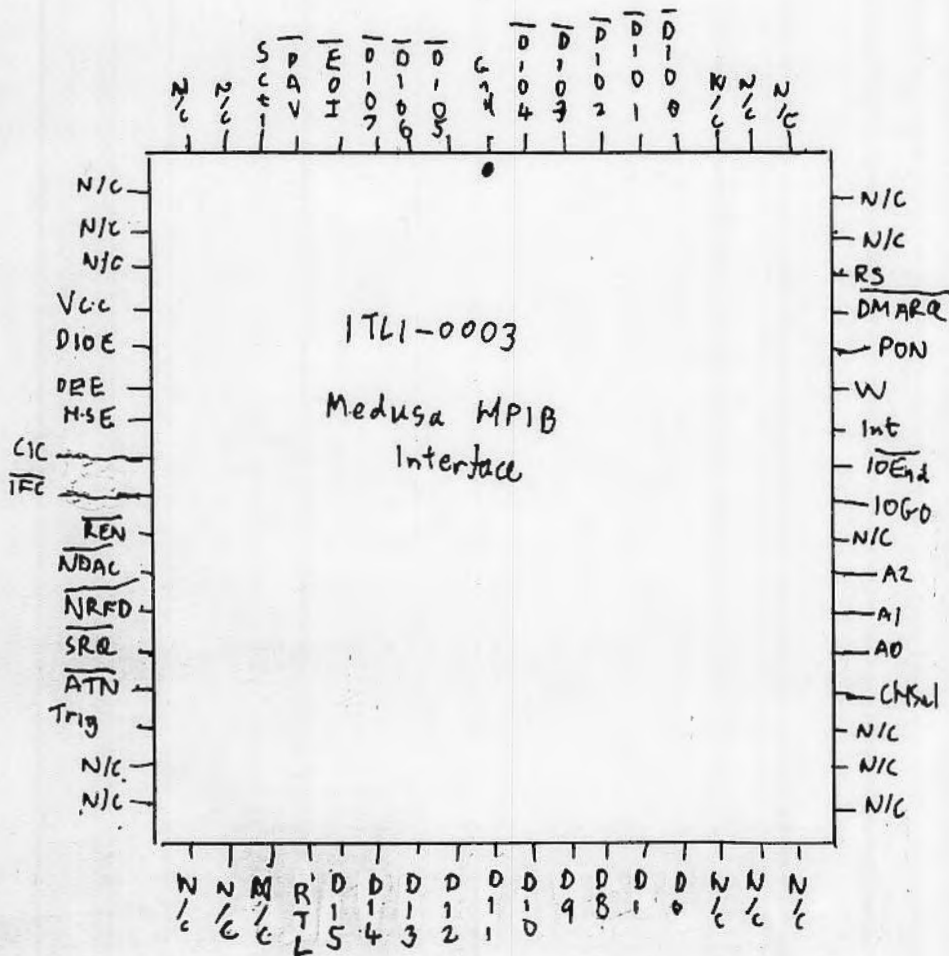
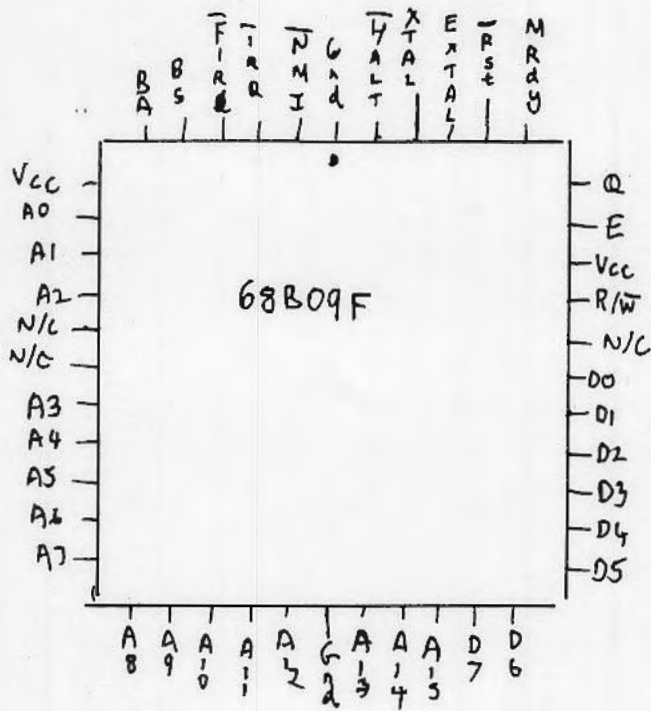
Controller
Power
Connector

LHS
↑

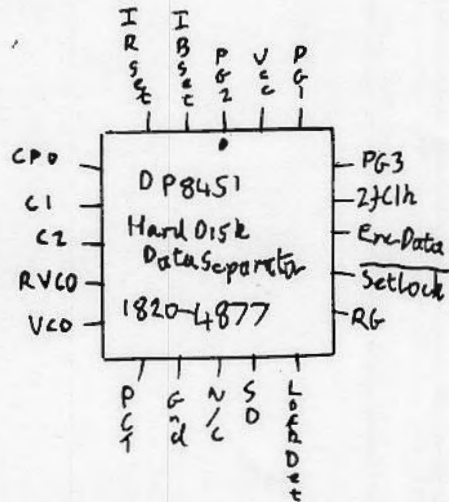
D3	•	D4
D2	•	D5
D1	•	D6
D0	•	D7
+12V	•	Fault
+12VP	•	+12VP
Rst	•	WrNIC
<u>Index</u>	•	Section
<u>NA/B</u>	•	<u>WDAC</u>
DS3	•	DS2
DS1	•	DS0
Gnd(p)	•	+12VP
Gnd(p)	•	+12VP
Gnd(p)	•	+5V
Gnd(p)	•	+5V
Gnd(p)	•	<u>RdAOC</u>
Gnd(p)	•	• 14.4MHz
Gnd(p)	•	• WG
Gnd(p) -	•	• WD
Gnd(p) -	•	• RD

Hard Drive
Connector

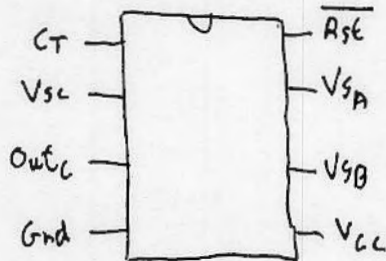
HP 9154B



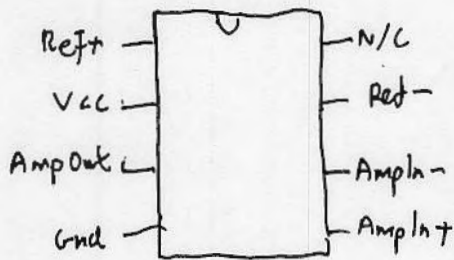
HP9154B



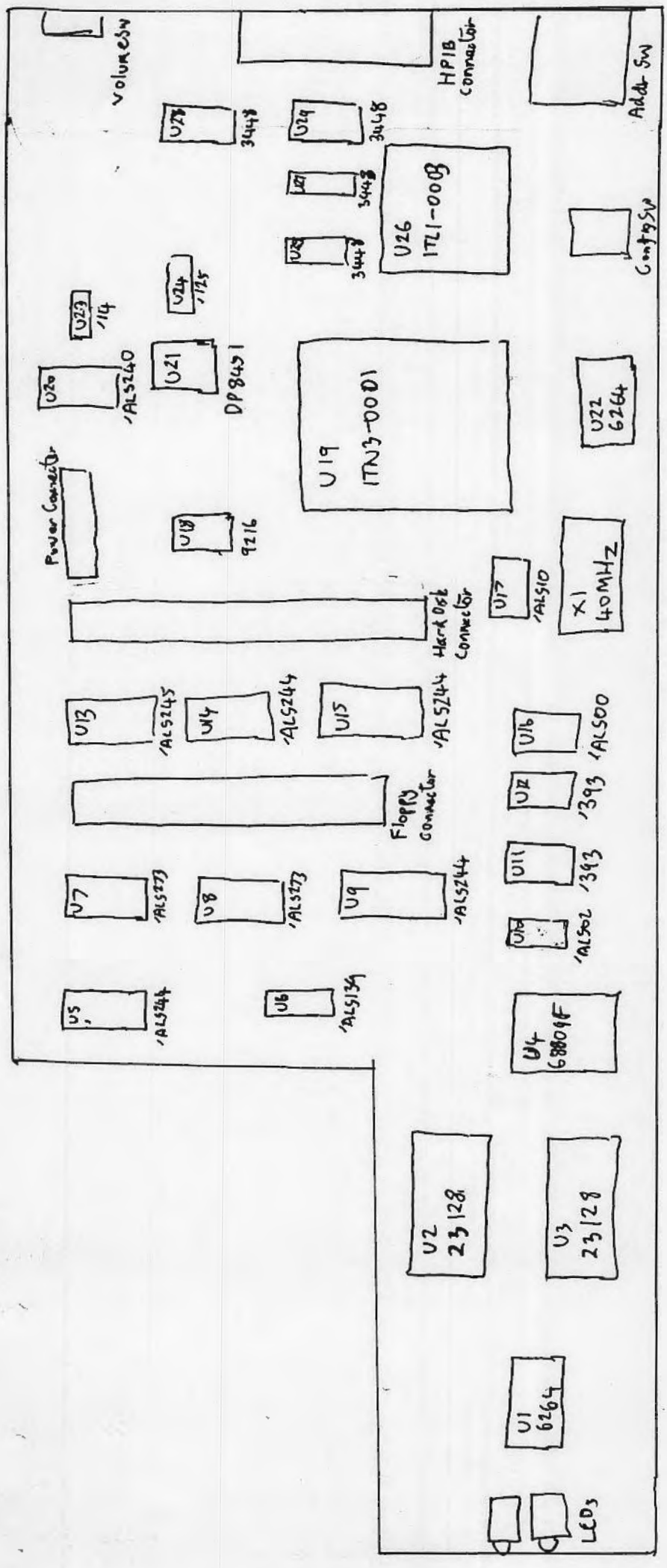
MB3771
PSU Monitor



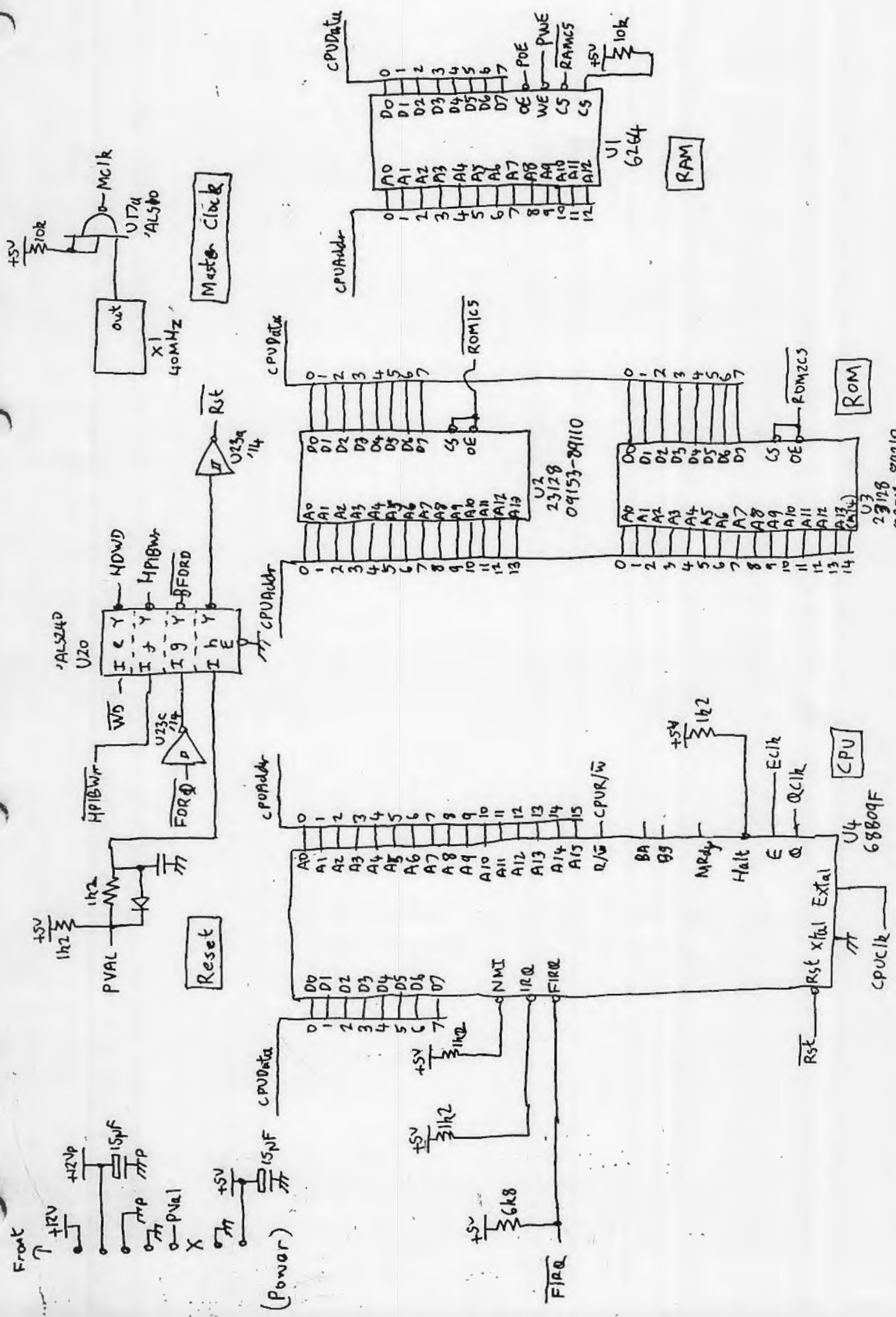
AN6500
Op-Amp + Reference



Front
←



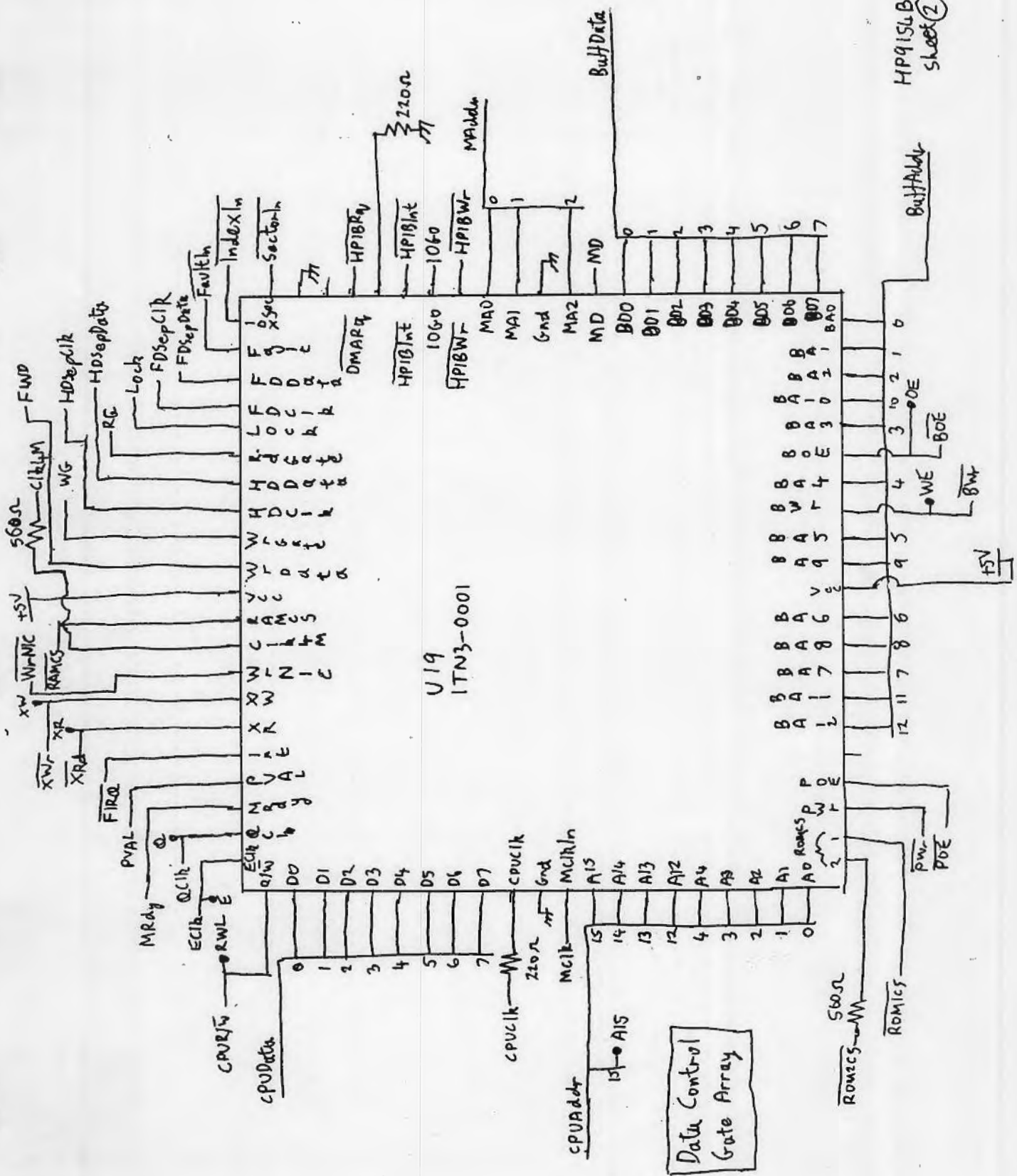
HP 9154B Controller PCB Layout



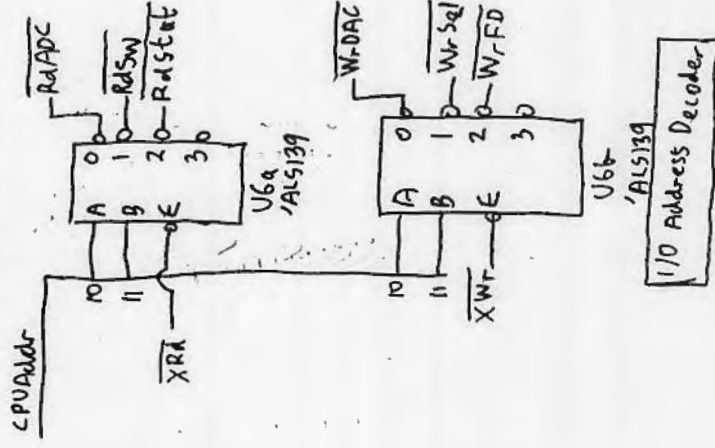
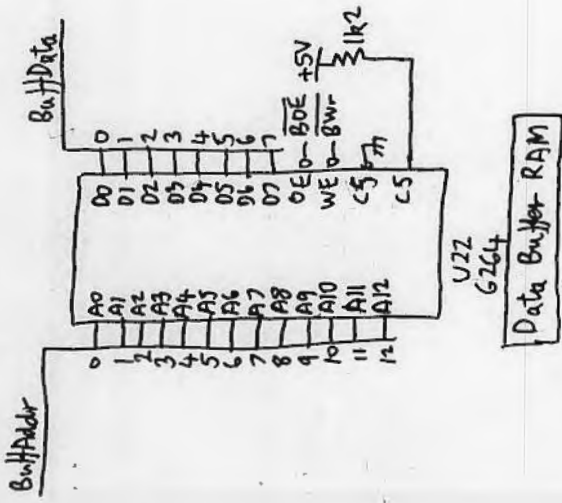
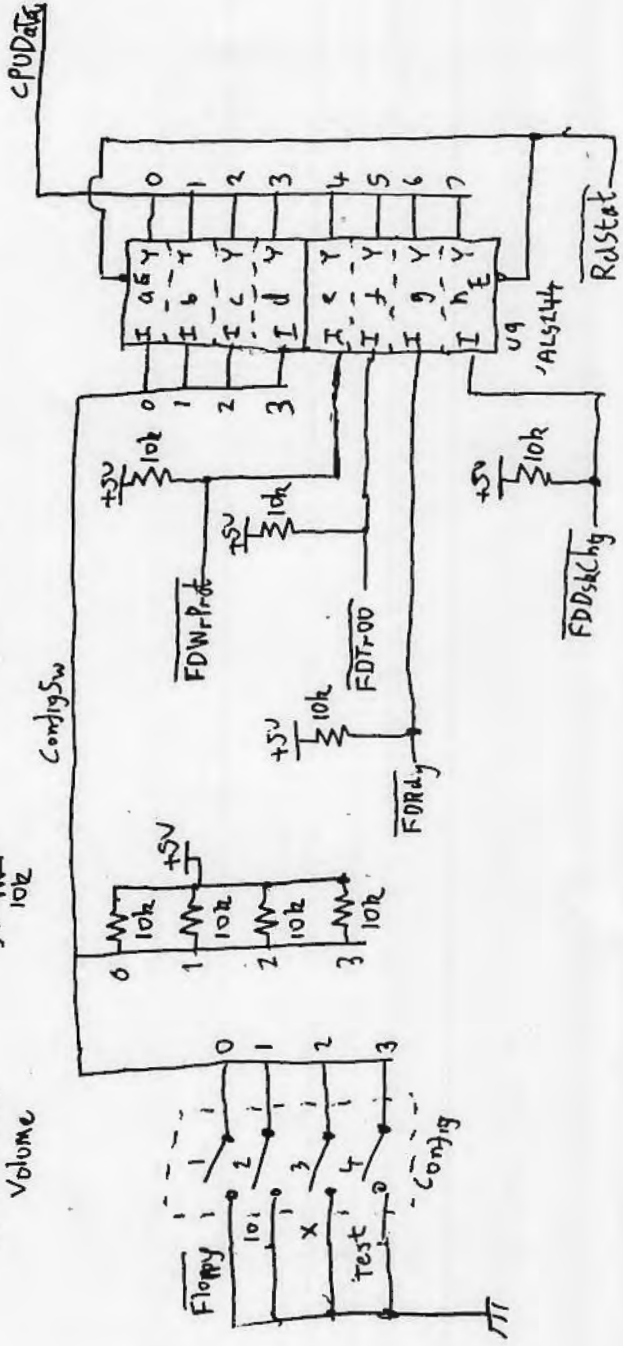
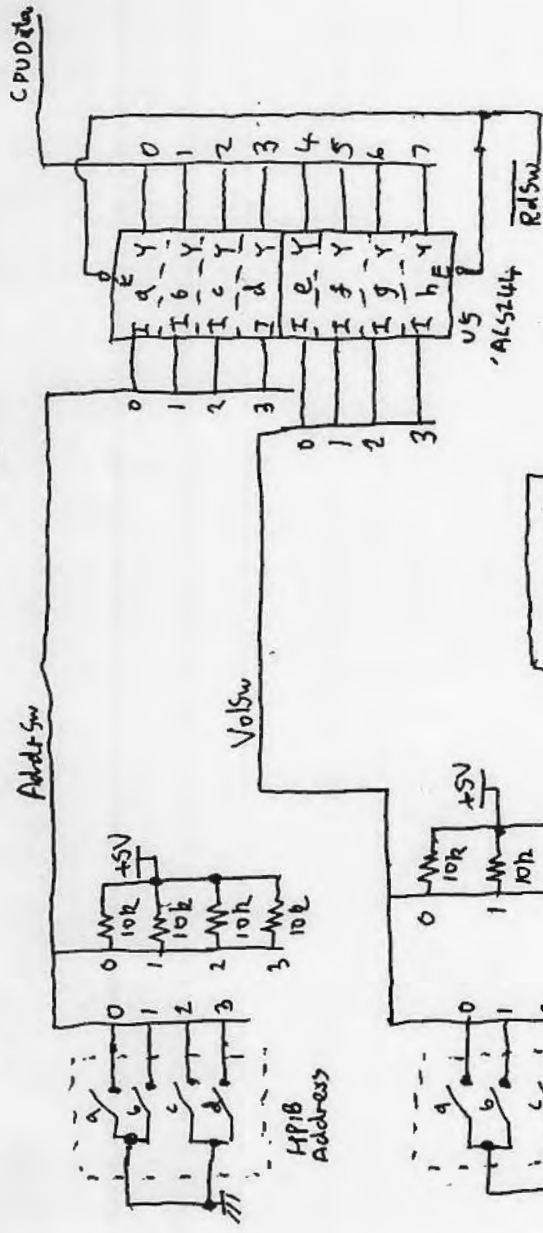
HP9154B Controller PCB sheet ①

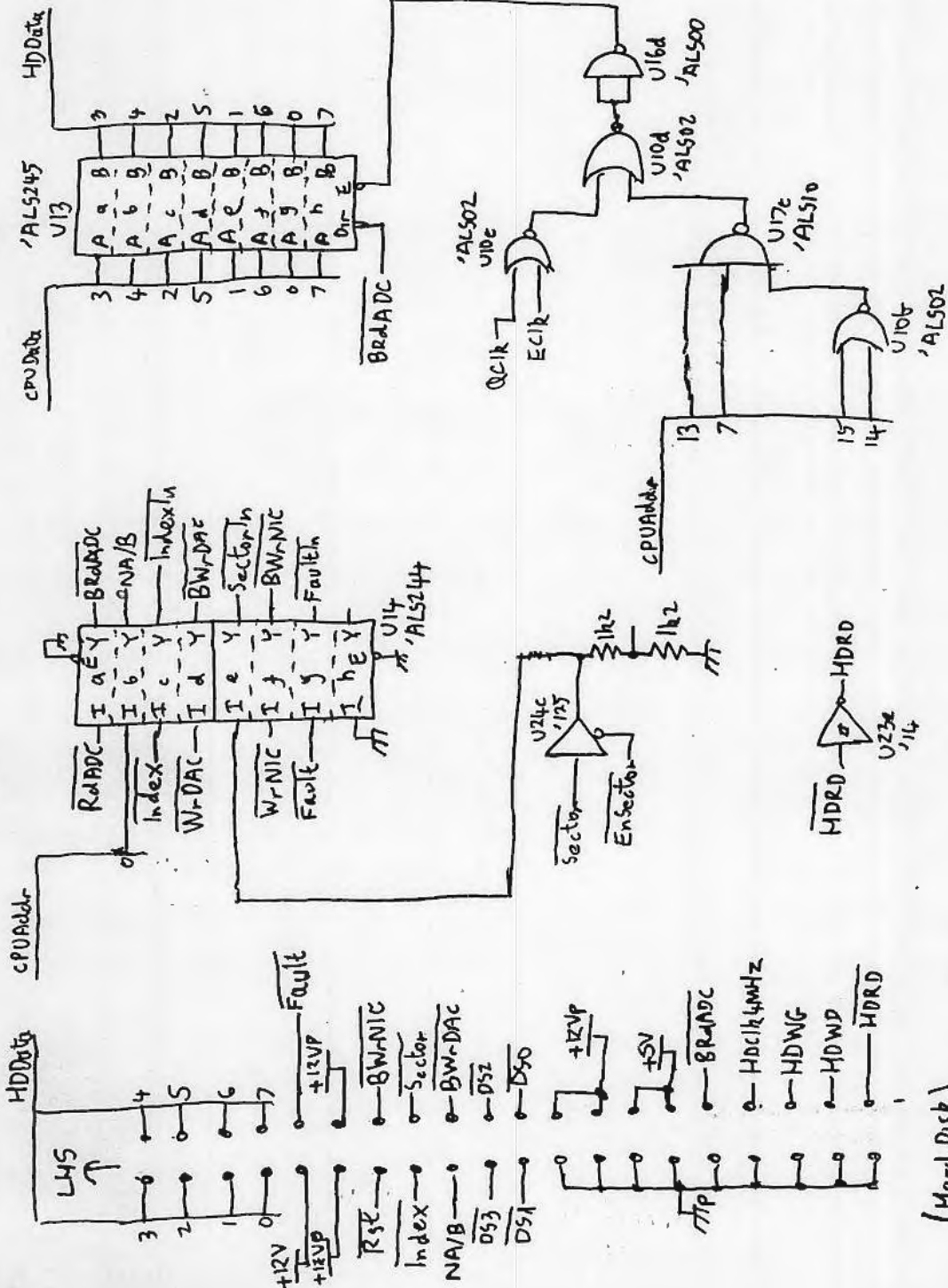
23128
09517-89210

09153-66510



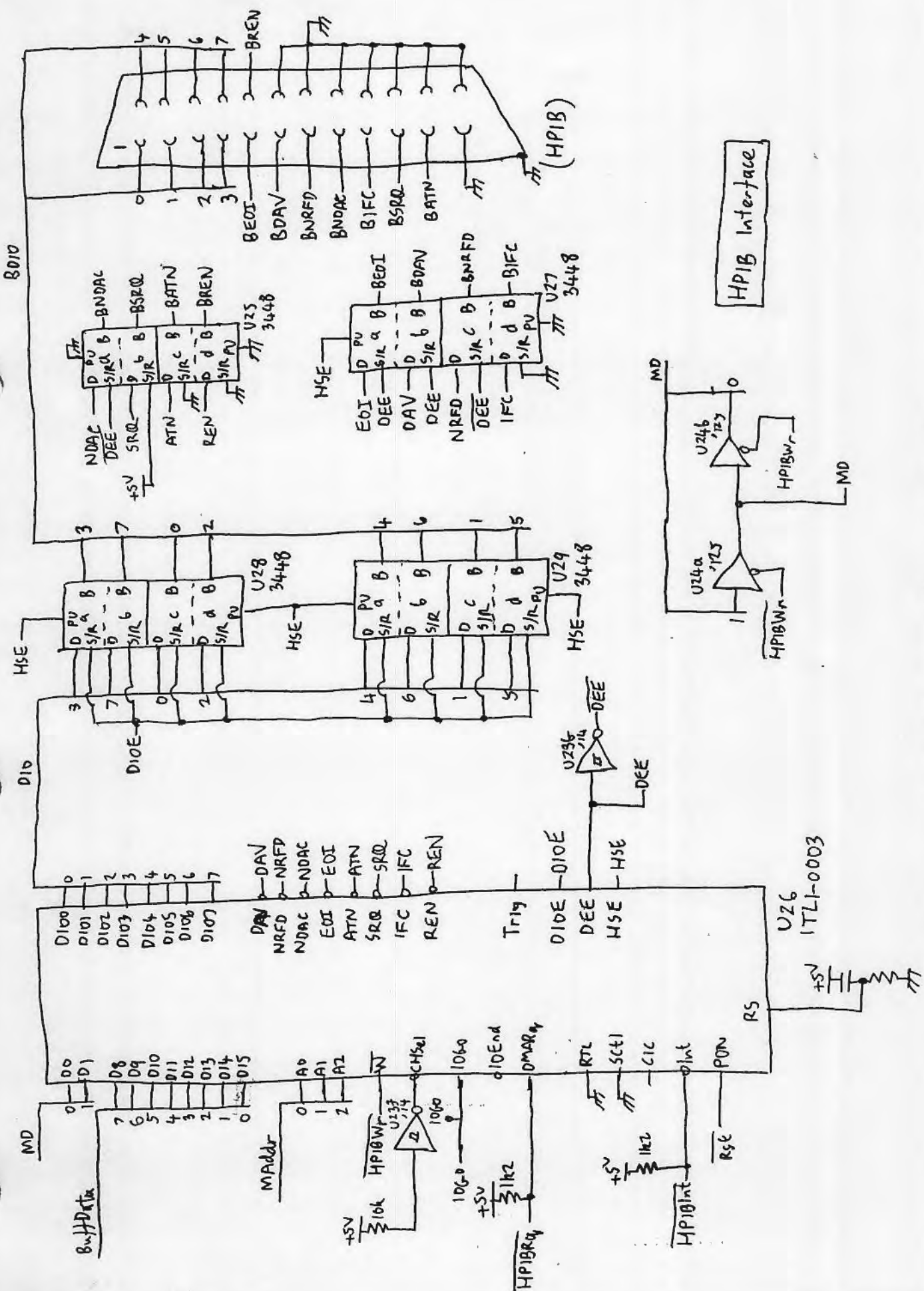
HP9151B Controller PCB
Sheet 2
09153-66510

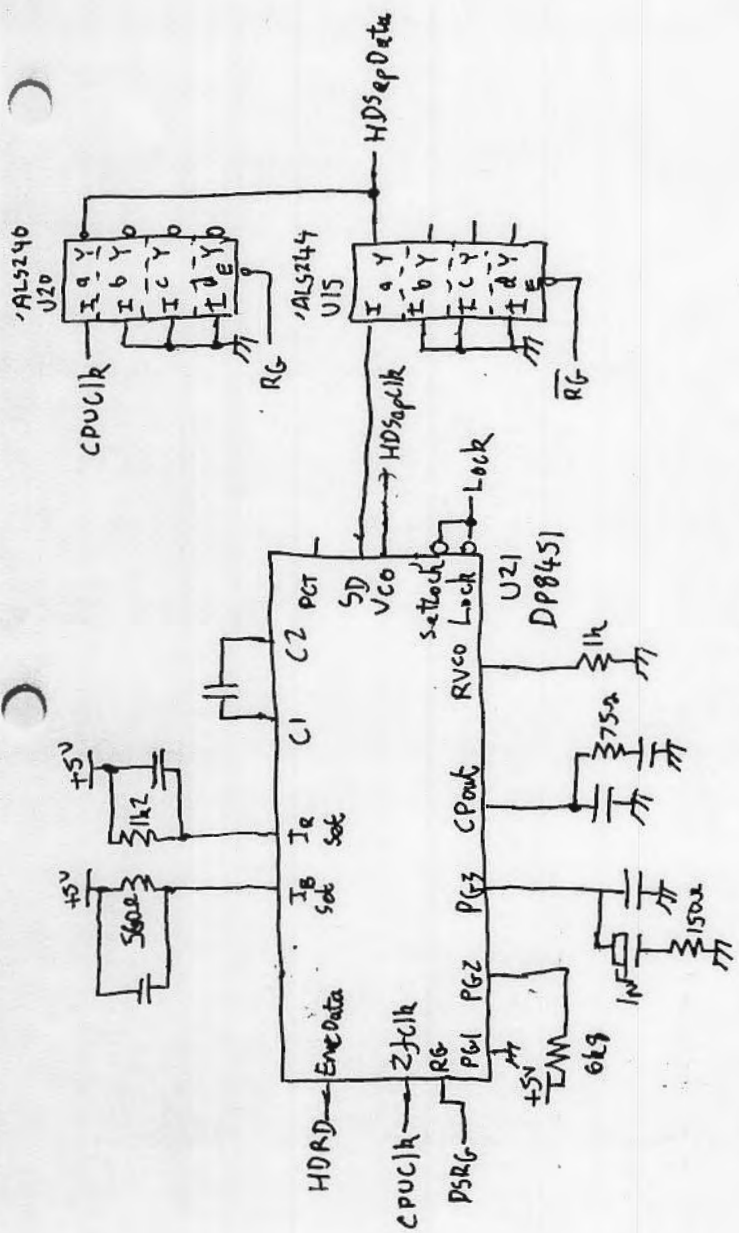




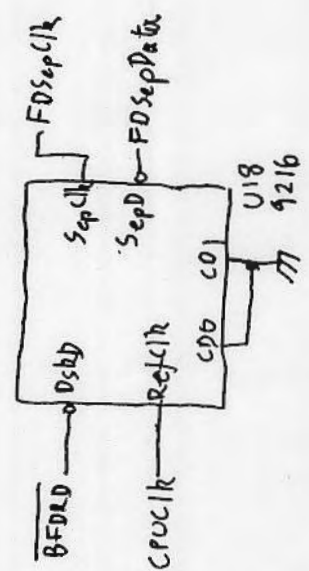
09153-66510

HP9154B Controller PCB sheet (5)

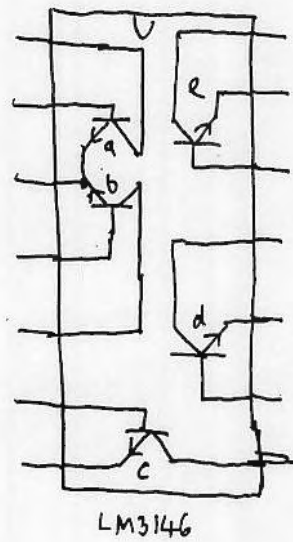
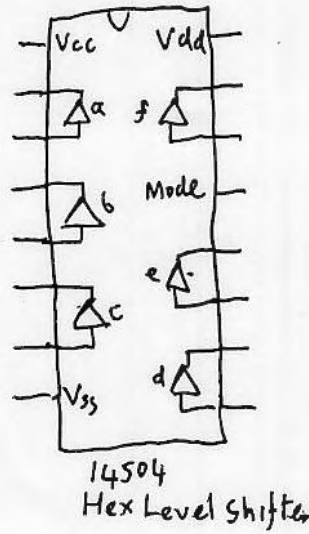
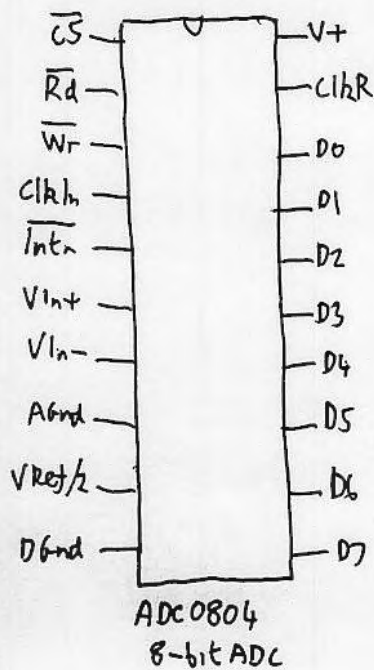
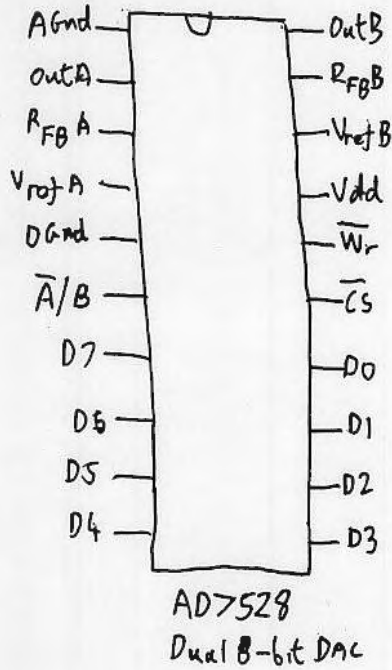
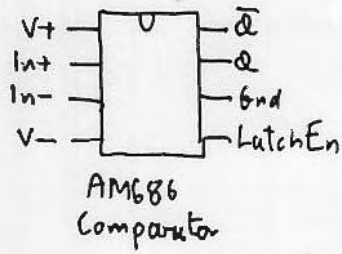


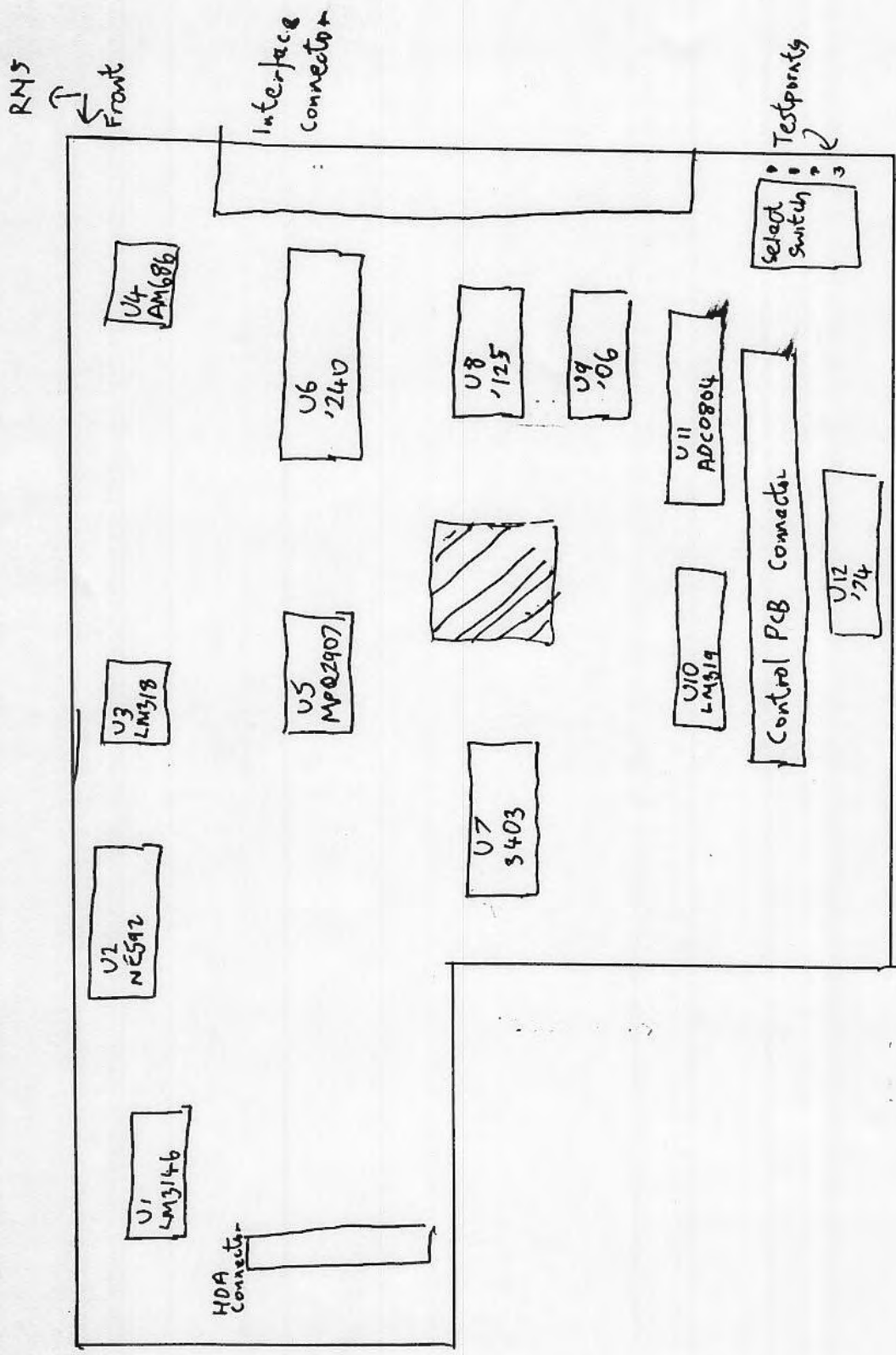


Data Separators



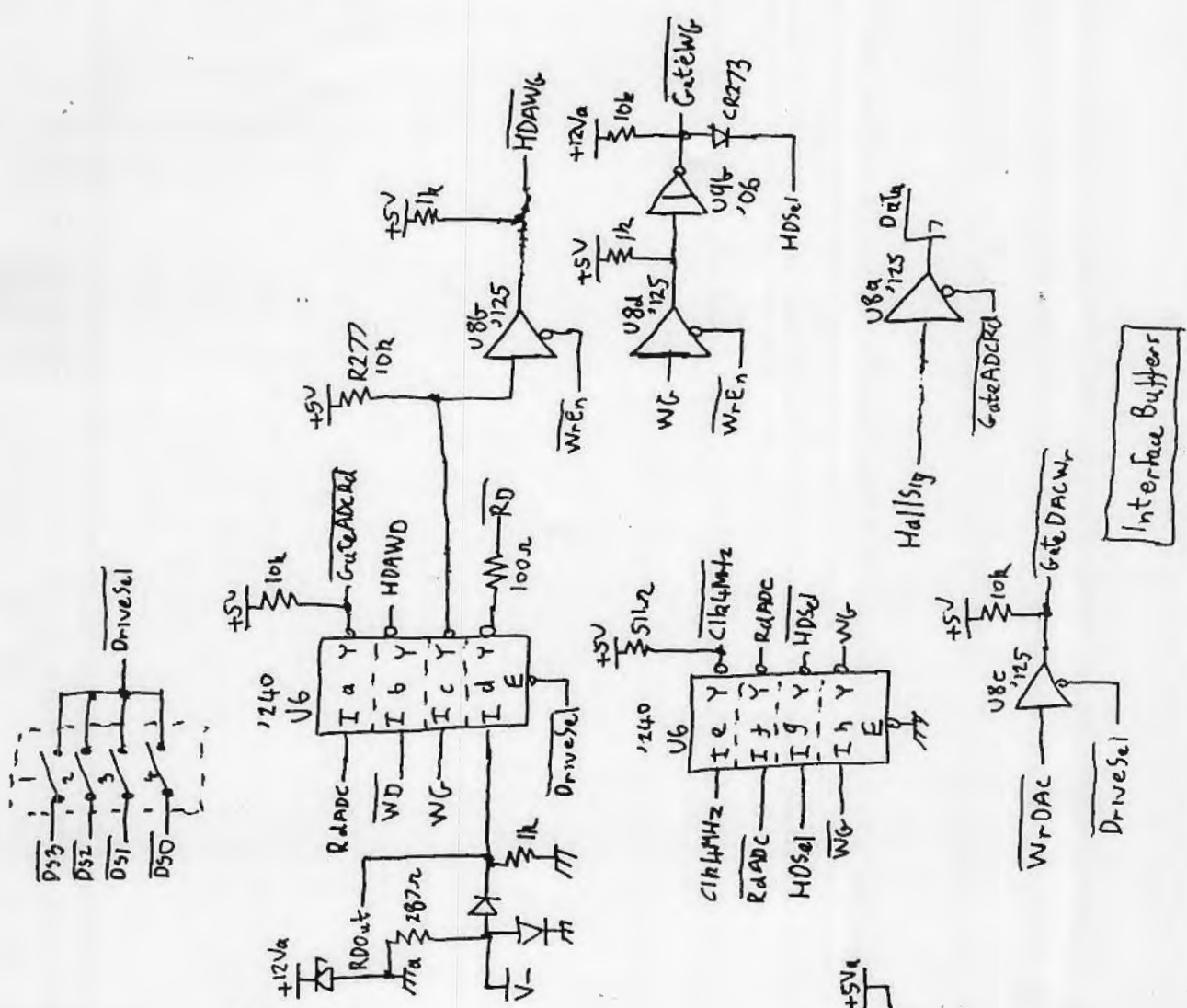
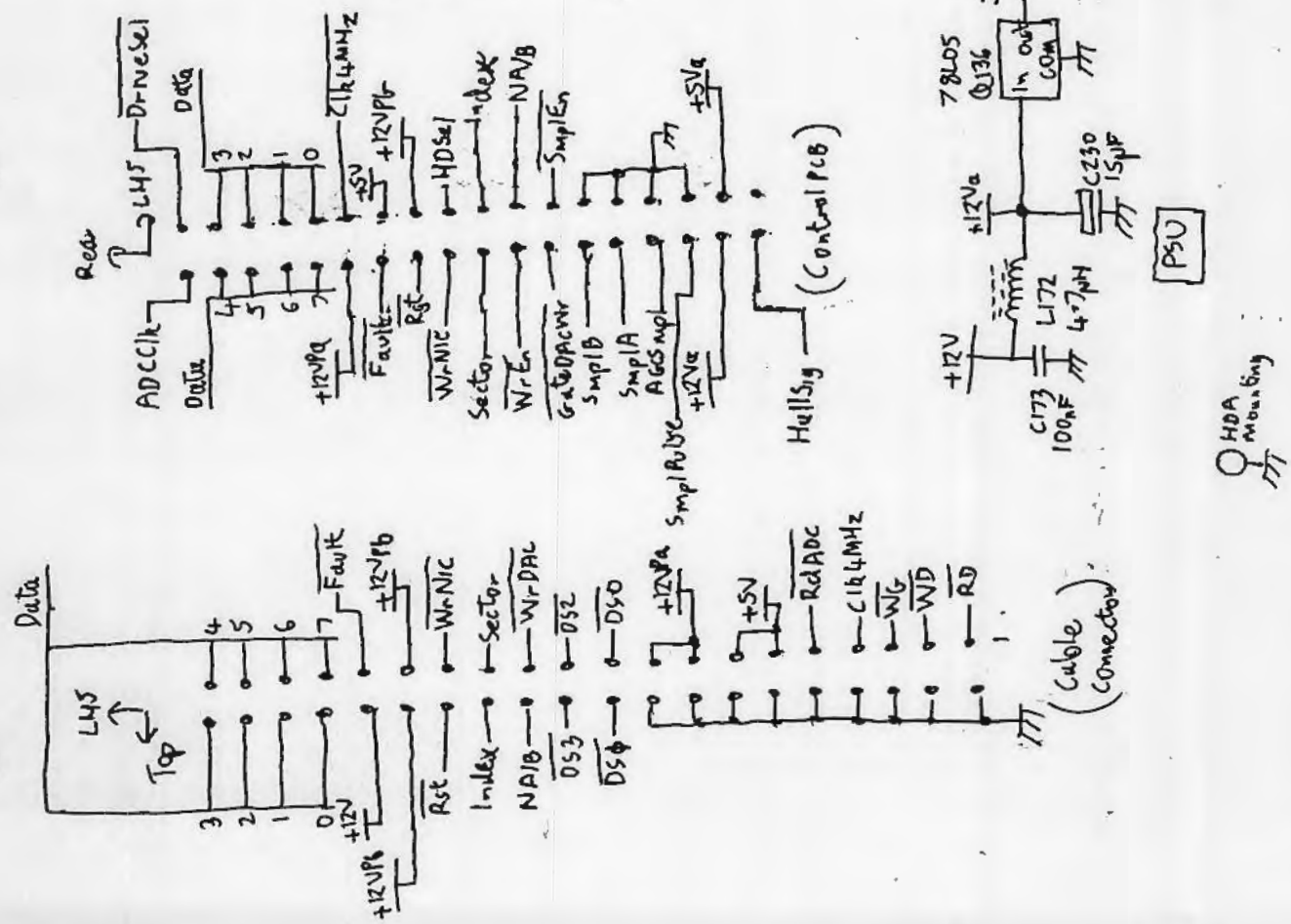
Night hawk



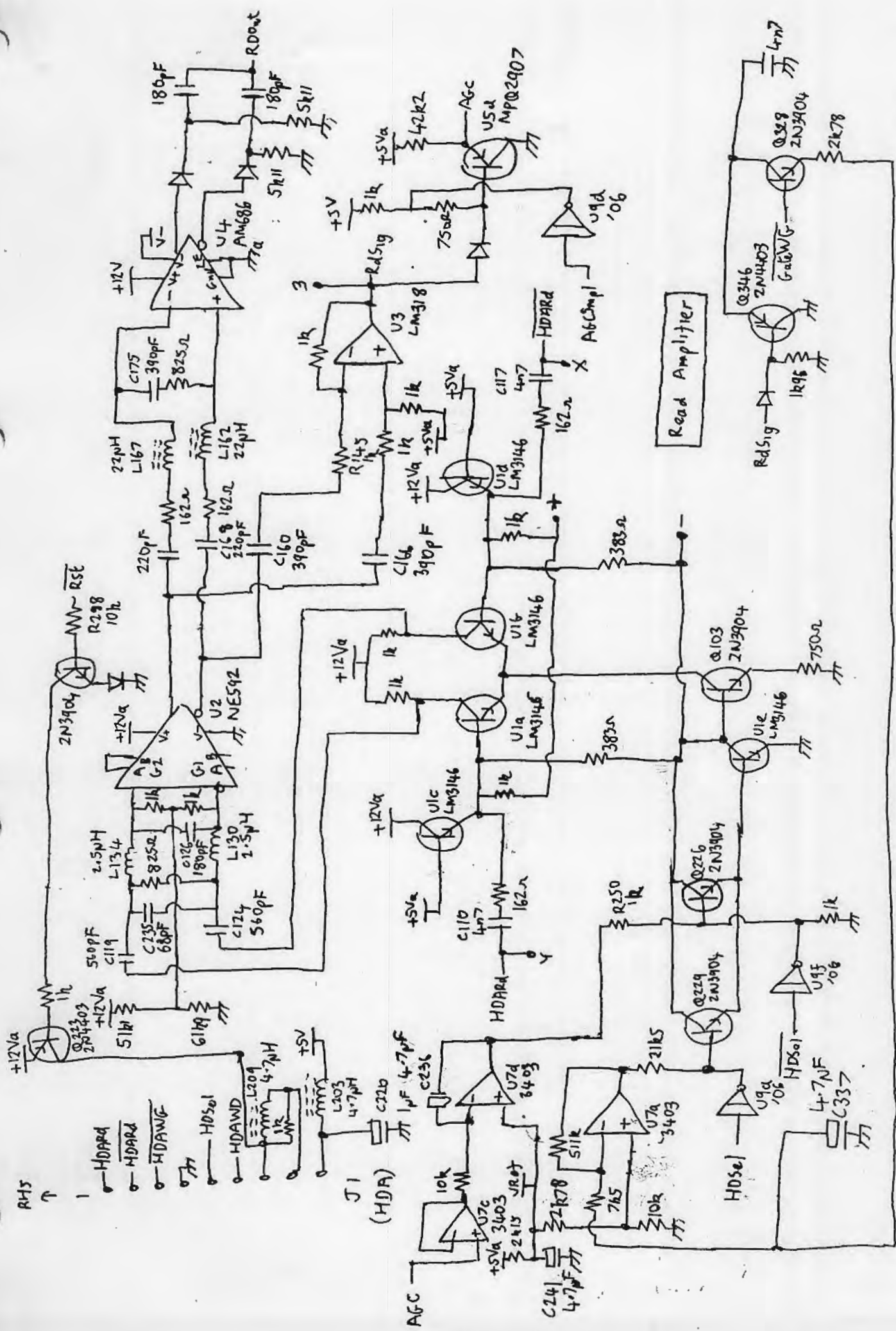


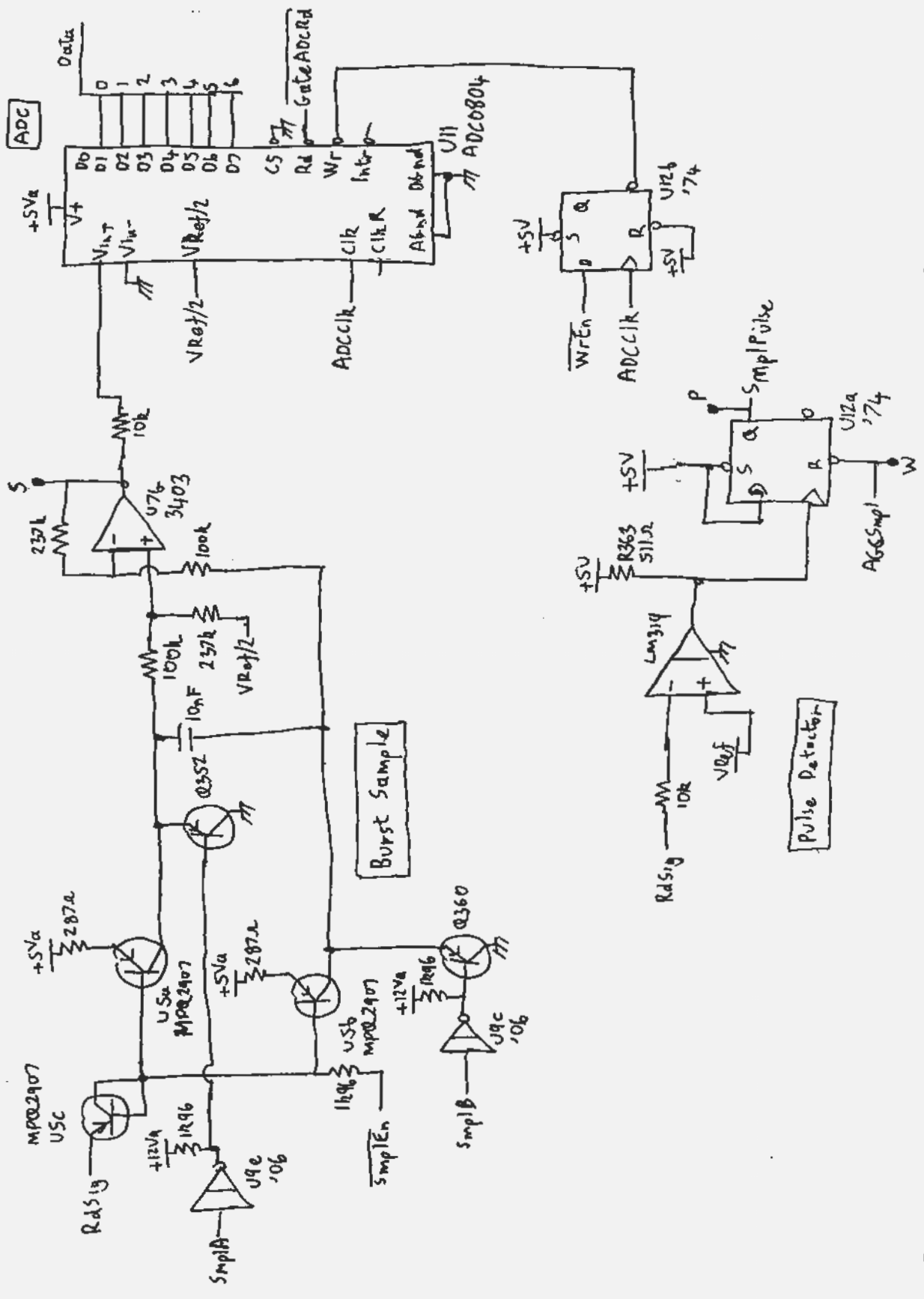
97500-80001

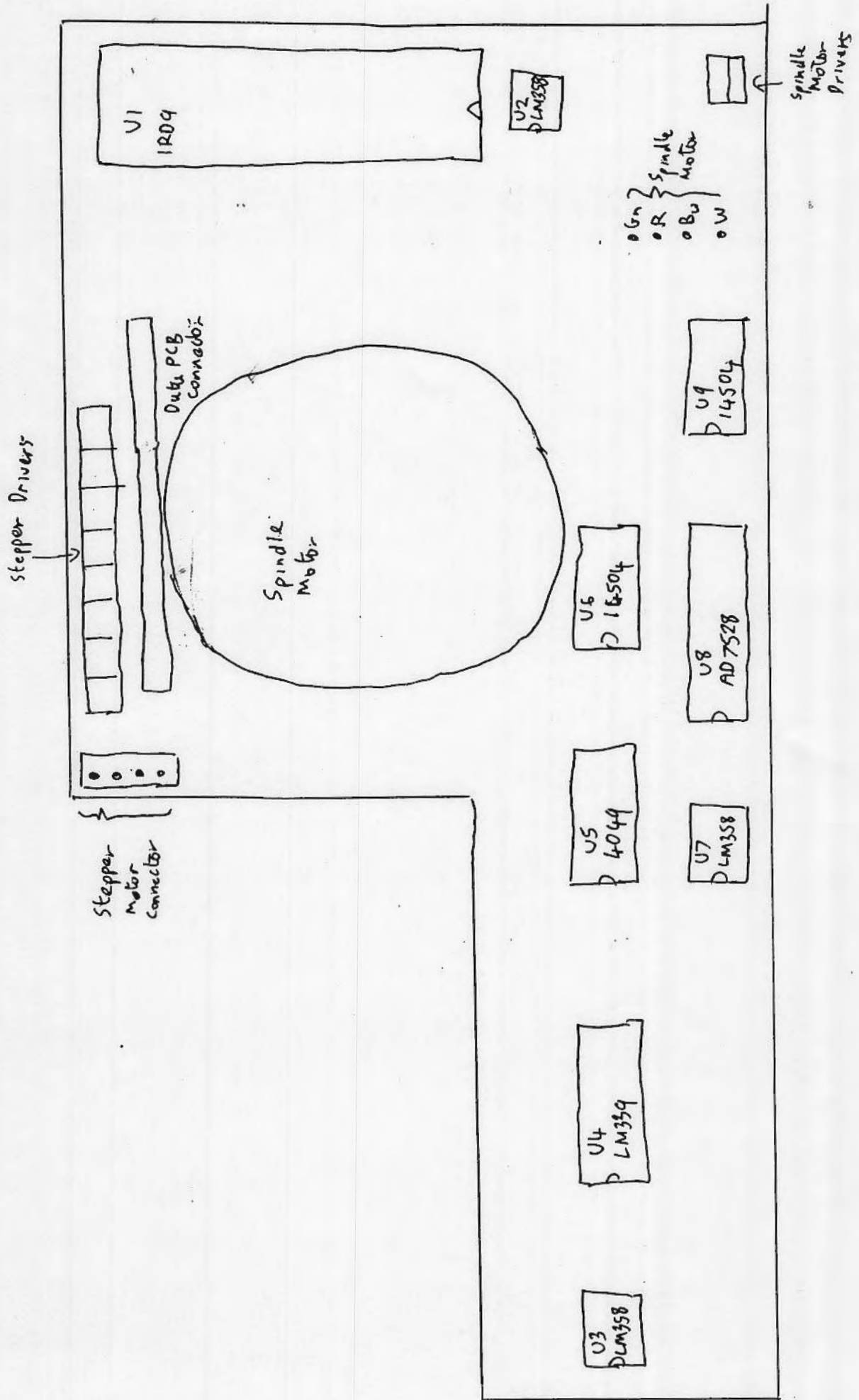
HP Nighthawk Data PCB Layout



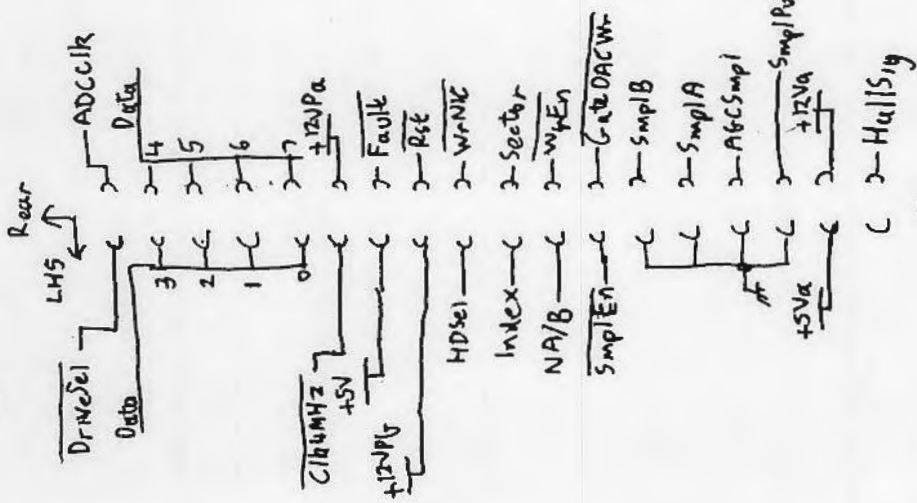
HP Nighthawk Disk Drive Data PCB sheet 1 97500-80001



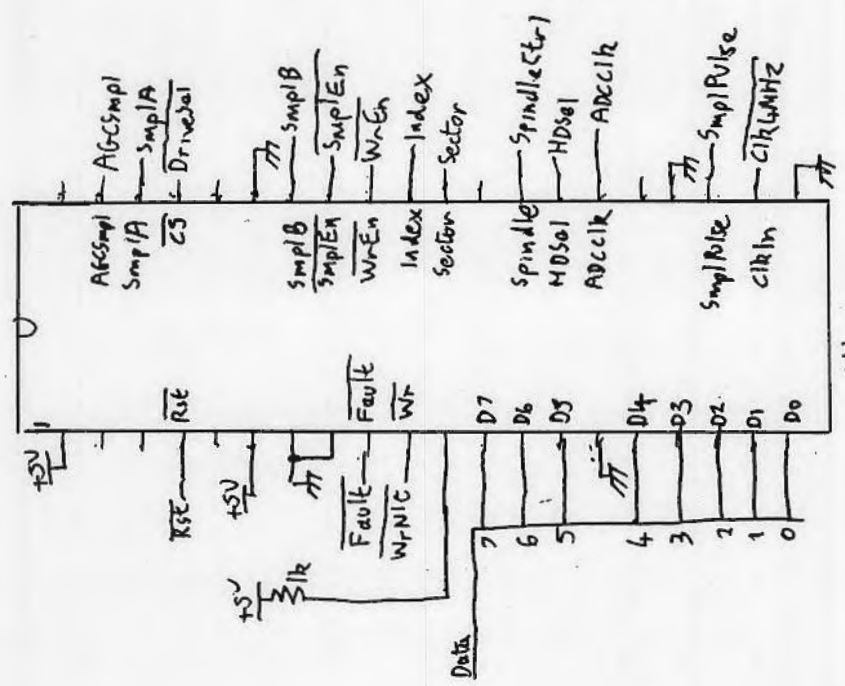




HP Night Hawk Control PCB Layout

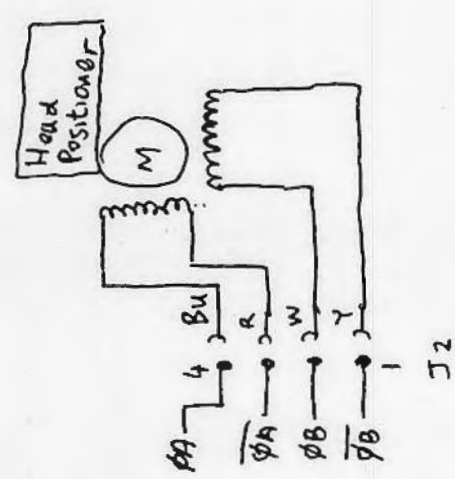


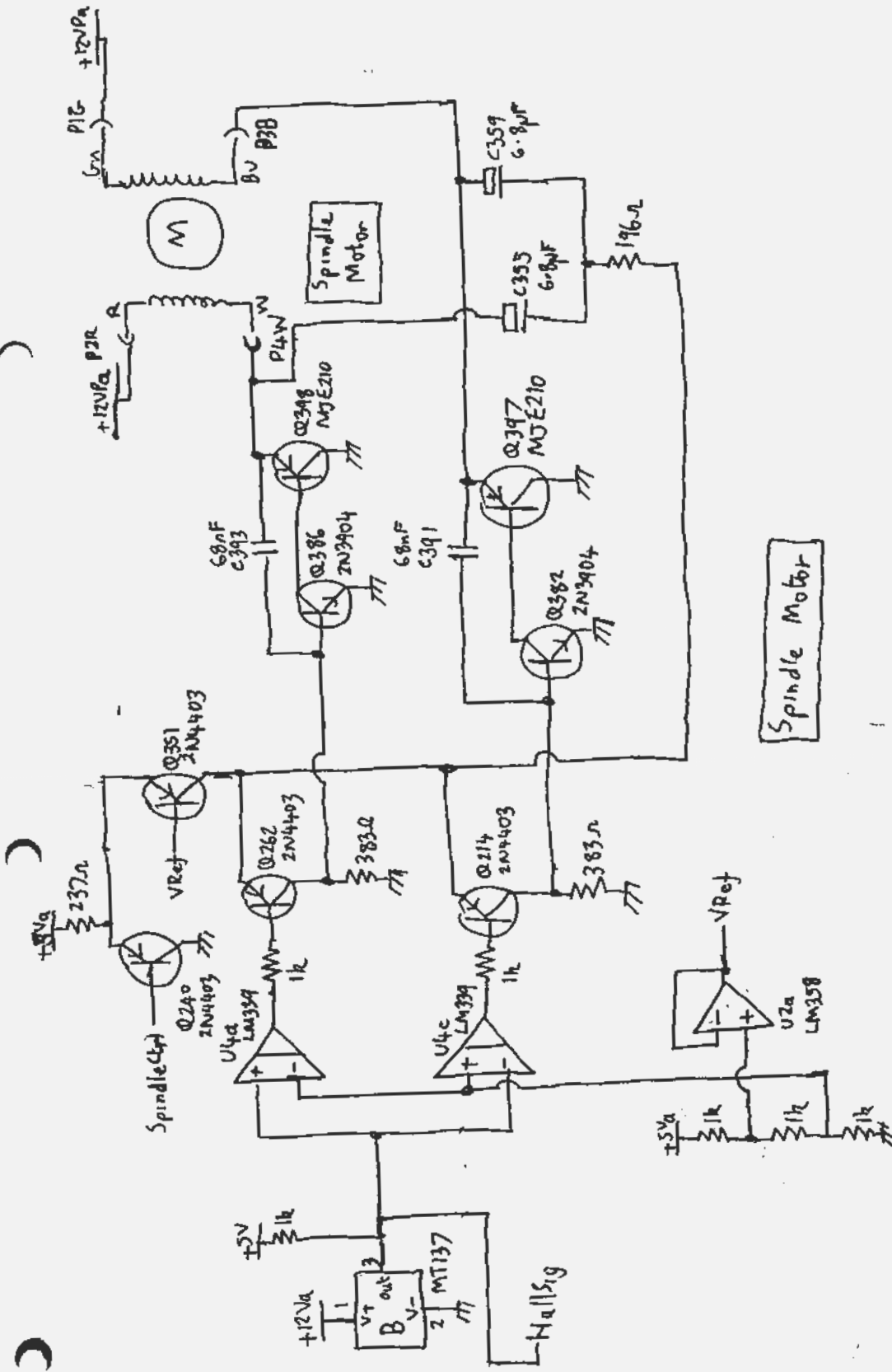
J1
(Data PCB)



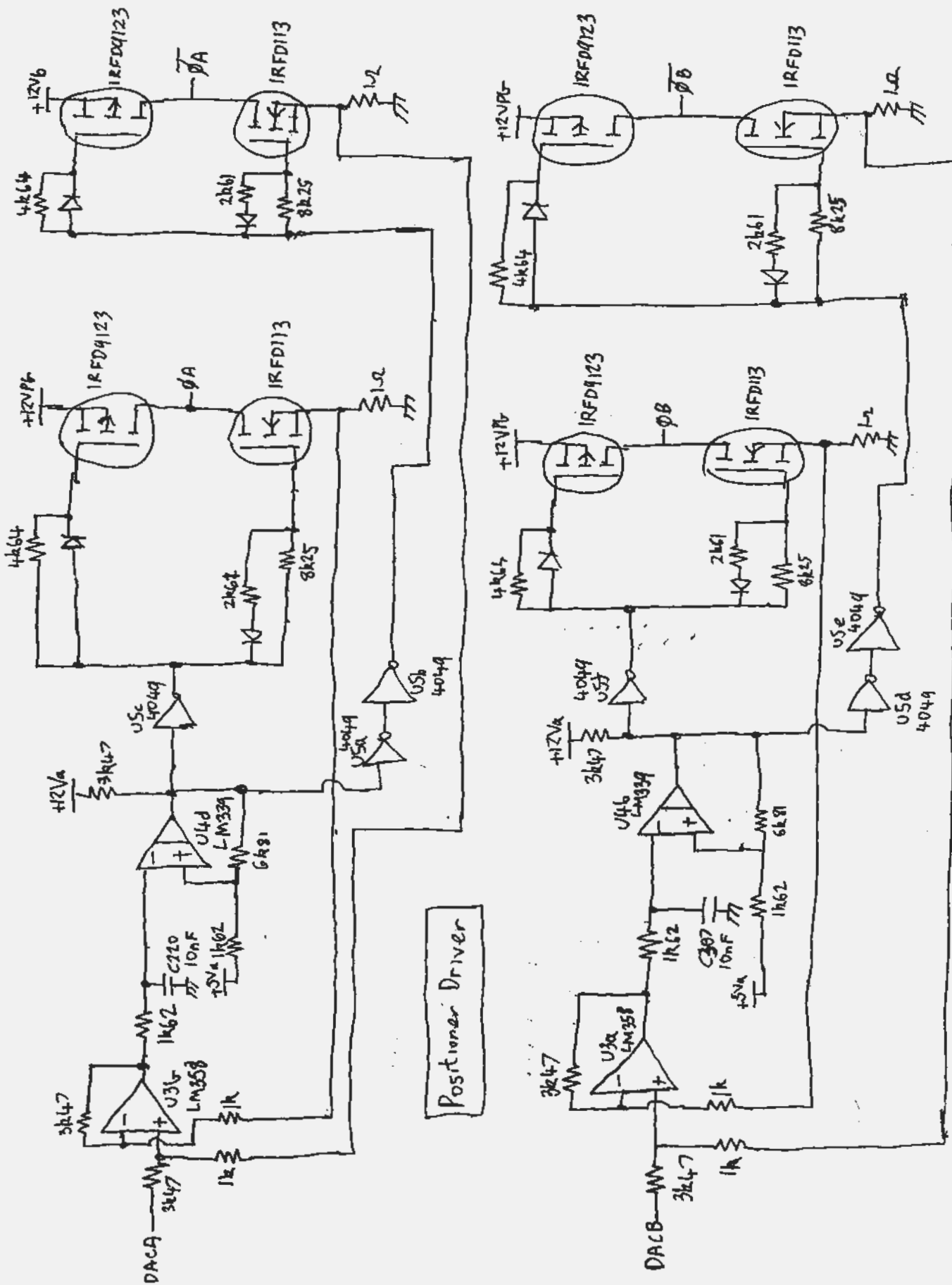
U1
1809-6001

Control Logic

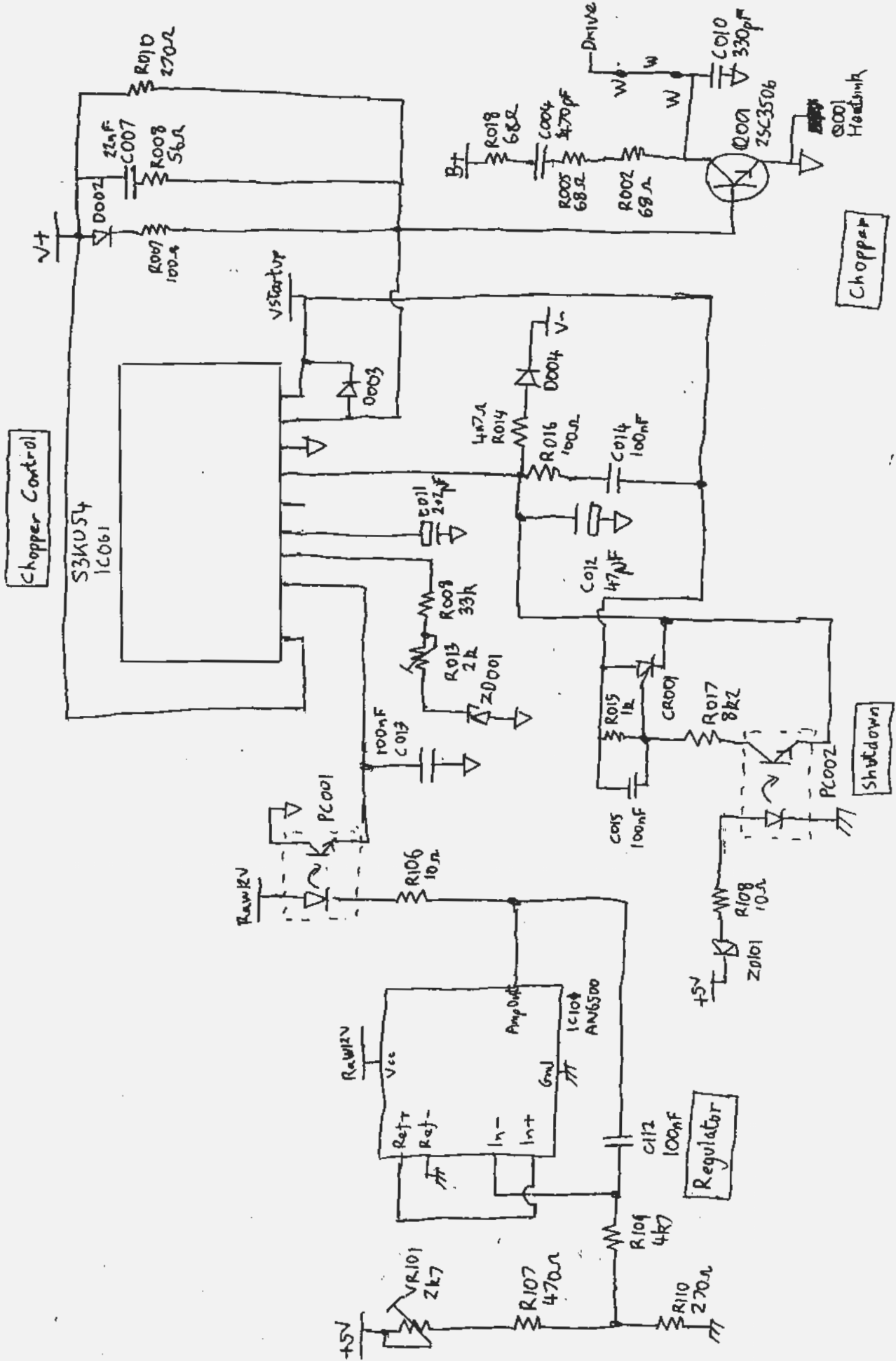


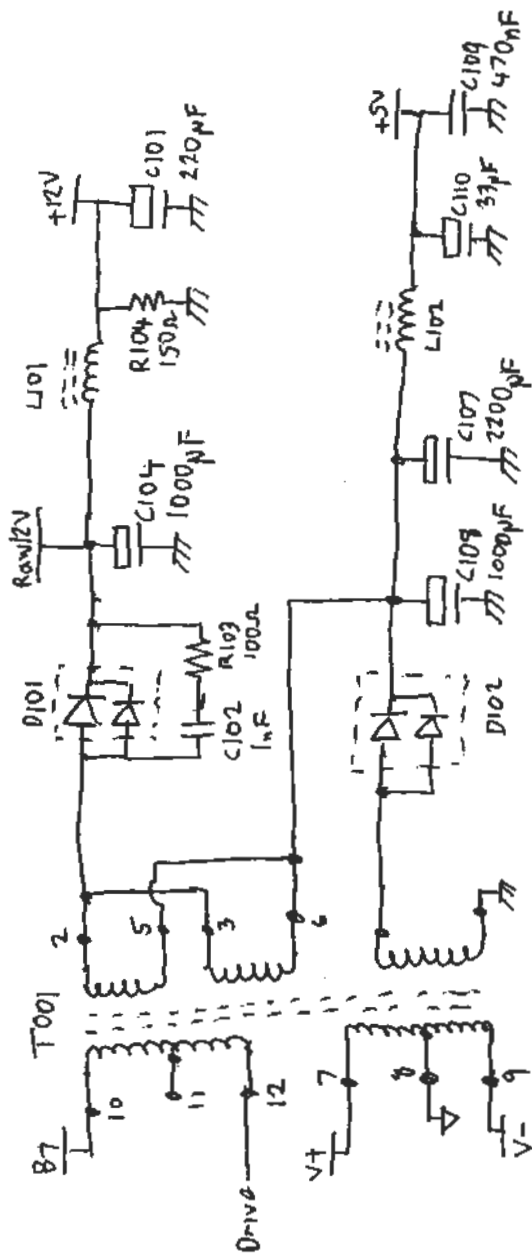


HP Night hawk Disk Drive Control PCB Sheet ②



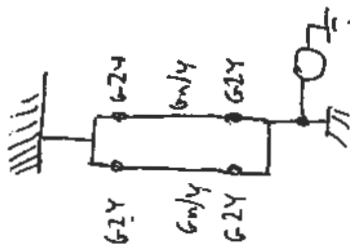
HP Nighthawk Disk Drive Control PCB Sheet (4)

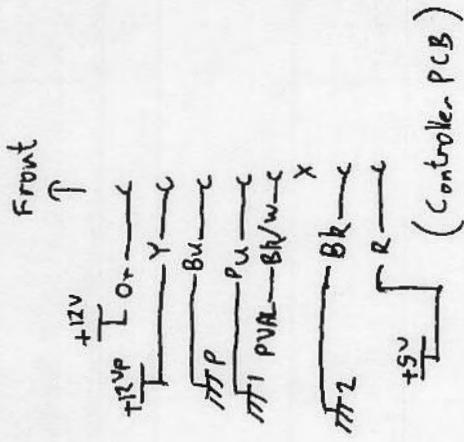
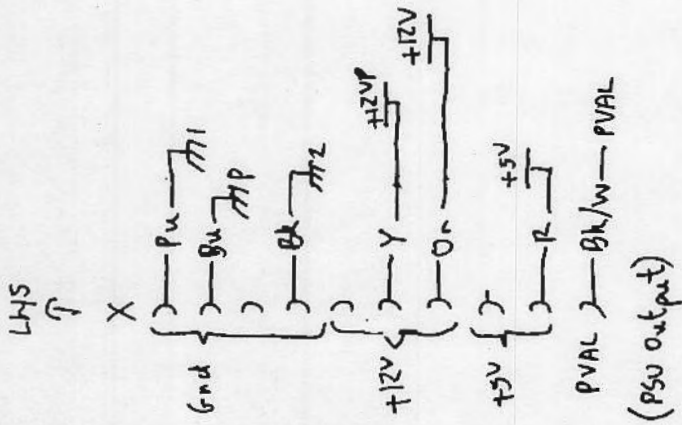




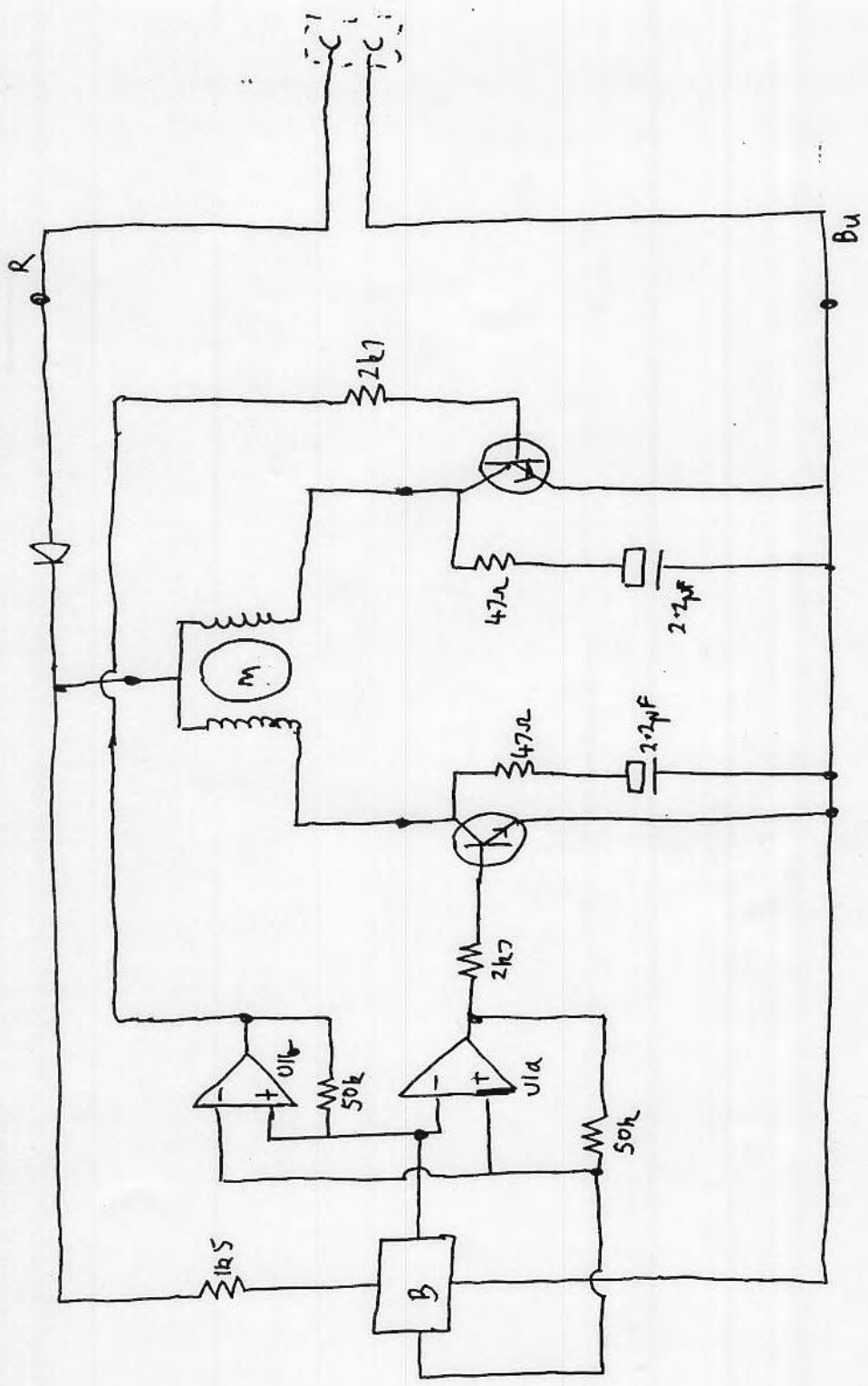
Chopper Transformer

D101, D102 Heatsink





HP9154 Power Cable



HP Mass Storage Unit Fan - Panaflo FBH-08A12M