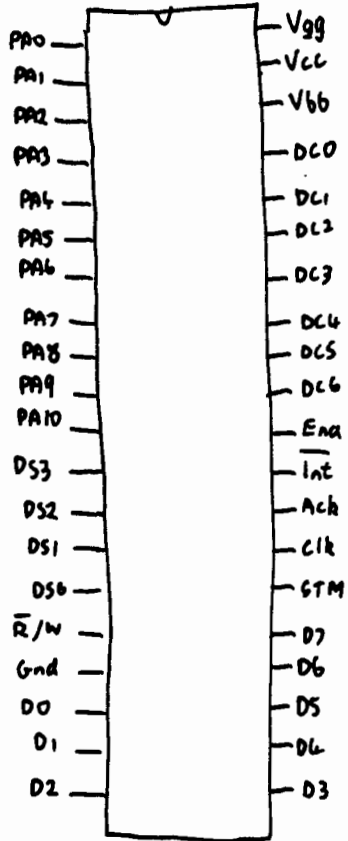
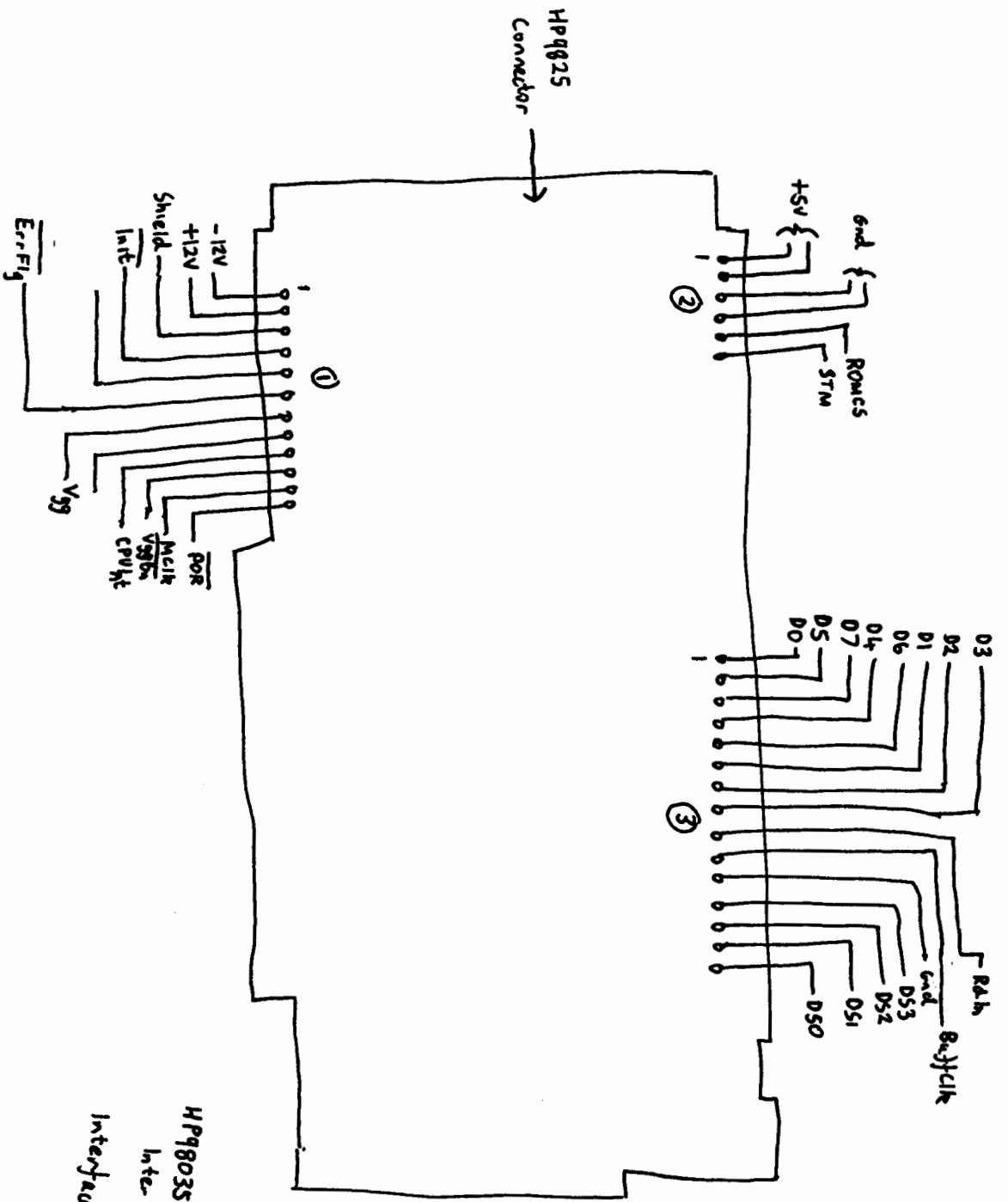


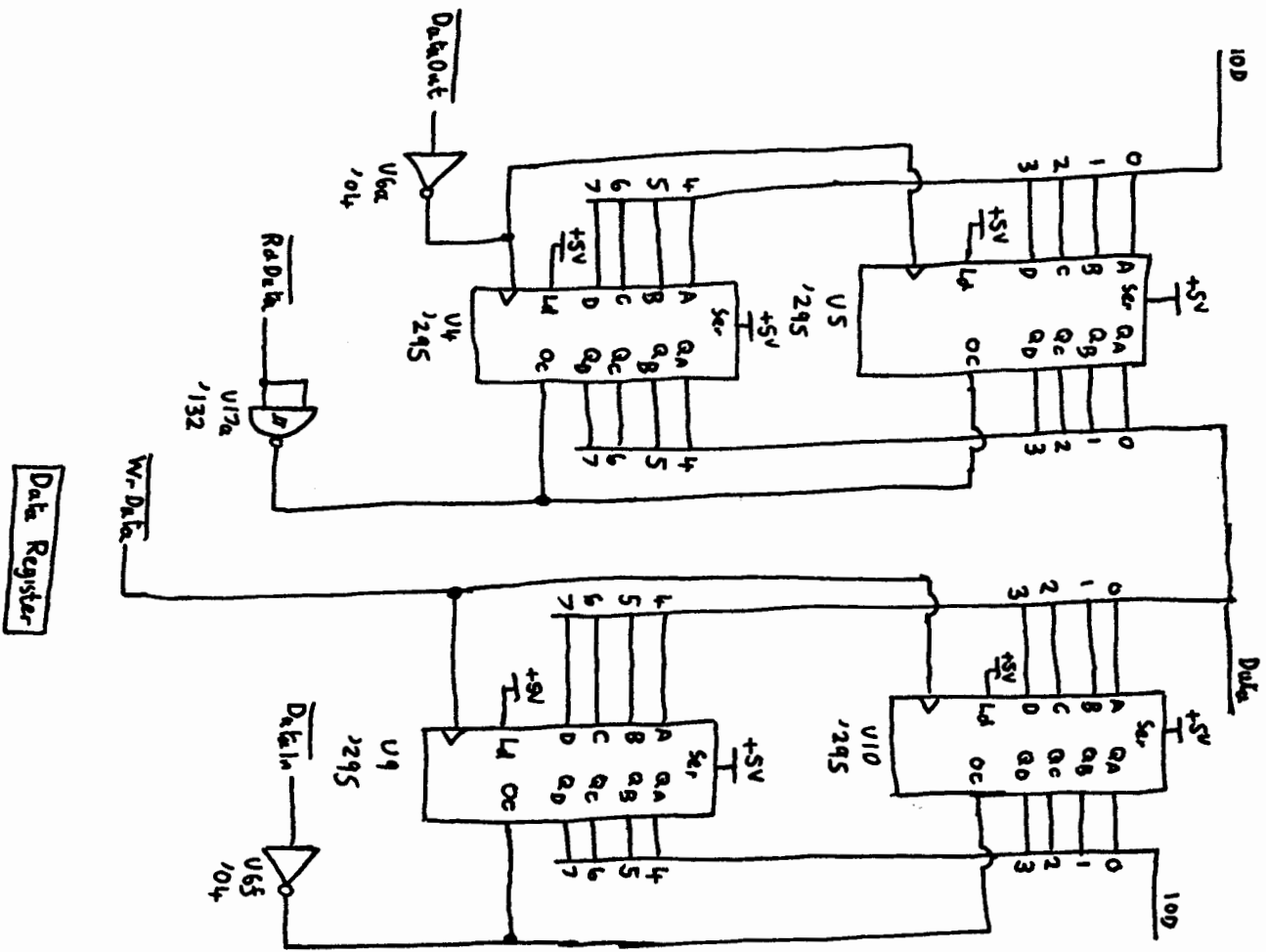
Nano controller

1820-1691

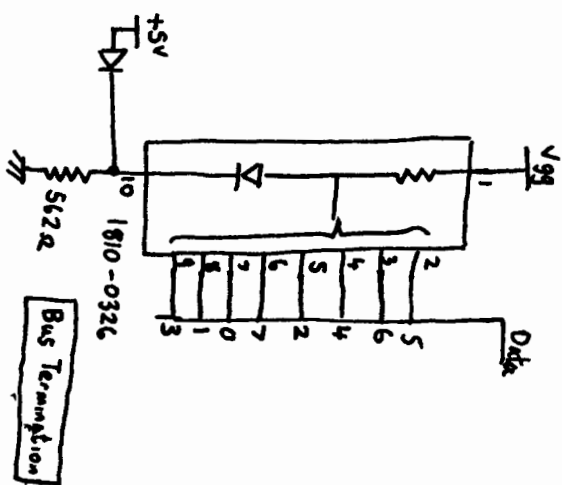




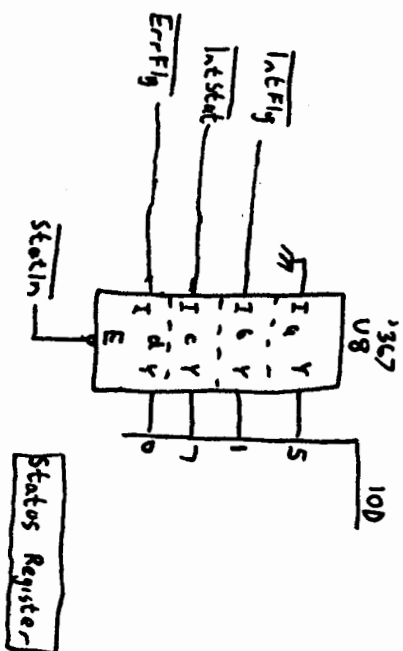
HP9835 clock
Inter-PCB Pins
Interface PCB Component Side



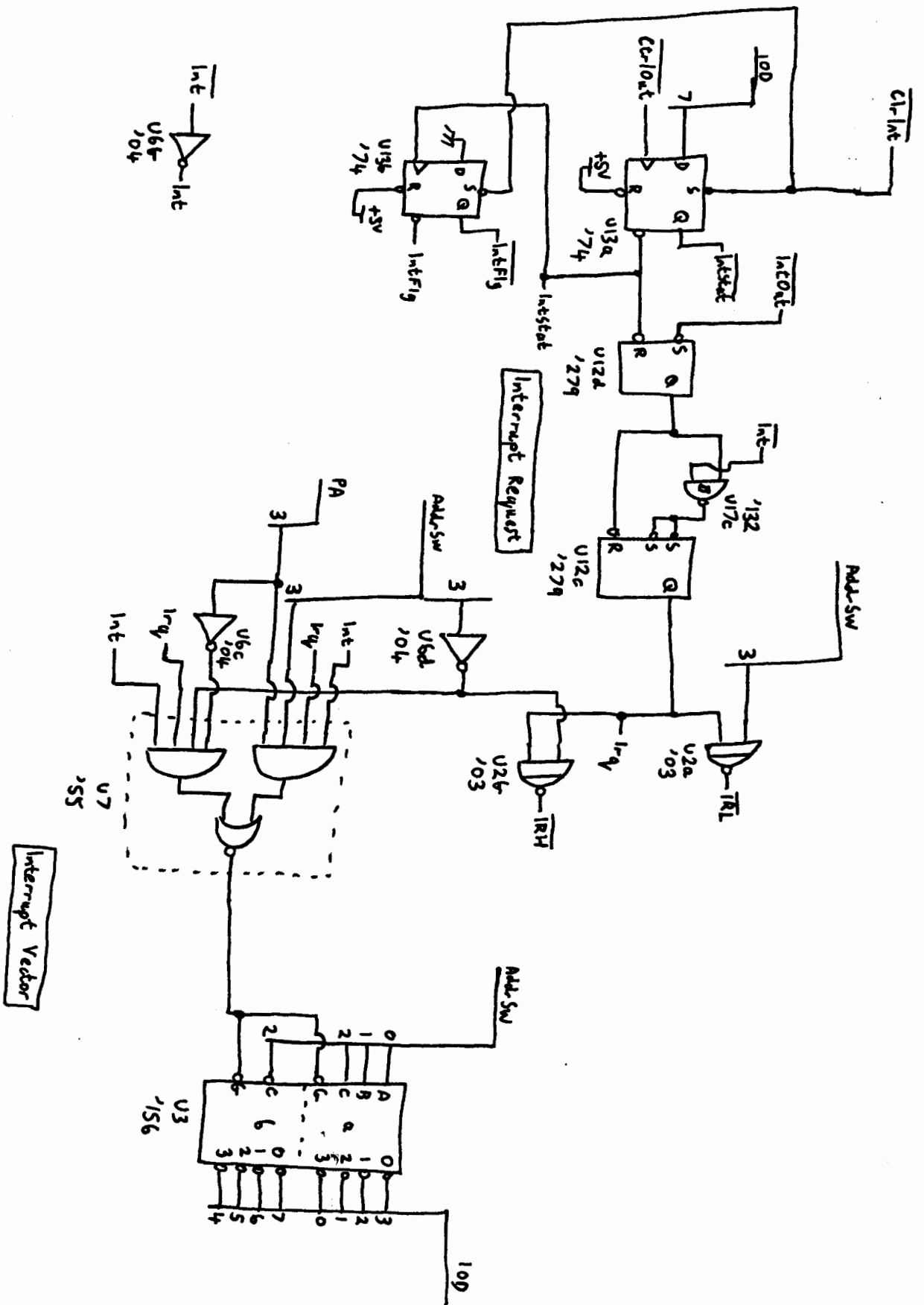
Data Register

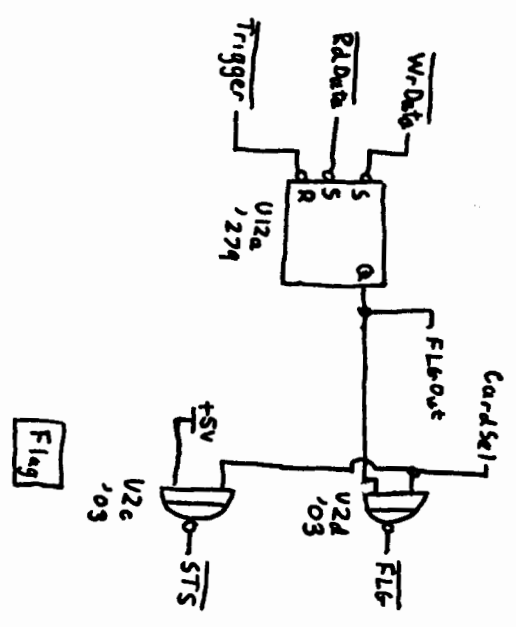
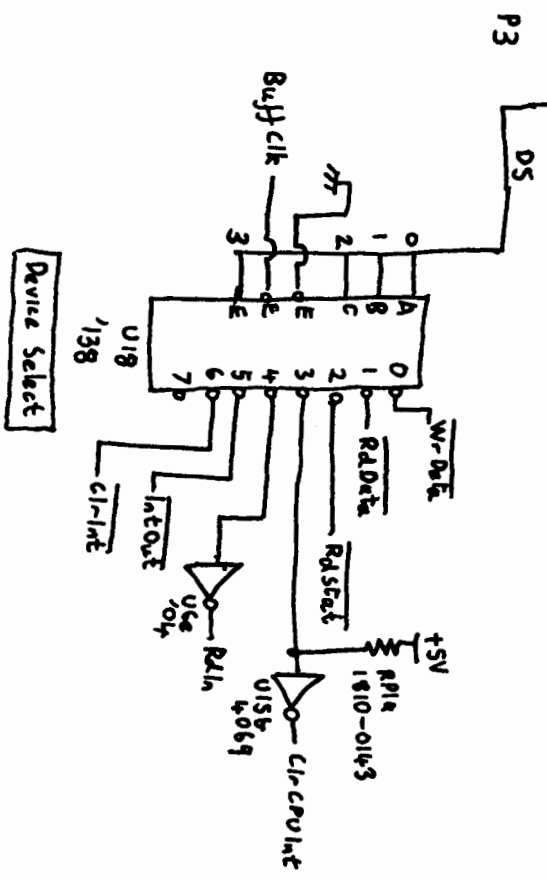
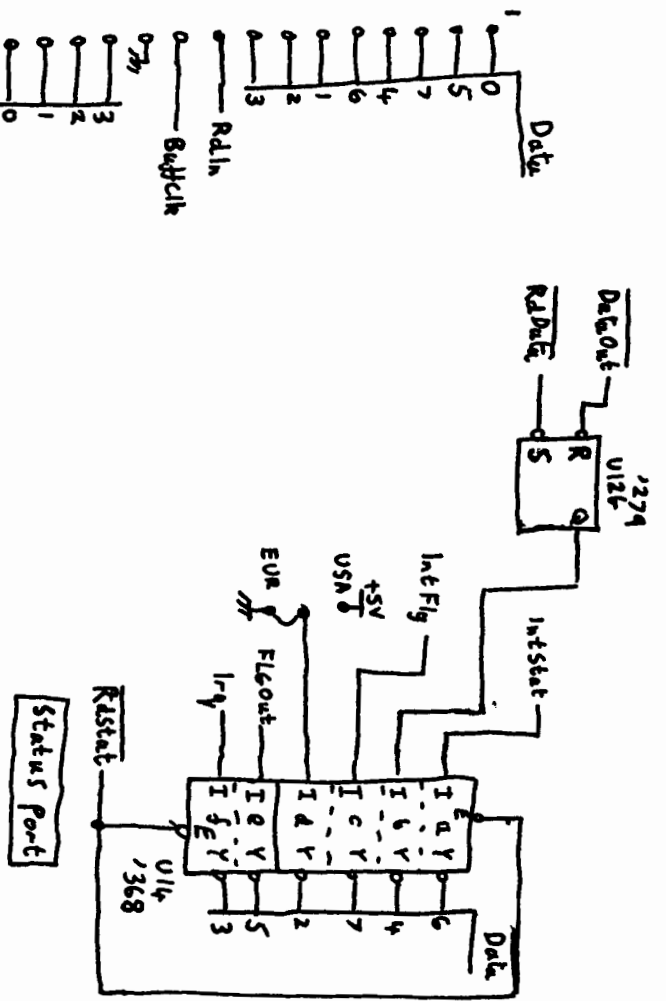


Bus Termination

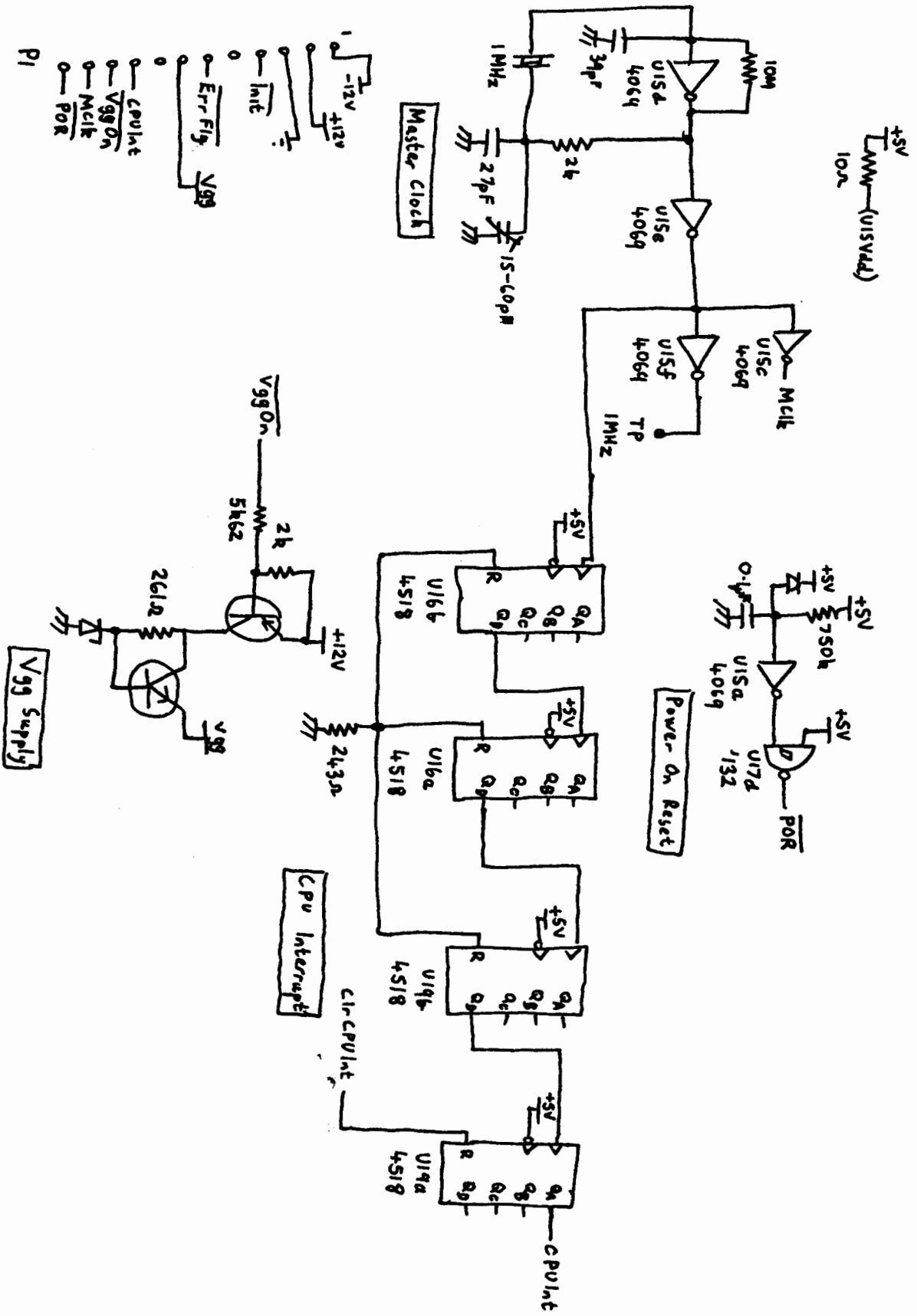


Status Register





HP98035 Clock Interface PCB Sheet (4) 98035-66501



- 0 -12V +12V
- 0 -Int
- 0 -Err Flg
- 0 -CPU Int
- 0 -V98 On
- 0 -McIk
- 0 -POR

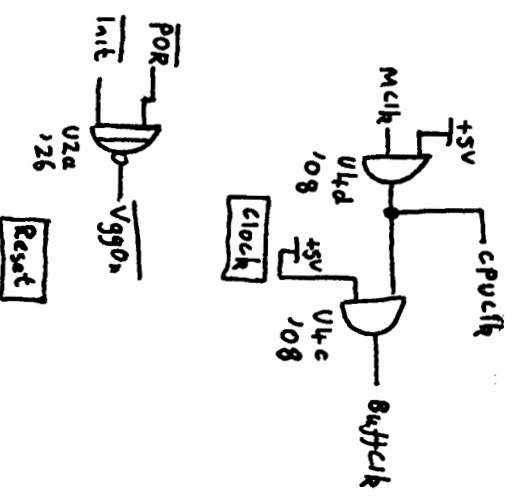
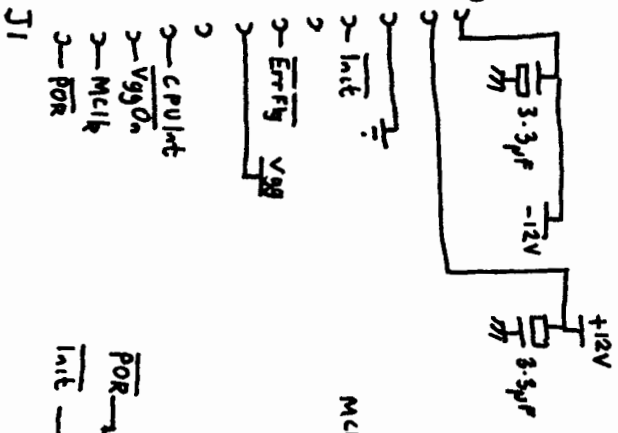
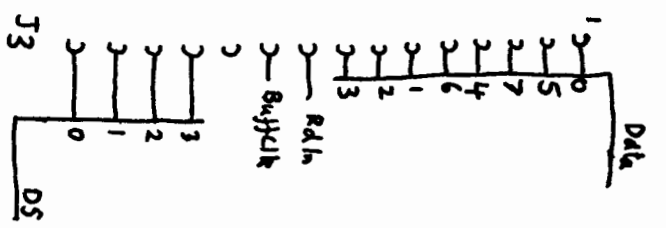
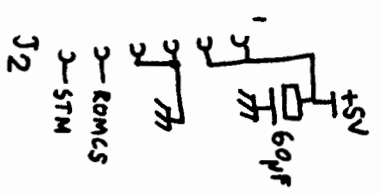
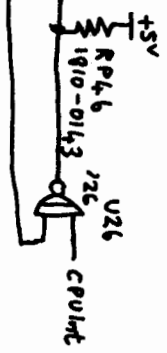
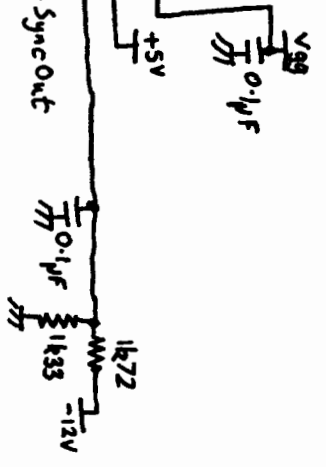
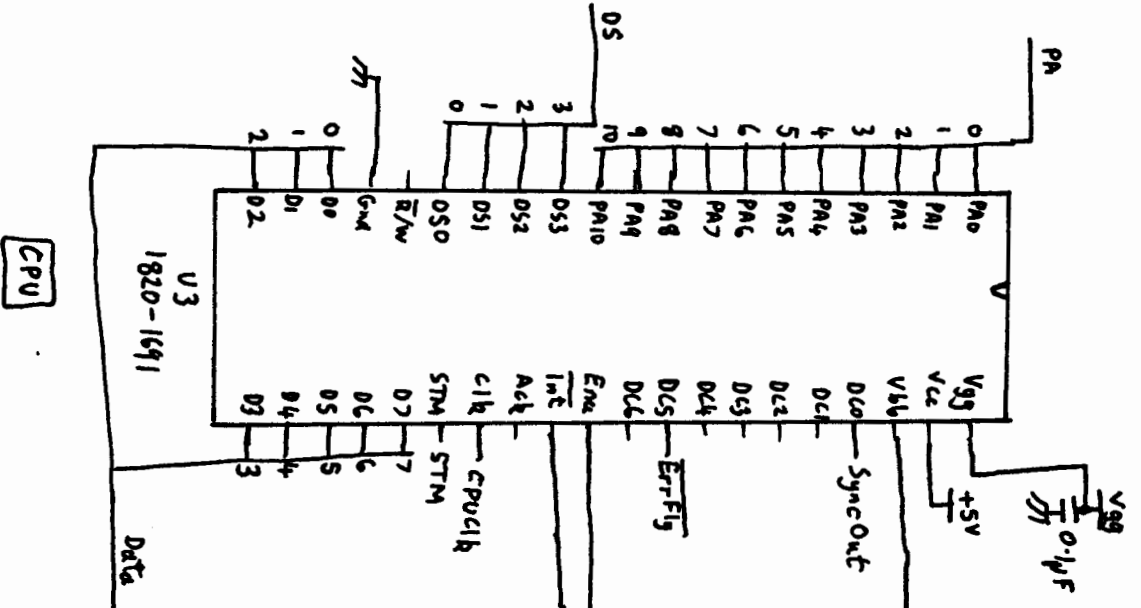
V98 Supply

Power On Reset

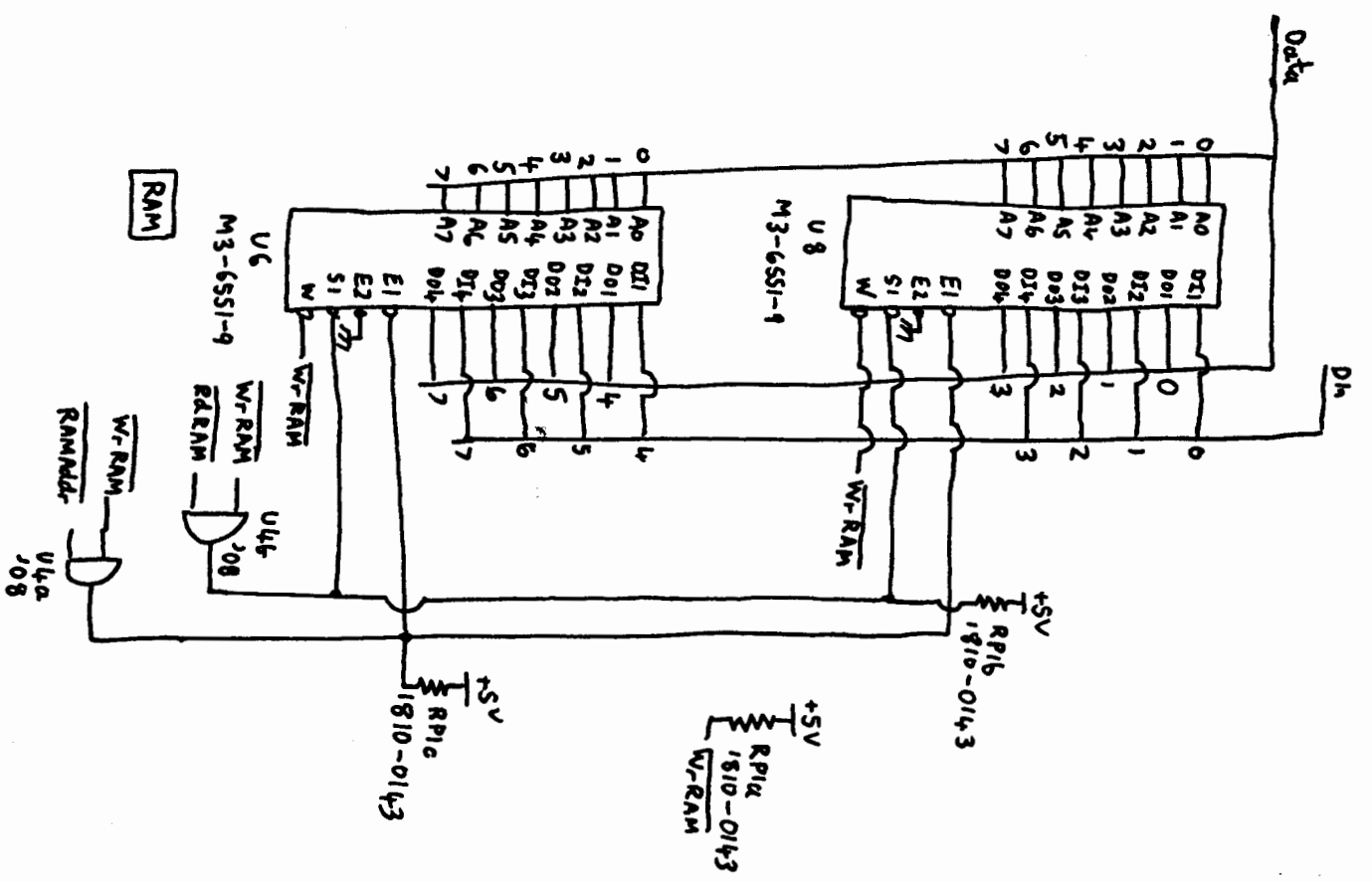
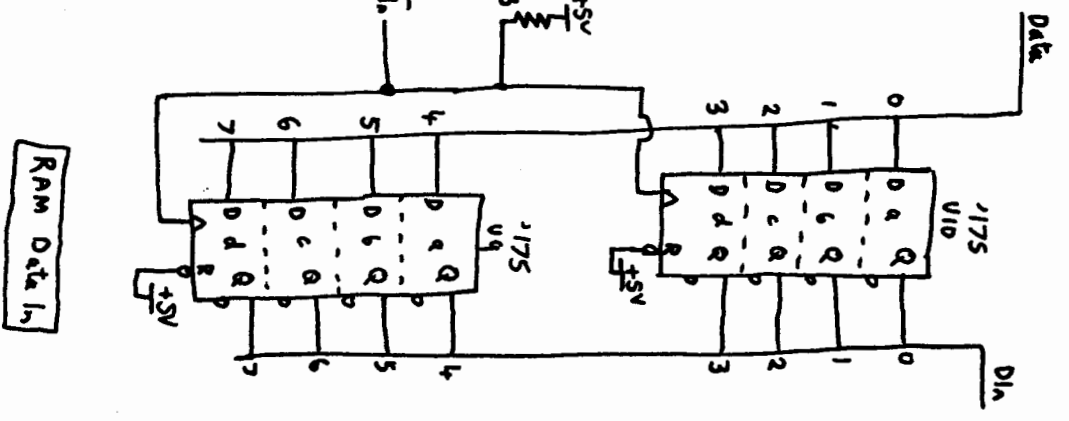
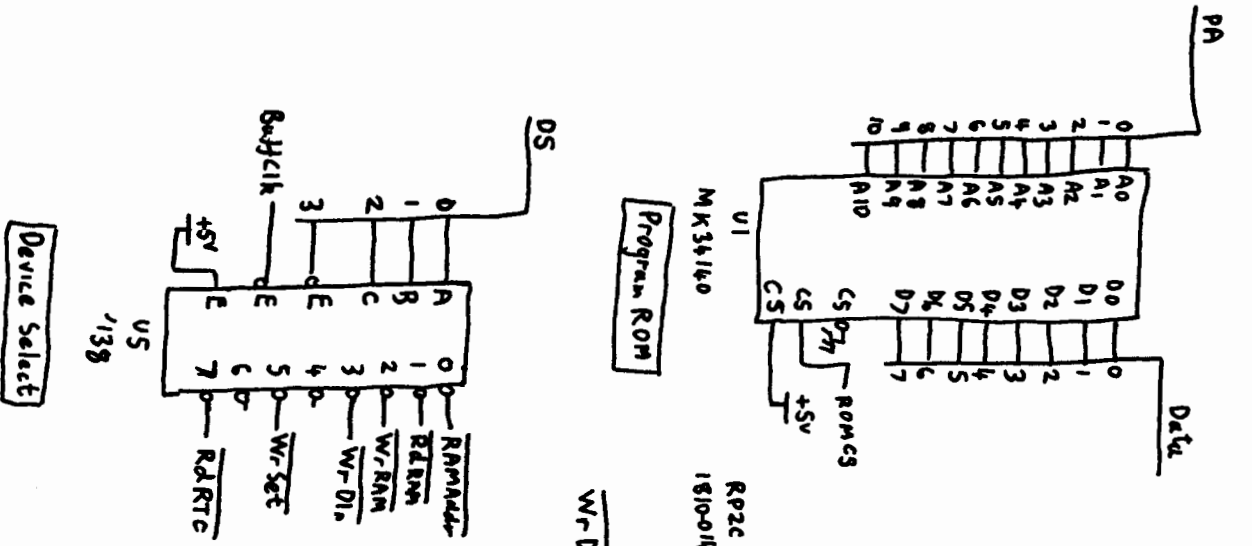
CPUInt

CPU Interrupt

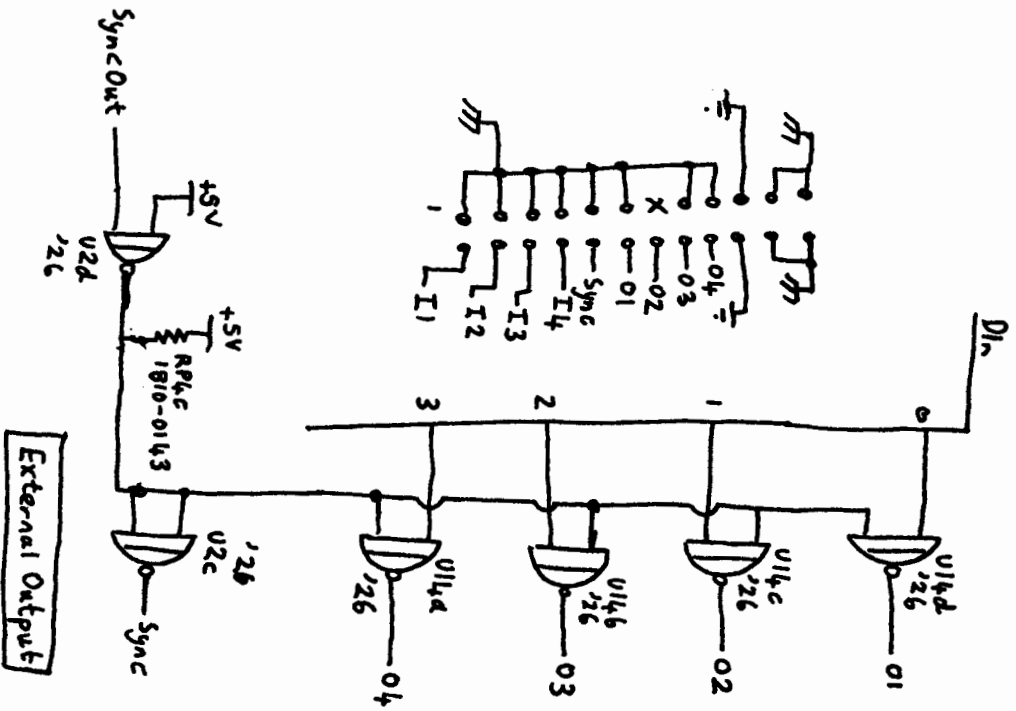
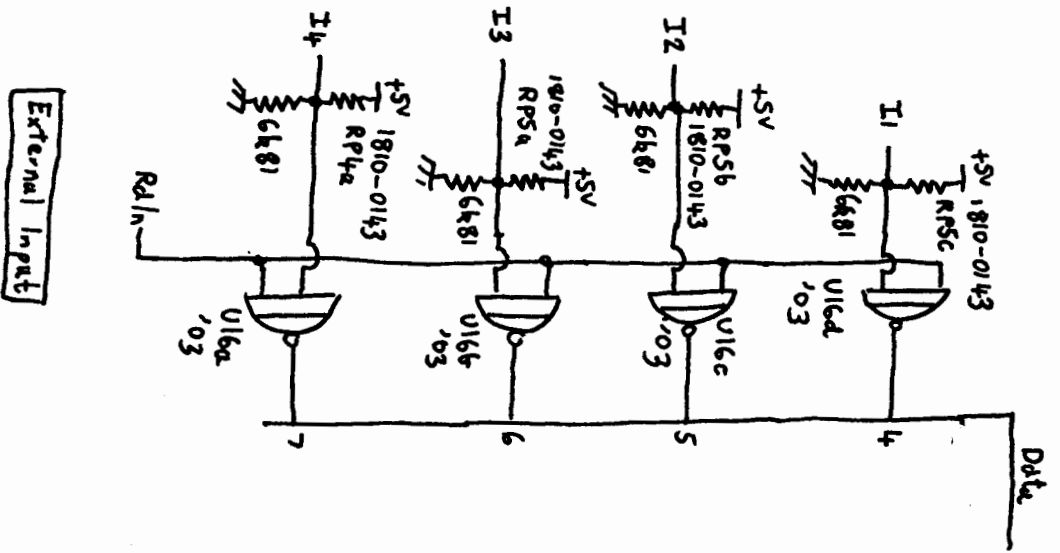
Cir-CPUInt

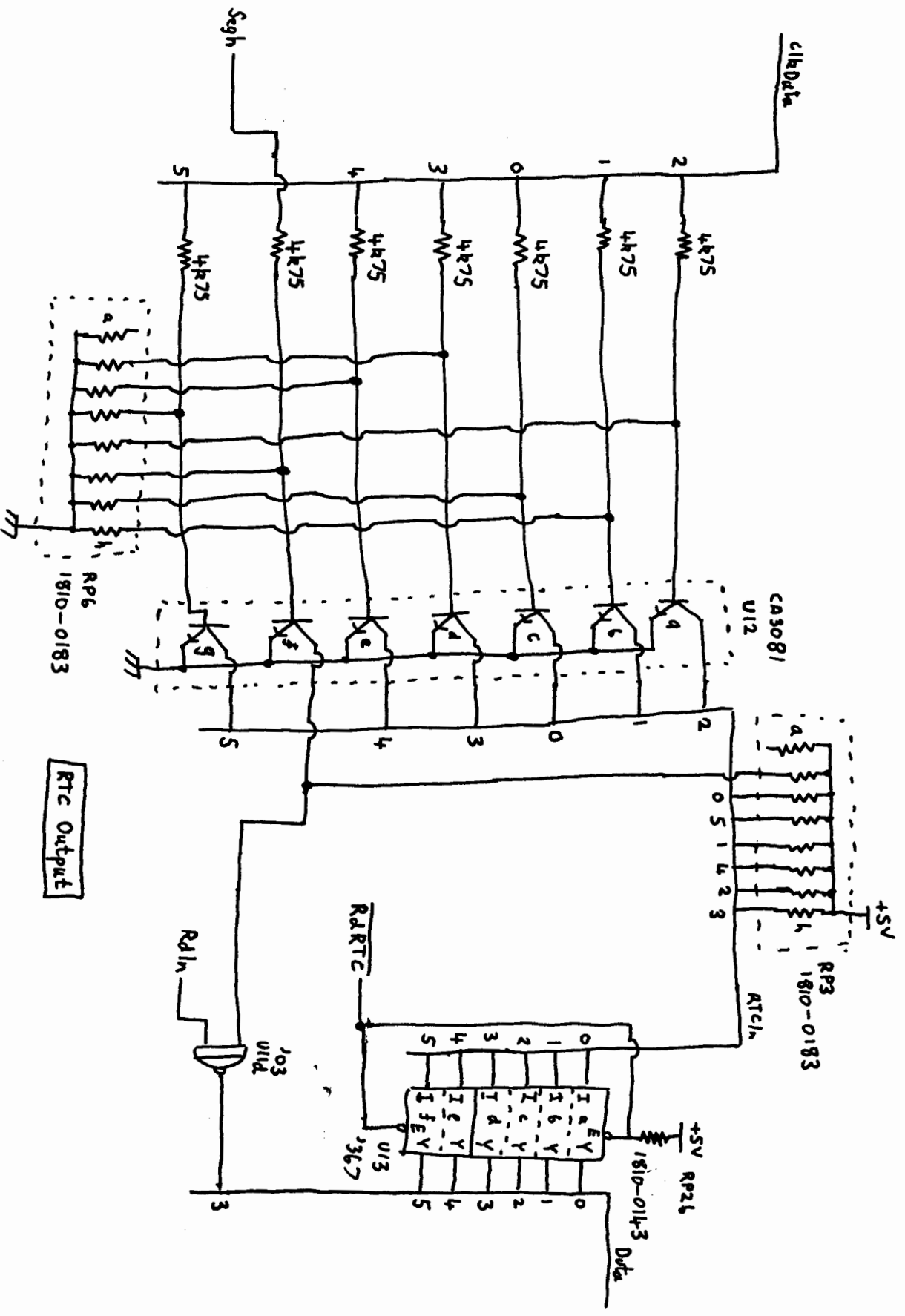


HP98035 Clock CPU PCB Skat ① 98035-66502

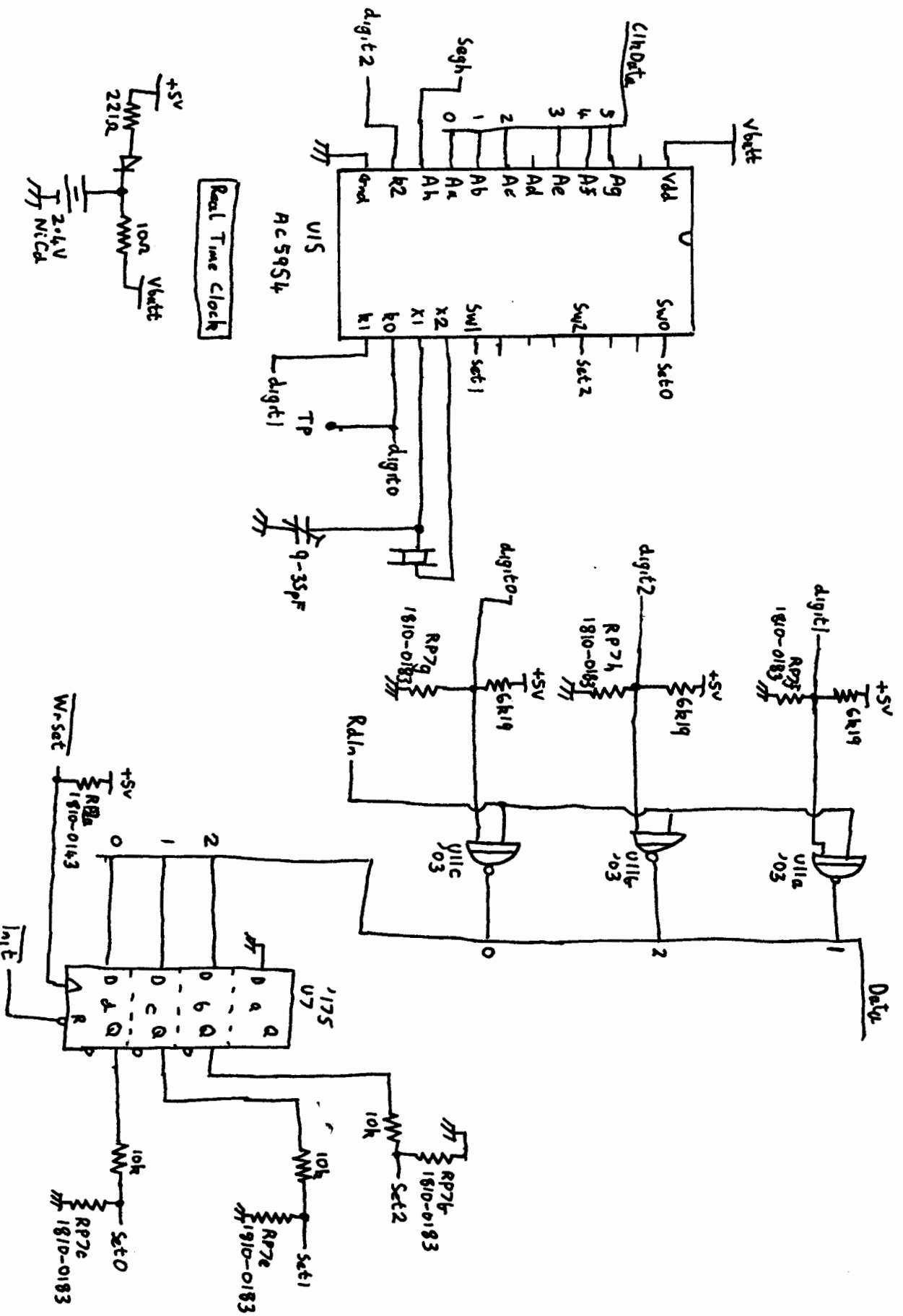


HP98035 Clock CPU PCB Sheet 2 98035-66502





HP 98035 Clock CPU PCB Sheet (4) 98035-66502



HP98035 clock CPU PCB sheet ⑤ 98035-66502