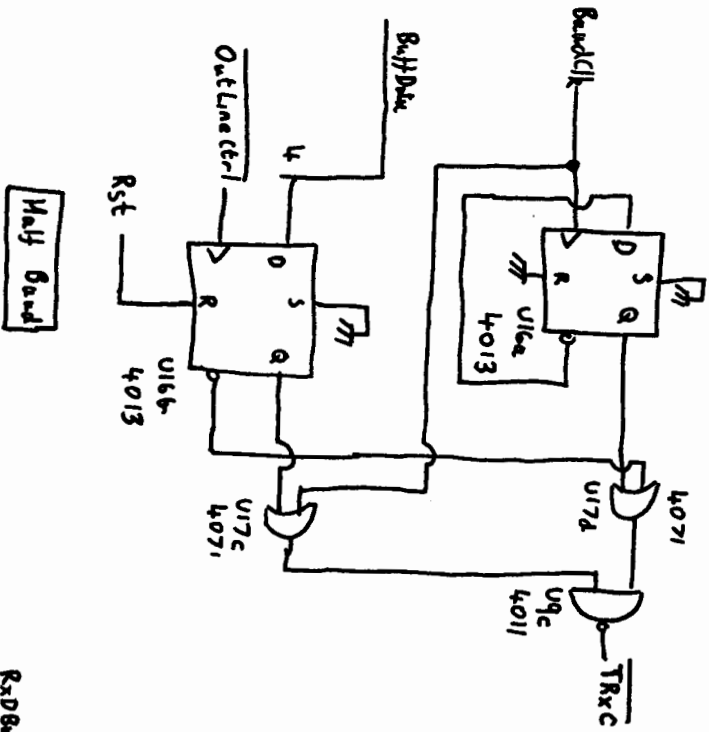
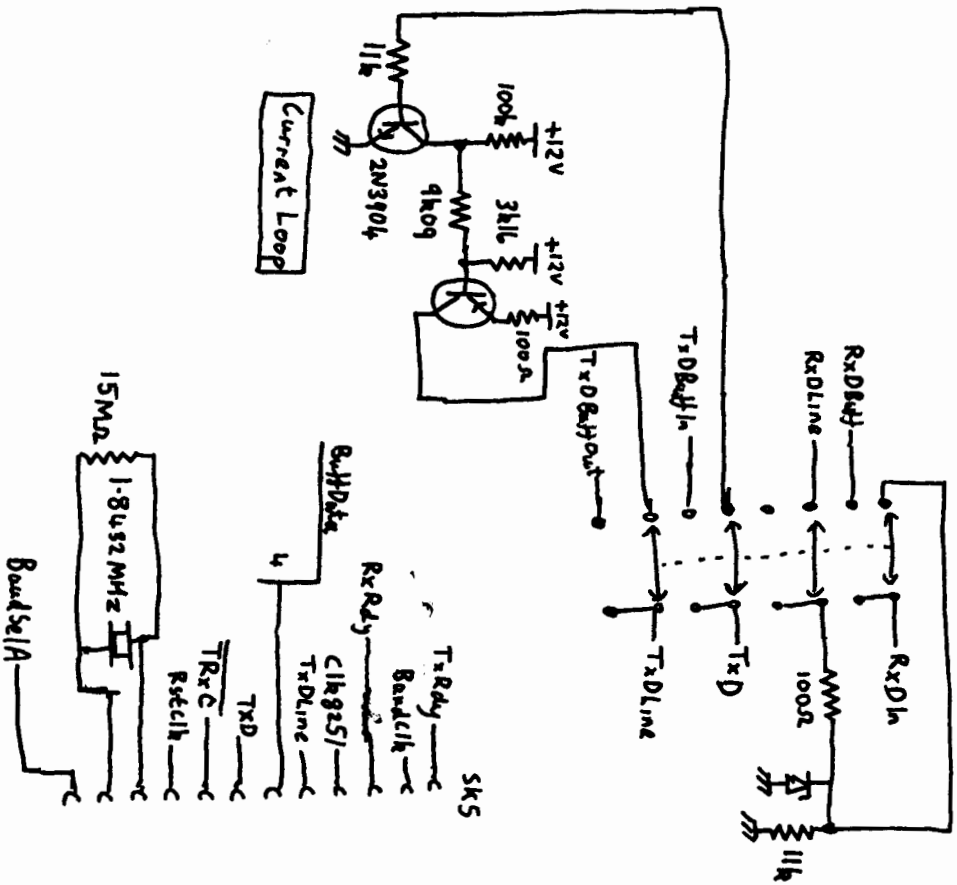


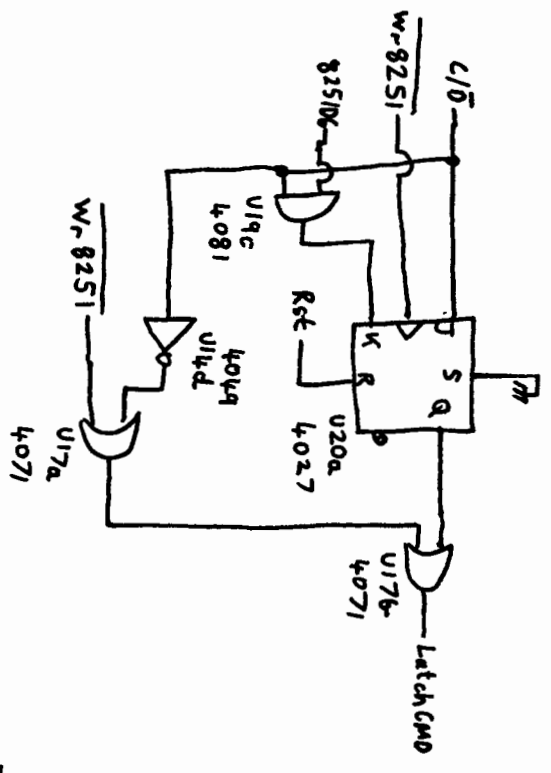
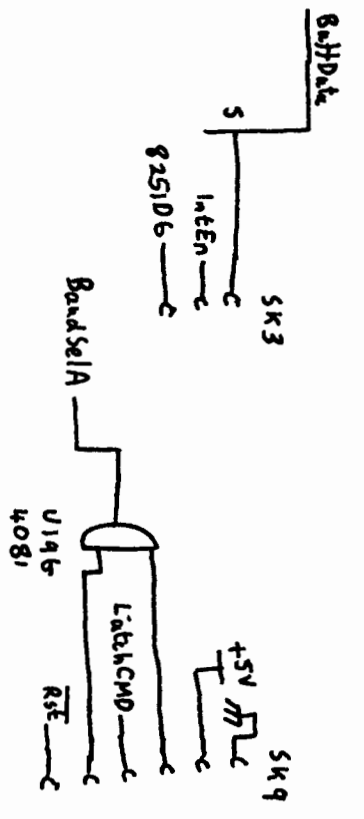
Device Select



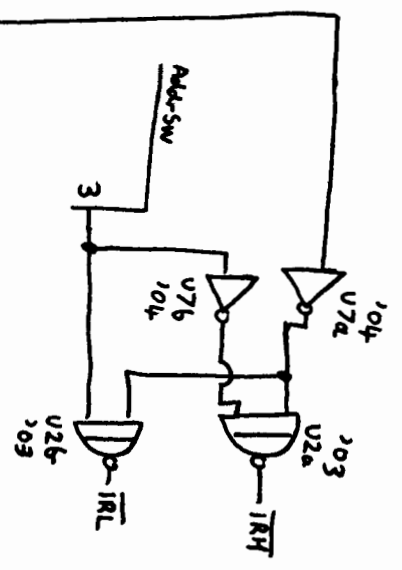
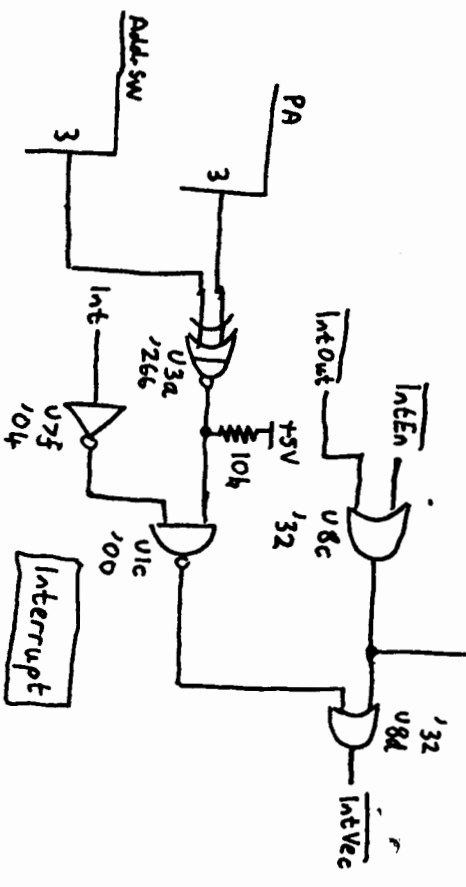
- RxD Buff — C
- RxD Line — C
- TxD Buff In — C
- RxD In — C
- TxD Buff Out — C
- SK6



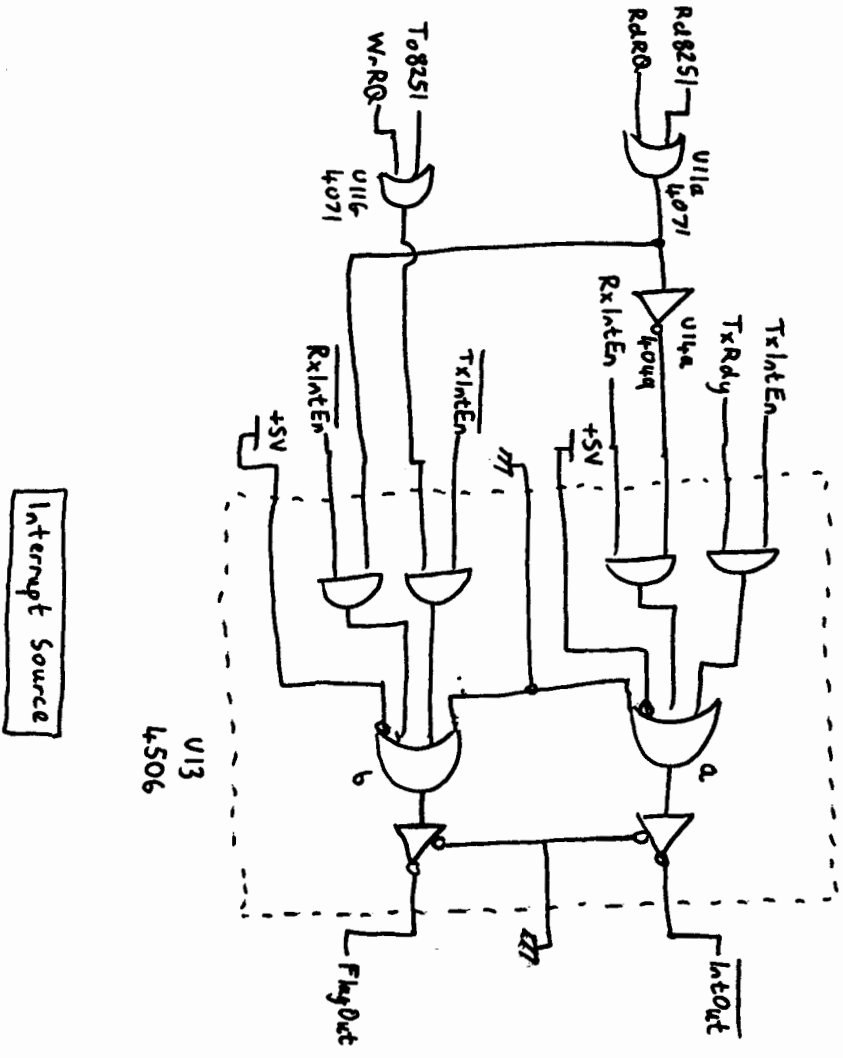
SK5



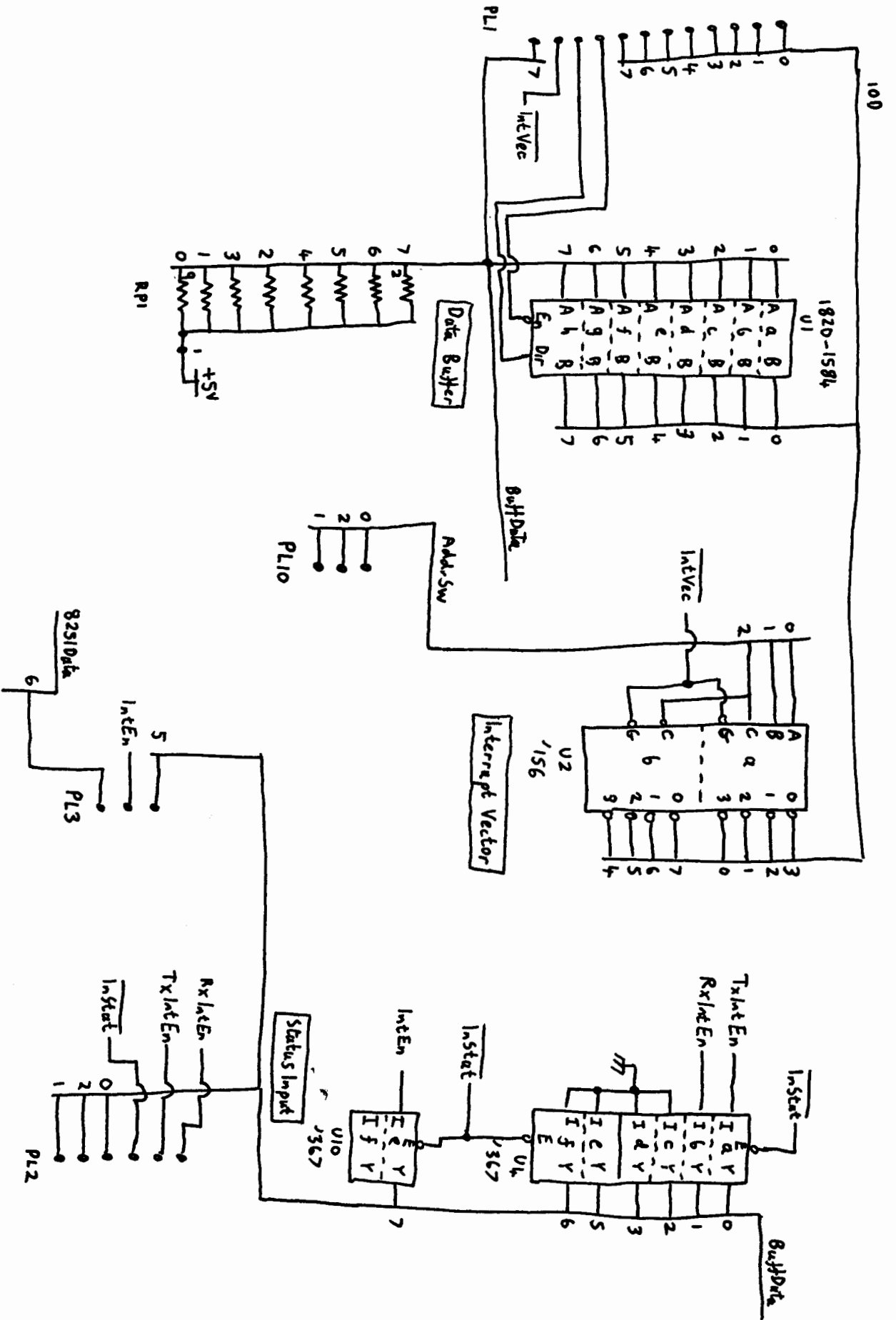
Baud Control

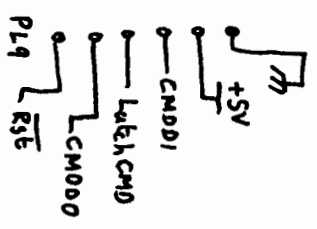
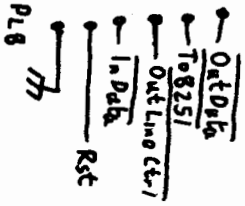
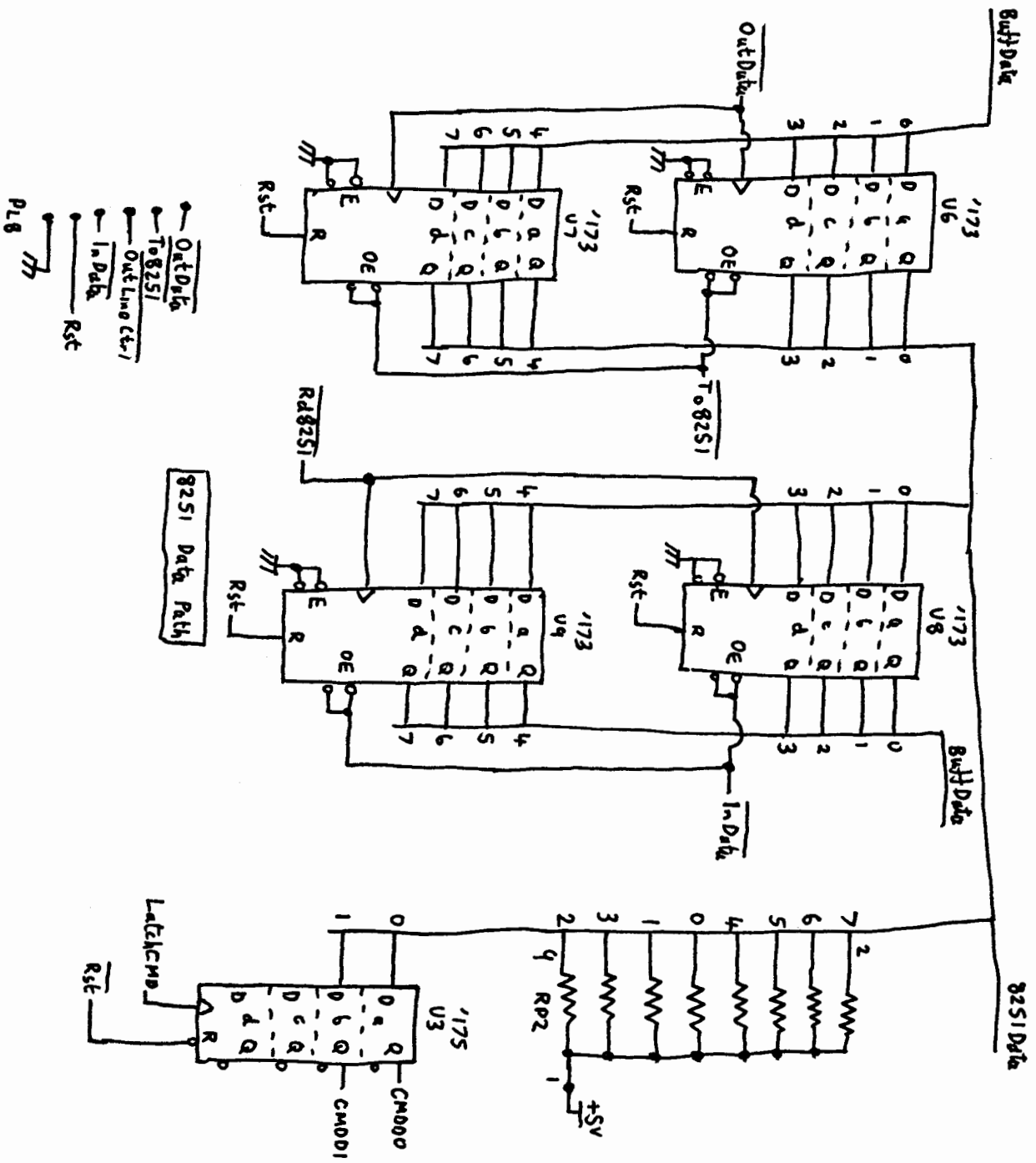


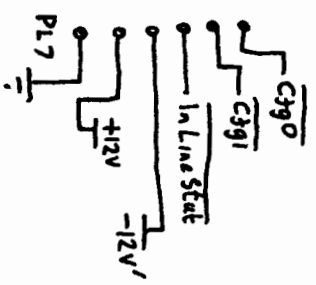
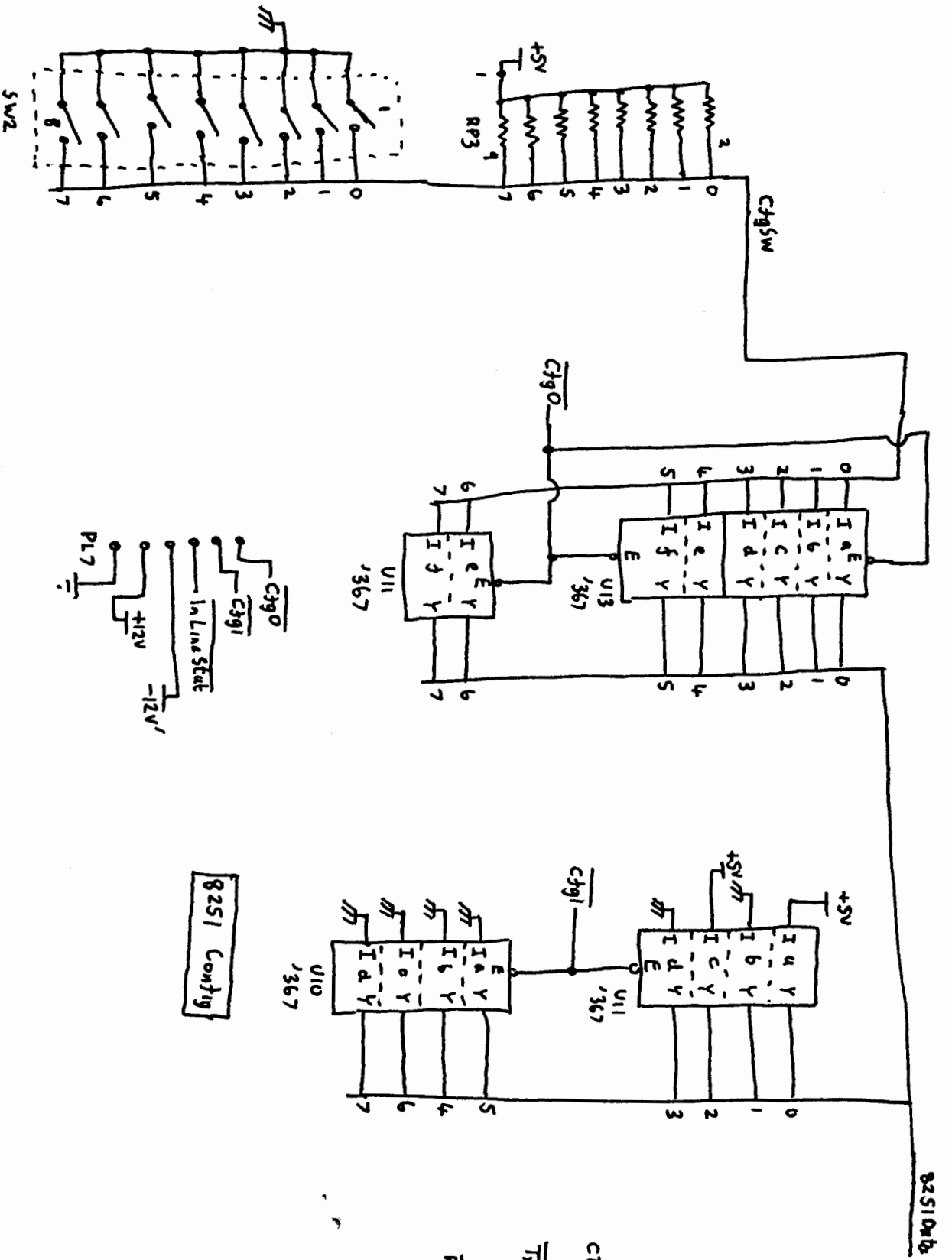
HP 98036 RS232 Interface PCB Skat 5 98 036-66501



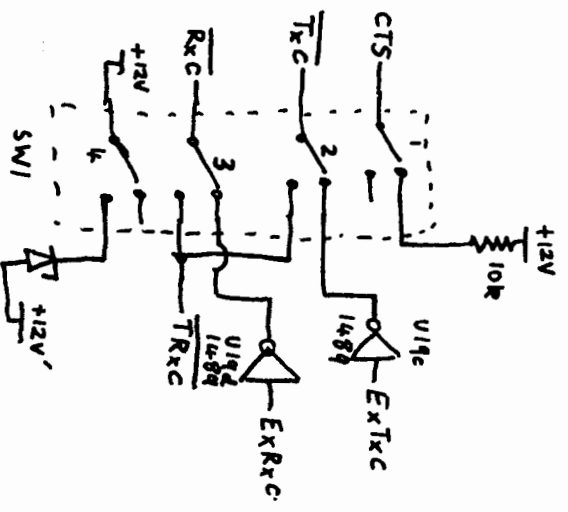
Interrupt Source

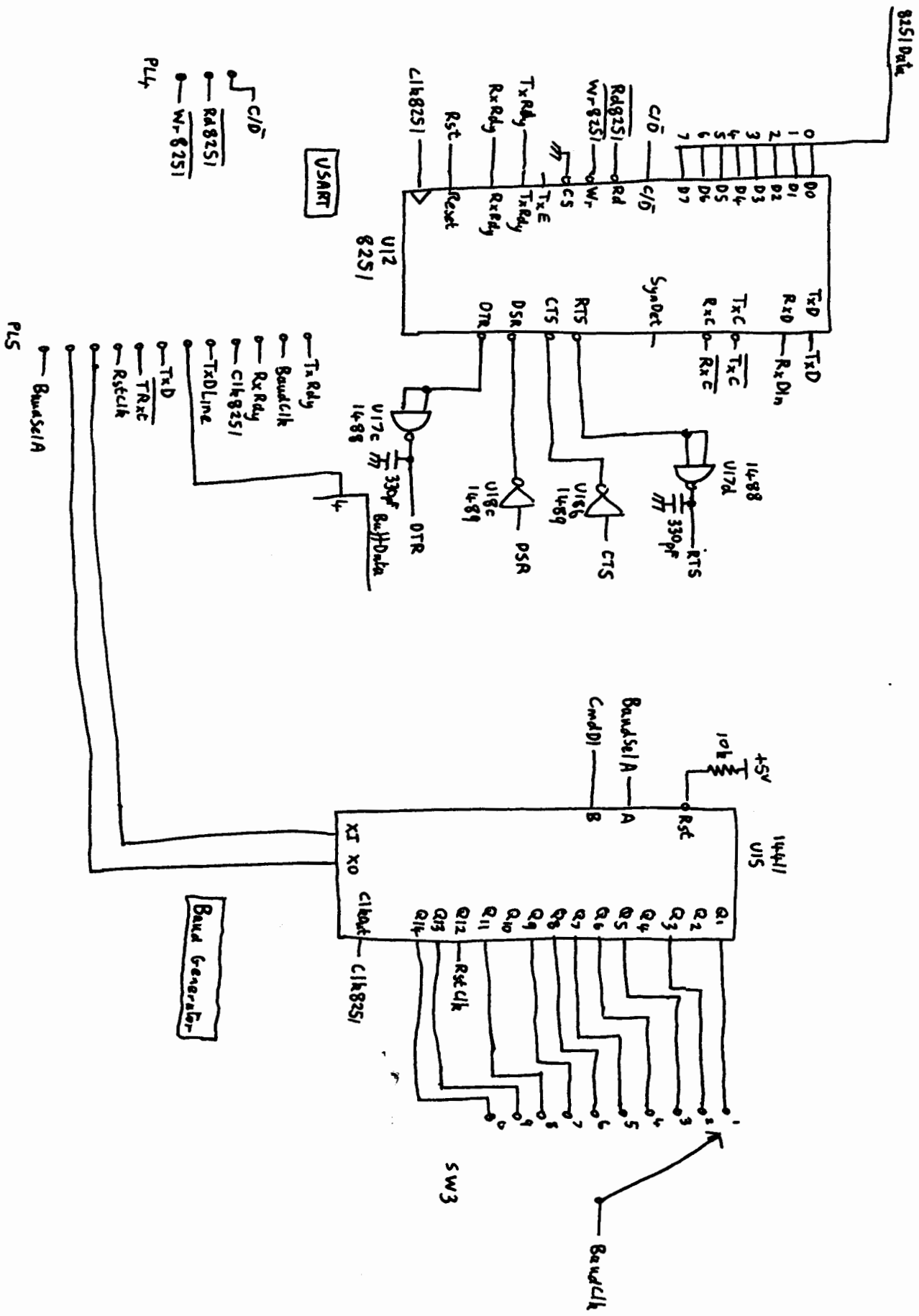






8251 Config





NP98036 RS232 Data PCB sket (4) 98036-66502

P6nd 2 Screen P6nd
 Tx0 2 Gr Rx0
 Rx0 2 R Tx0
 RTS 2 W/Bk CTS
 CTS 2 W/Gr DTR
 DSR 2 W/O RTS
 S6nd 2 W/Y S6nd
 DCD 2 W/Gn SRTS
 RT 2 Gy RS23
 L25 2 W/B/R RT
 RS11 2 W/Bu SQD
 SCD 2
 RS23 2 W/Bk/Gr SCD
 Rxc 2 Y Clk
 Txc 2
 SRTS 2 W/Gy DCD
 DTR 2 W DSR
 X

P6nd 1
 Tx0 C
 Rx0 C
 RTS C
 CTS C
 DSR C
 S6nd C
 DCD C
 SCD C
 C Clk
 C ,
 C ,

Standard

HPq8036 Cables

P6nd
 Tx0
 Rx0
 RTS
 CTS
 DSR
 S6nd
 DCD
 RT
 L25
 RS11
 SCD
 RS23
 Rxc
 Txc
 SRTS
 DTR
 X

P6nd 1
 Tx0 0
 Rx0 0
 RTS 0
 CTS 0
 DSR 0
 S6nd 0
 DCD 0
 DTR 0
 SRTS 0
 RT 0
 RS23 0
 SCD 0
 L25 0

Opt 001