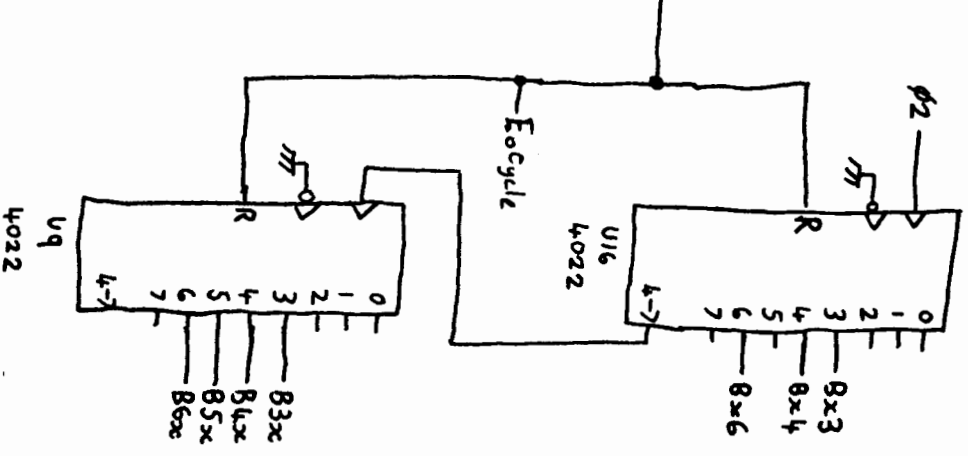
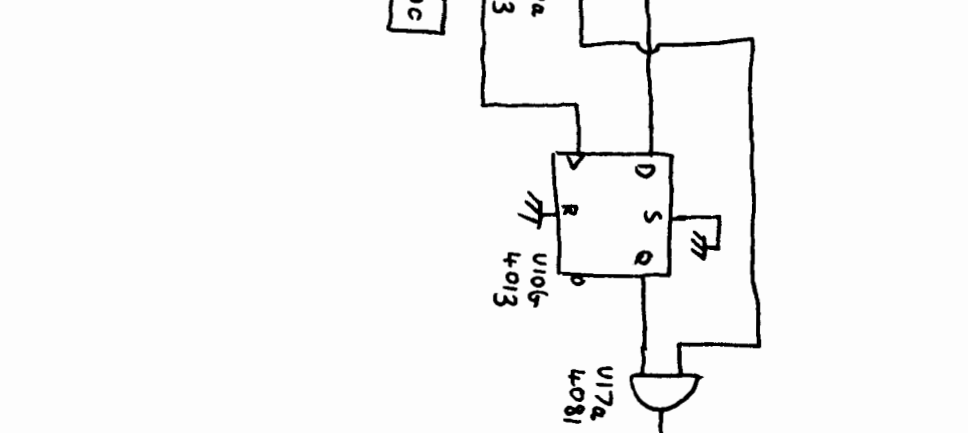
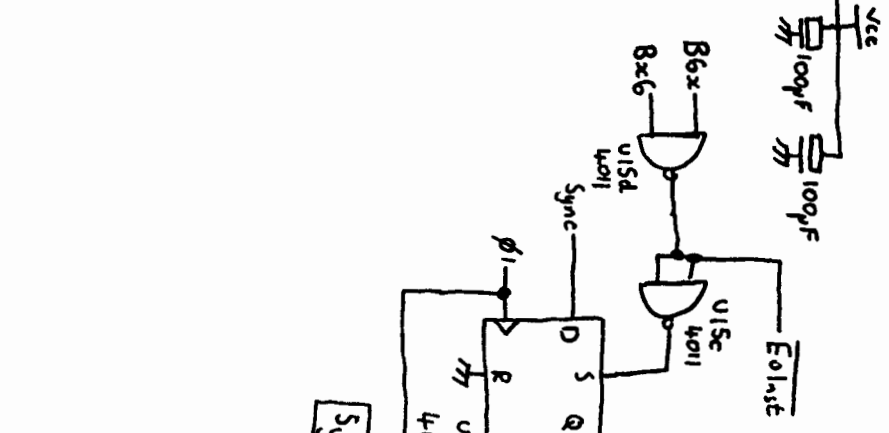
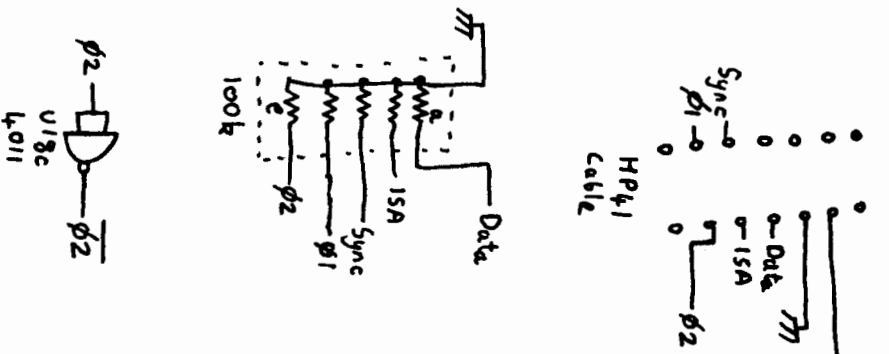


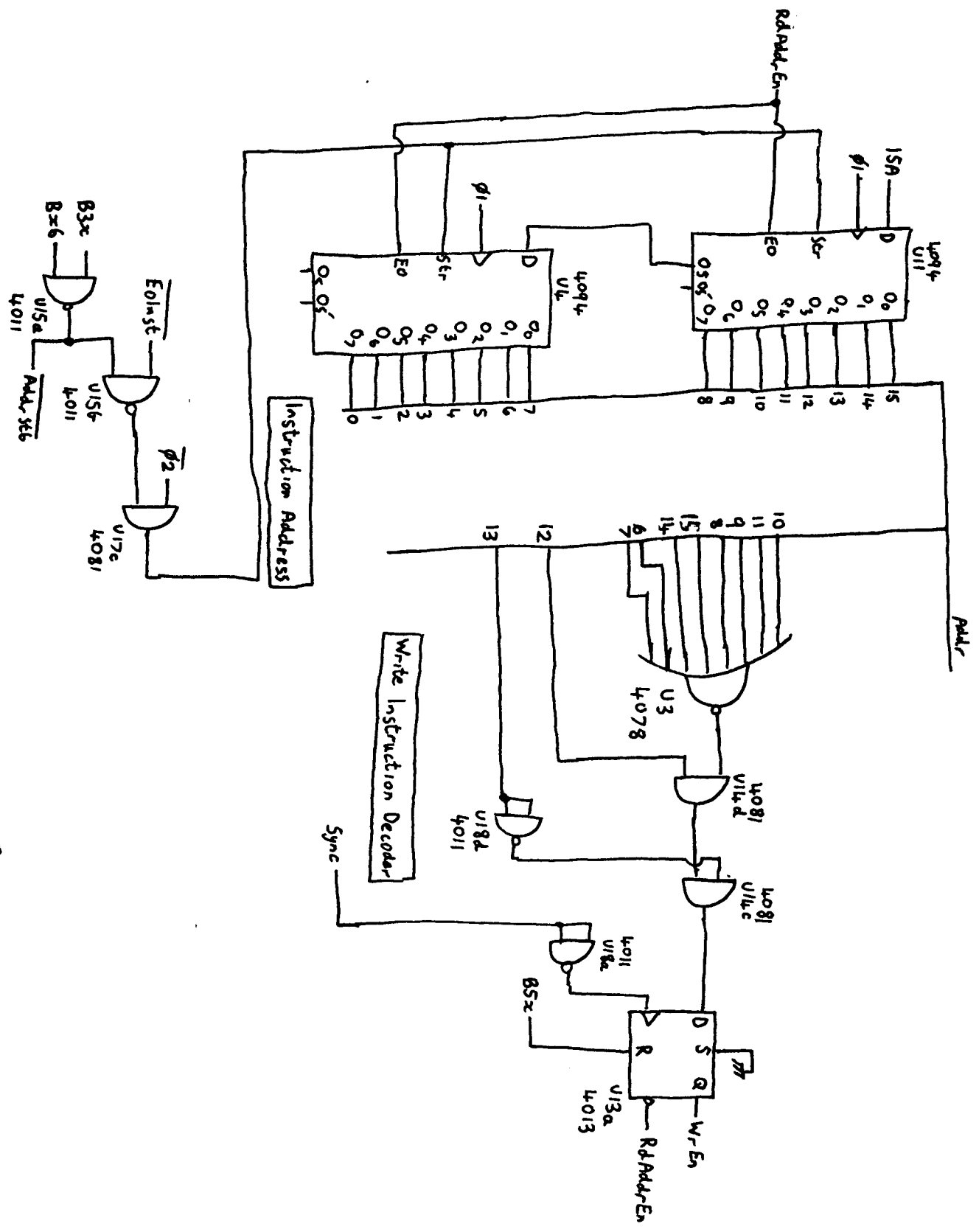
B4	0	0	Vbatt
B3	0	0	Vcc
PW0	0	0	Gnd
FI	0	0	Data
Sync	0	0	ISA
Ø1	0	0	Ø2
N/c	0	0	N/c

HP41 Cable
DIL Header

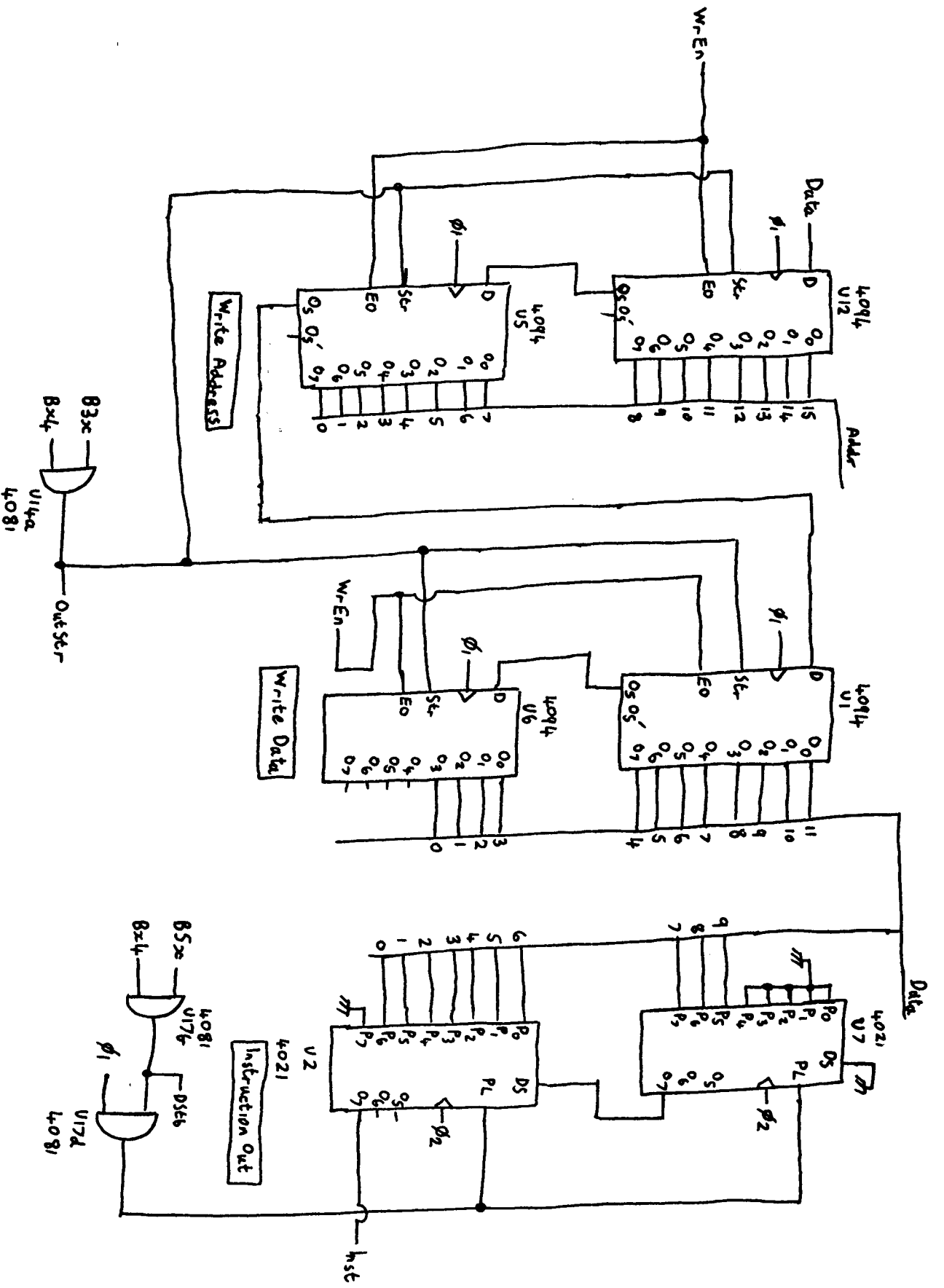
RSU Logic PCB Component Side



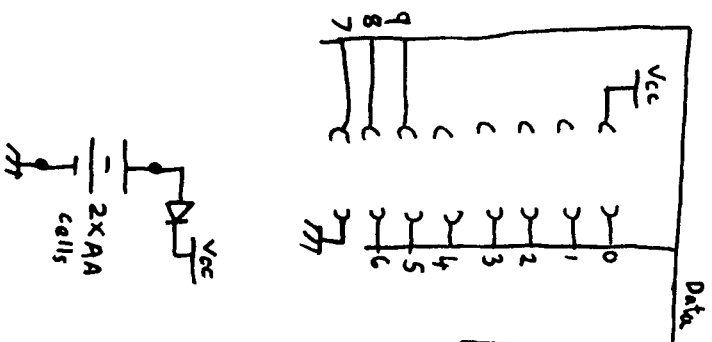
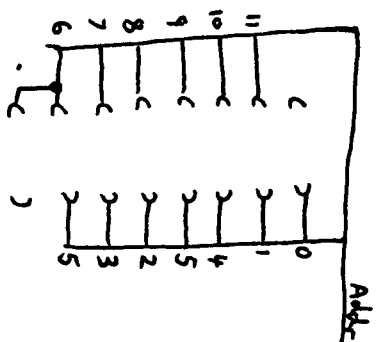
Bit Counter



RSV Logic PCB Sheet 2

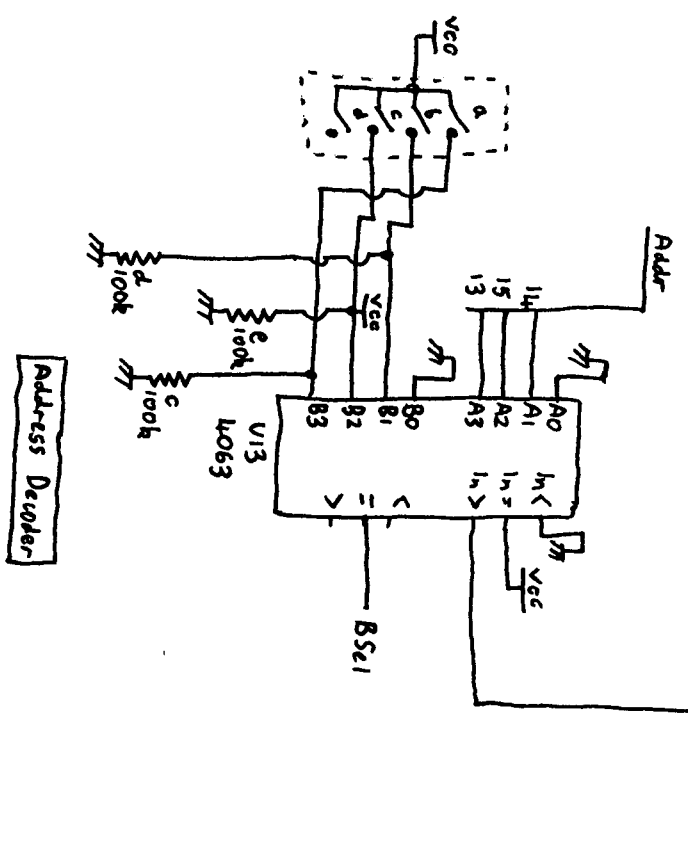
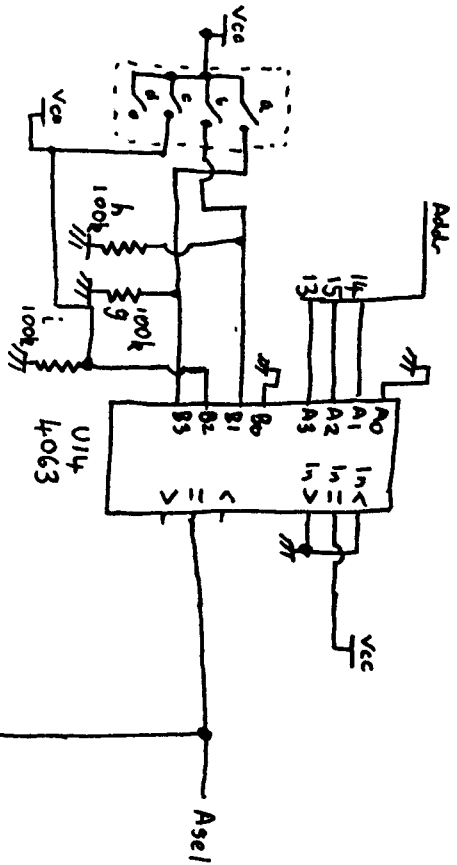
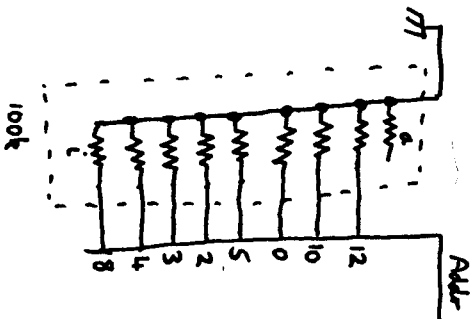


RSV Logic PCB Sheet 3

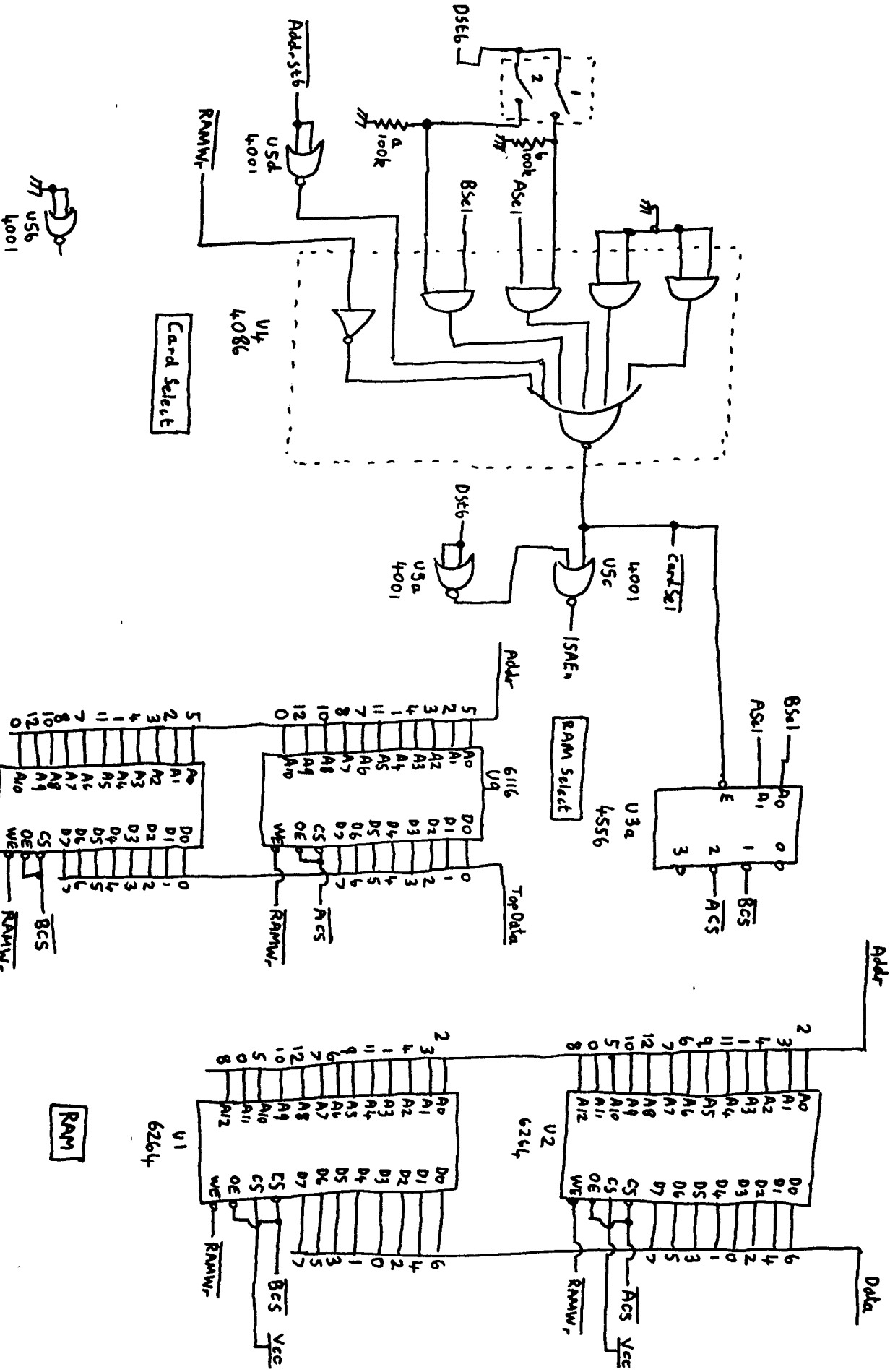


- 15 Addr
- 14
- 13
- 12
- 11 Dstb
- 10 R/W
- 9 IS/EN
- 8 Add-Setb

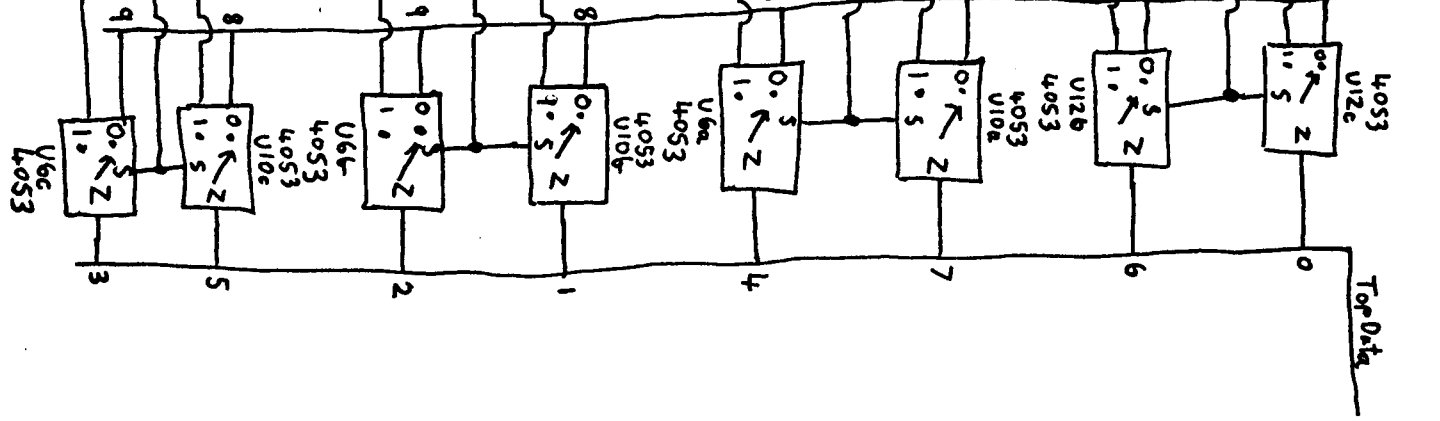
Logic PCB connectors



Address Decoder



RSU RAM PCB Sheet 2



2 bit Update

